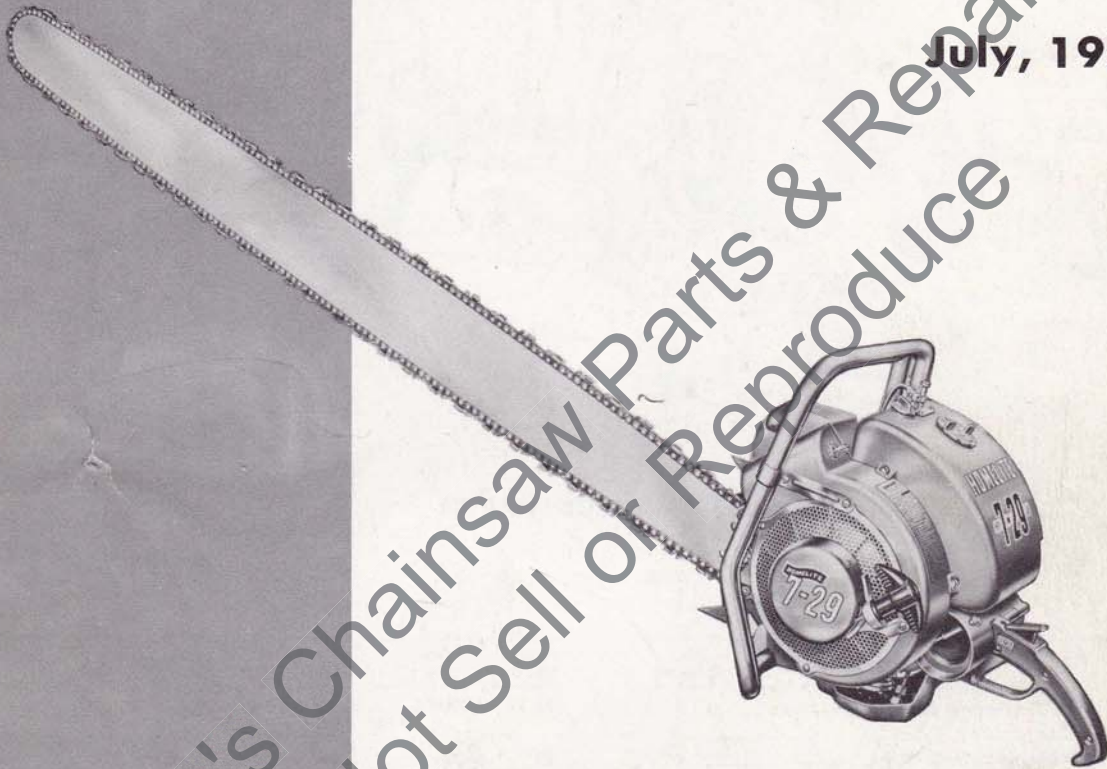


# HOMELITE

## Chain Saw

July, 1957



### PARTS LIST



Model 7-29

# HOMELITE CHAIN SAW MODEL 7-29

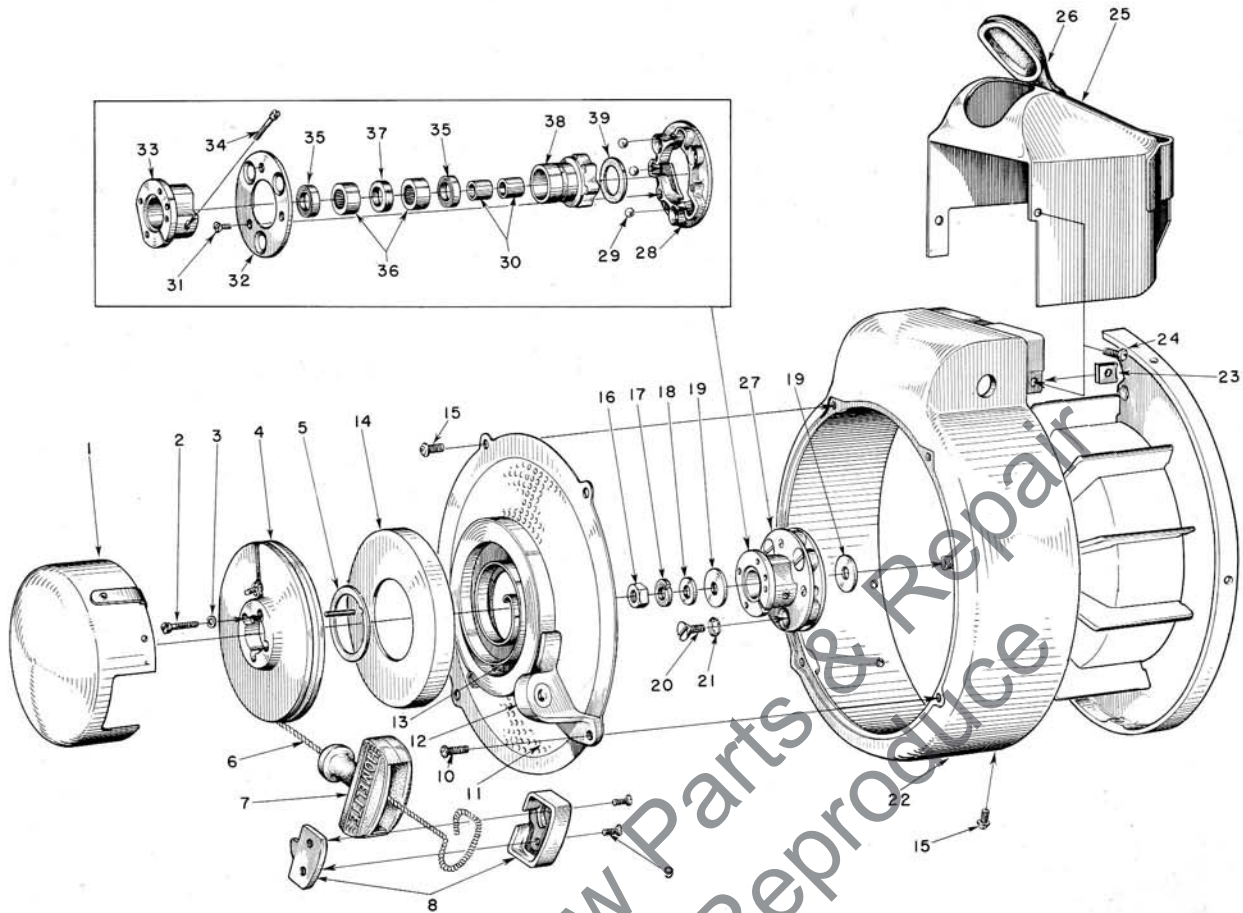


FIGURE 1—RECOIL STARTER

JULY 1957

Index No.	Part No.	Description	No. Required
1	AA-73234-1	COVER—starting pulley	1
	74846	DECAL	1
2	80475	SCREW—6-32 x 3/4 fl. hd.	4
3	83004	WASHER—#6 lock	4
4	A-55658	PULLEY—starting, w/pin	1
5	71588	SHIM—plastic	As Req.
6	55898	ROPE—starting (nylon)	1
7	55937	GRIP—starting	1
8	A-56081	INSERT—starting grip w/cover	1
		Includes	
9	80619	SCREW	2
10	80572	SCREW—10-32 x 5/8 pan hd. (through bracket)	1
11	A-74362	SCREEN—air	1
		Includes	
12	A-74361	BRACKET (with 55363-A bushing)	1
13	71470-A	SPRING—recoil	1
14	71603	COVER—spring housing	1
15	80578	SCREW—10-32 x 7/16 pan hd.	6
16	81110	NUT—7/16-20 hex jam	1
17	83019	WASHER—7/16 lock	1
18	84055	WASHER—flat alum.	1
19	71598-A	WASHER—thrust	2
20	80173	SCREW—1/4-20 x 5/8 flat hd.	3
21	83074	WASHER—1/4 countersunk lock	3

Index No.	Part No.	Description	No. Required
22	A-74474	SHROUD—air	1
		Includes	
23	81094-1	NUT—speed	2
	74475	GROMMET (not shown)	1
24	80577	SCREW—8-32 x 3/8 pan hd.	2
25	AA-73403	SHIELD—cylinder	1
26	72138	CAP—spark plug	1
27	AA-72308-1	BALL DRIVE	1
		Includes	
28	71563-C	PLATE—ball drive	1
29	30355-1	BALL—steel	3
30	74221	RACE—inner	2
31	80464	SCREW—5-40 x 5/16 flat hd.	3
	AA-72307-1	RATCHET & HUB	1
		Includes	
32	71570-B	RETAINER—ball	1
33	AA-72586	HUB—ratchet	1
		Includes	
34	72295-A	SCREW—Allen	1
	AA-72306-1	RATCHET & BEARING	1
		Includes	
35	71597	SEAL—garlock	2
36	71596	BEARING—needle	2
37	71595	WICK—felt	1
38	AA-73549	RATCHET	1
		Includes	
39	73525	WASHER—formica	1

# HOMELITE CHAIN SAW MODEL 7-29

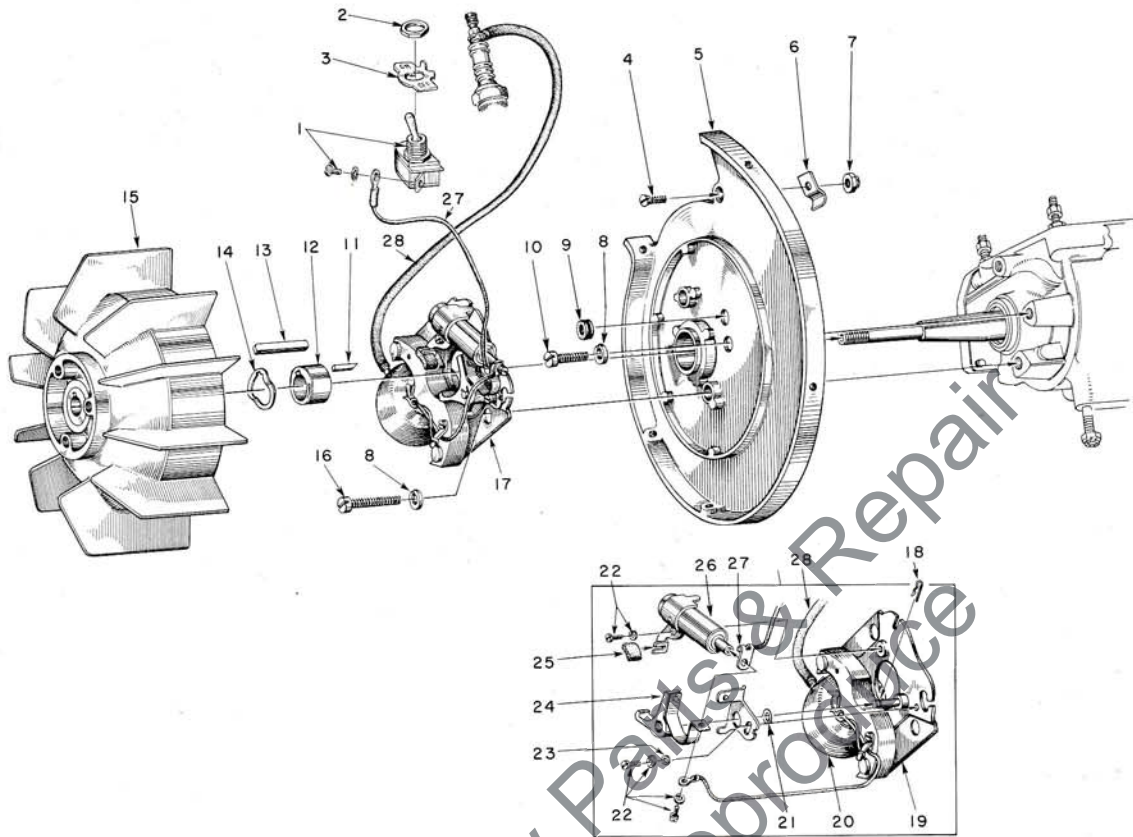


FIGURE 2 — IGNITION

JULY 1957

Index No.	Part No.	Description	No. Required
1	AA-72094-A	SWITCH—"on-off" .....	1
		Includes	
2	72084-A1	NUT .....	1
3	55879	PLATE—"on-off" .....	1
4	80031	SCREW—10-32 x 1/2 flat head .....	1
5	71989-A	PLATE—back .....	1
6	72133	CLAMP .....	1
7	81109	NUT—10-32 flex. lock .....	1
8	83009	WASHER—1/4 lock .....	3
9	71488	GROMMET .....	1
10	80055	SCREW—1/4-20 x 3/4 fil. hd. ....	1
11	71349	KEY—cam .....	1
12	72126	CAM .....	1
13	19797	KEY—rotor .....	1
14	60407	WASHER—spring .....	1
15	72129	ROTOR .....	1

Index No.	Part No.	Description	No. Required
16	80161	SCREW—1/4-20 x 1 1/8 fil. hd. ....	2
17	AA-72394	STATOR—magneto (see inset) .....	1
		Includes	
18	28008	LOCK—spring .....	1
19	72395	PLATE & CORE .....	1
20	72397	COIL—magneto .....	1
21	84061	WASHER—breaker arm .....	as req
22	72486	SCREW—(w/washer) .....	3
23	72484	WASHER—contact plate .....	1
24	72398	POINTS—(set) .....	1
		Includes	
25	30267	WICK—felt .....	1
26	72396	CONDENSER .....	1
27	AA-72399	LEAD—ground .....	1
28	AA-72400	LEAD—high tension .....	1

# HOMELITE CHAIN SAW MODEL 7-29

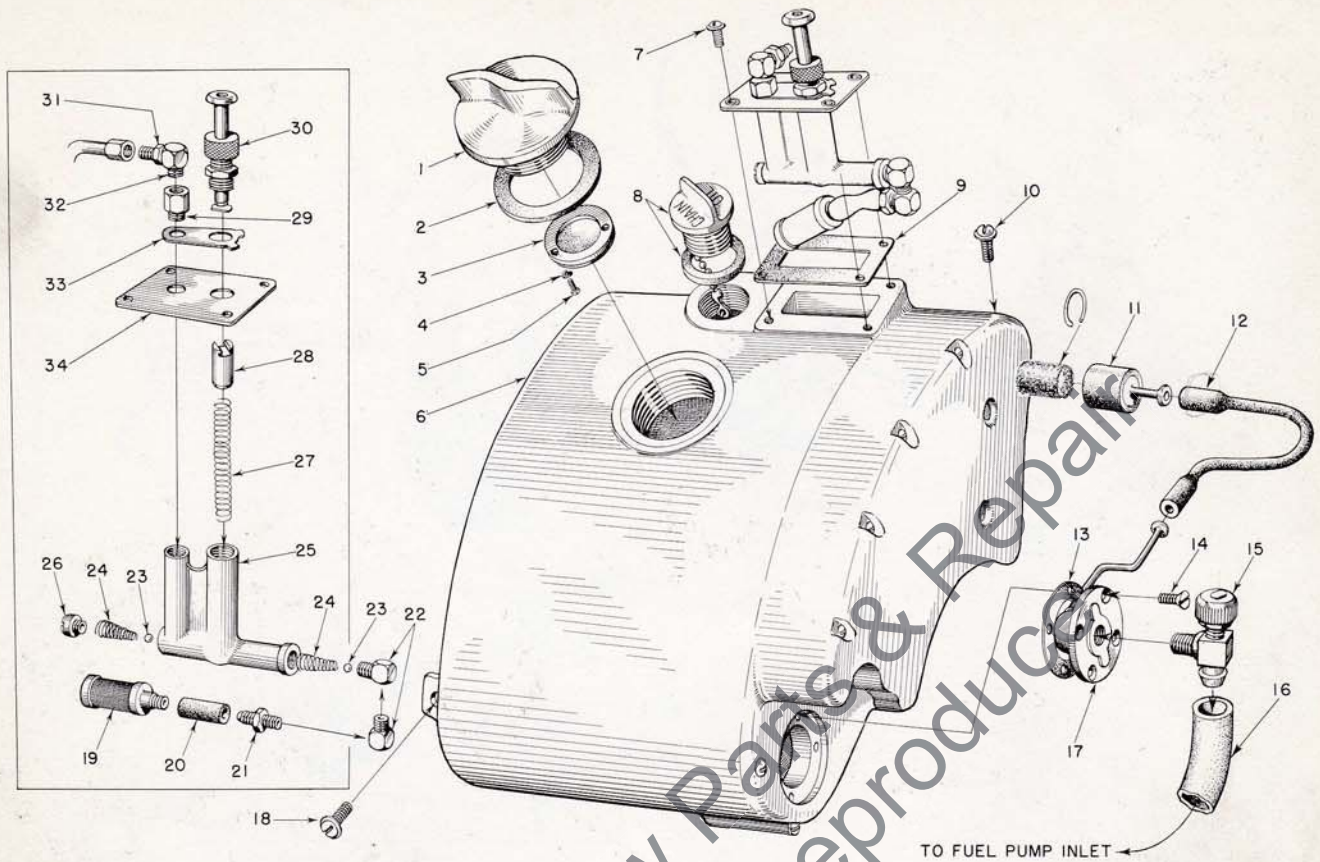


FIGURE 3—FUEL TANK

JULY 1957

Index No.	Part No.	Description	No. Required	Index No.	Part No.	Description	No. Required
1	A-55305	FUEL CAP	1	15	55738	VALVE—shut-off	1
		Includes		16	74919	FUEL LINE—(to fuel pump inlet)	1
2	72173	GASKET—fuel cap	1	17	A-74704	FITTING—outlet (w/tube)	1
3	A-55301-B	VALVE—relief	1	18	80572	SCREW—10-32 x 5/8 pan hd.	2
4	83083	WASHER—#3 lock	3	AA-72177-1	OIL PUMP—(see inset at left)	1	
5	80592	SCREW—3-48 x 1/4	3		Includes		
6	A-74498	FUEL TANK	1	19	AA-72178	TUBE and SCREEN	1
	74845	DECAL	1	20	73693	SLEEVE—rubber	1
7	80571	SCREW—6-32 x 3/8 pan hd.	4	21	31733-1	ADAPTER—straight	1
8	AA-71655-1	OIL CAP	1	22	31734	CONNECTOR—90° elbow	2
		Includes		23	25527-1	BALL—check	2
	72280	GASKET	1	24	71760	SPRING—check valve	2
9	71551	GASKET—lubricator cover	1	25	71761	BODY—pump	1
10	80583	SCREW—10-32 x 3/4 pan hd.	1	26	71759	SCREW—plug	1
11	A-74375	STRAINER—outlet	1	27	71762	SPRING—plunger	1
		Includes		28	A-74406	TUBE—plunger w/74388 "o" ring	1
	74374	FILTER—felt	1	29	71765	ADAPTER—connector	1
	74380	SNAP RING	1	30	71764	BUTTON—plunger	1
12	55805	SLEEVE—flexible	1	31	31733-1	ADAPTER—straight (to oil line)	1
13	72174	GASKET—outlet fitting	1	32	31734	CONNECTOR—90° elbow	1
14	80451	SCREW—6-32 x 3/8 flat hd.	4	33	72681	PLATE—pump locking	1
				34	71550	COVER—lubricator body	1

# HOMELITE CHAIN SAW MODEL 7-29

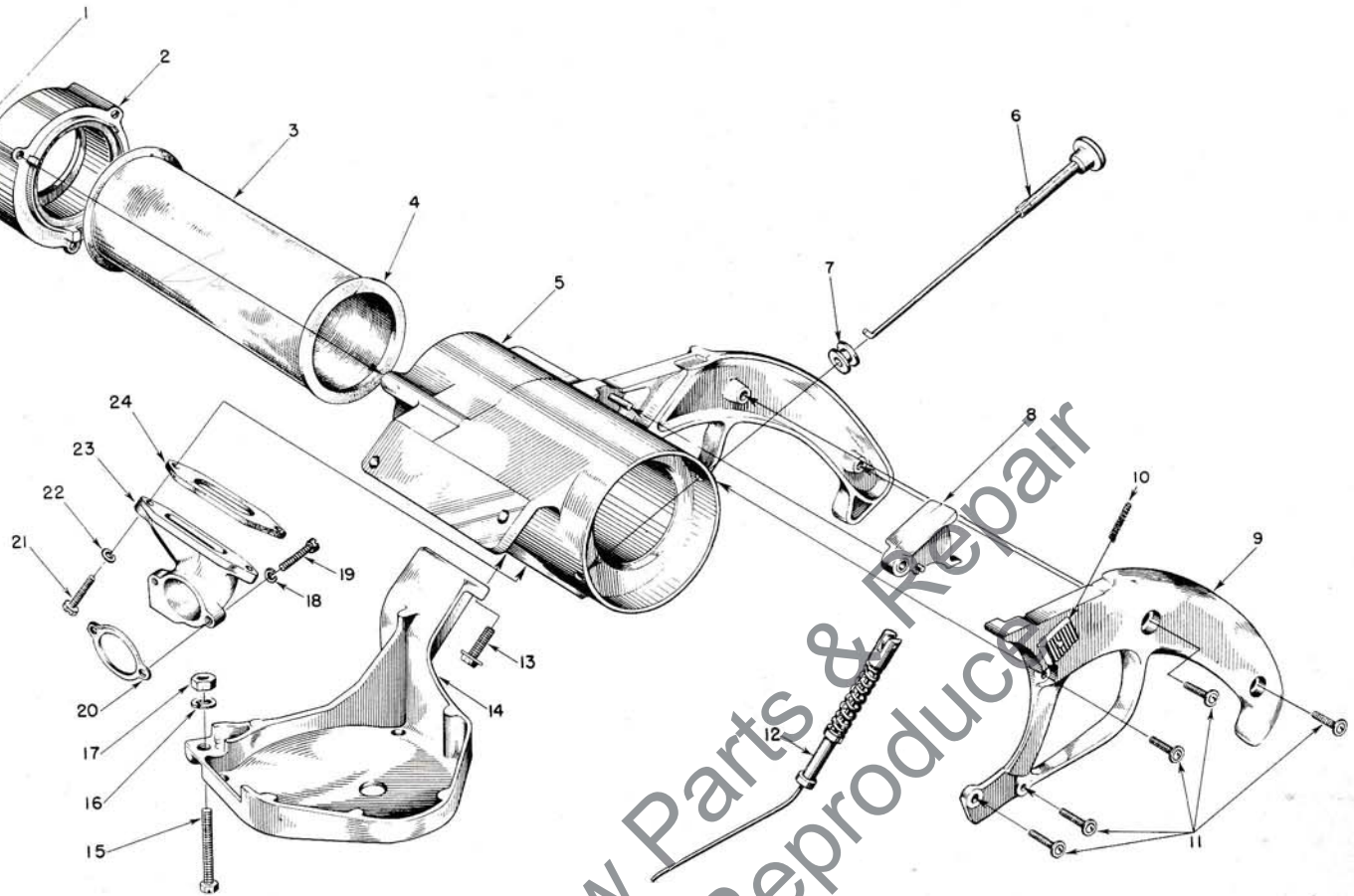


FIGURE 4 — PISTOL GRIP

JULY 1957

Index No.	Part No.	Description	No. Required
1	80633	SCREW—8-32 x 2 spinlock .....	3
2	A-74491	COVER—air filter (includes gasket) .....	1
	74492	GASKET—air filter cover .....	1
3	A-74490	FILTER—air .....	1
		Includes	
4	72967	GASKET—air filter .....	2
5	AA-73410	GRIP—pistol .....	1
6	AA-73392	ROD—choke .....	1
7	S-1007-1	GROMMET .....	1
8	AA-73055	TRIGGER—throttle .....	1
9	AA-73056	COVER—pistol grip .....	1
		Includes	
10	AA-73448	LOCK—throttle .....	1
		Includes	
	72970	SPRING—throttle lock .....	1

Index No.	Part No.	Description	No. Required
11	80560	SCREW—8-32 x 1/2 .....	5
12	A-73804	SHAFT—throttle .....	1
13	80581	SCREW—1/4-20 x 5/8 hex. hd. ....	2
14	72859	GUARD—carburetor .....	1
15	80180-1	BOLT—1/4-20 x 1 1/2 hex. hd. ....	1
16	83009	WASHER—1/4 lock .....	1
17	81013	NUT—1/4-20 hex. ....	1
18	83000	WASHER—#8 lock .....	2
19	80023	SCREW—8-32 x 5/8 fl. hd. ....	2
20	72971	GASKET—carburetor intake .....	1
21	80566	SCREW—10-32 x 7/8 hex. hd. ....	2
22	83046	WASHER—#10 lock .....	2
23	72856-1	ELBOW—air cleaner .....	1
24	72995	GASKET—air elbow .....	1

# HOMELITE CHAIN SAW MODEL 7-29

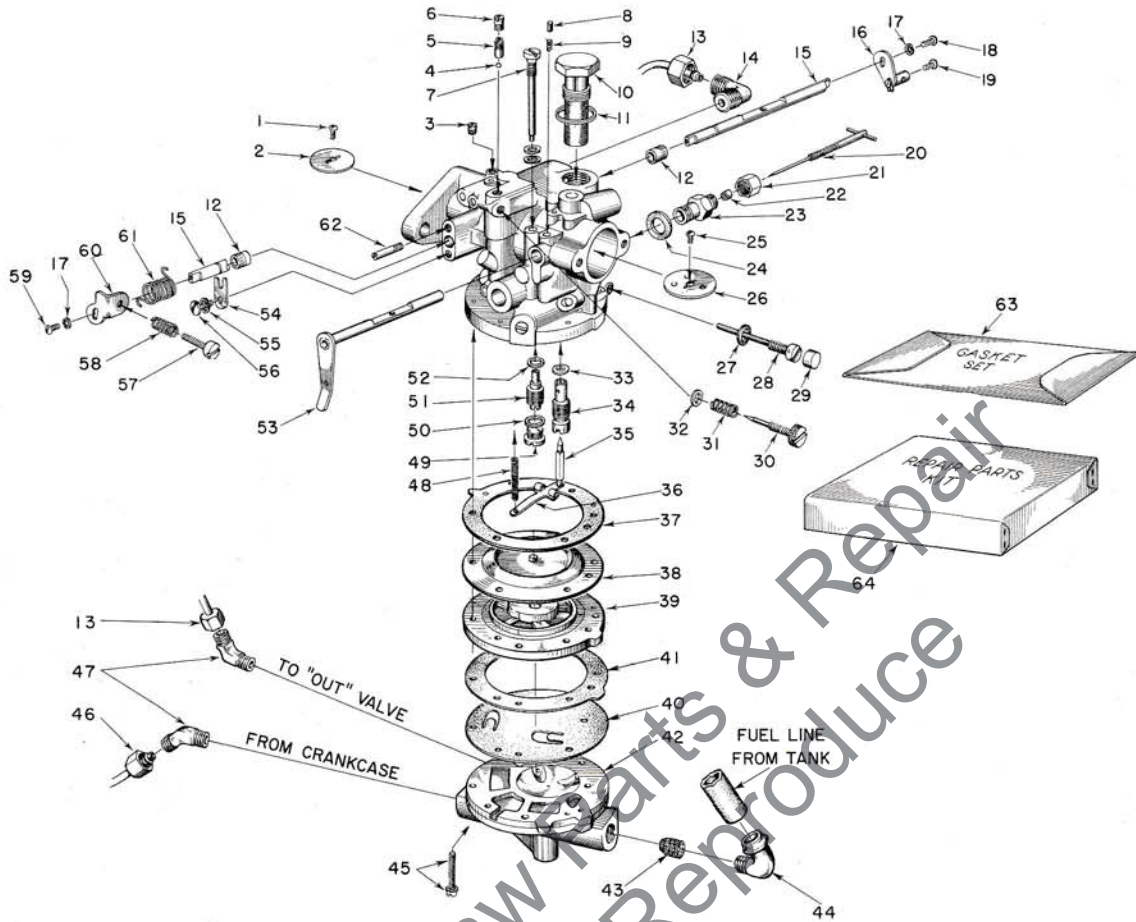


FIGURE 5 — TILLOTSON CARBURETOR PARTS

Index No.	Part No.	Description	No. Required	Index No.	Part No.	Description	No. Required
	A-74576	CARBURETOR (Till. Model HP 198)	1	32	†28130	WASHER—flat	1
		Includes			†73078	NEEDLE and SEAT	1
1	†71519	SCREW—throttle	1			Includes	
2	73272	SHUTTER—throttle	1	33	55344	GASKET	1
3	73067	SCREW—plug	1	34	*	SEAT	1
4	†60051	BALL—check	1	35	*	NEEDLE	1
5	†73424	SEAT—idle check valve	1	36	†73079	LEVER—inlet control	1
6	71516	SCREW—plug	2	37	73071	GASKET—main diaphragm	1
7	†AA-73615	SCREW (includes copper washers)	1	38	†73070	DIAPHRAGM—main	1
	73616	WASHER (included with index No. 7)	2	39	74864-1	COVER—diaphragm	1
8	71494	PIN—choke friction	1	40	†74865	DIAPHRAGM—fuel pump	1
9	73264	SPRING—choke friction	1	41	74962	GASKET—fuel pump	1
10	73077	SCREEN—inlet connection	1	42	A-77134	BODY—fuel pump	1
11	73266	GASKET—inlet	1			Includes	
12	72812	BUSHING	2	43	†74867	SCREEN—fuel inlet	1
13	A-73763-A	SUPPLY LINE (pump to carb. inlet)	1	44	74917	ELBOW—fuel inlet connection	1
14	S-740	ELBOW	1	45	†55316	SCREW—long, with washer	6
15	73831	SHAFT—throttle	1	46	A-73765-A	*LINE—activator (from crankcase)	1
16	†73832	LEVER—throttle shaft	1	47	73865	ELBOW—45°	2
17	†83008	WASHER—lock	2	48	†73082	SPRING—inlet control	1
18	†71521	SCREW	1	49	†73085	SCREW	1
19	†28048	SCREW—set	1	50	73425	GASKET	1
	AA-73269	SCREW—main adjusting	1	51	†73084	NOZZLE—main	1
		Includes		52	74060	GASKET	1
20	†73083	SCREW	1	53	73423	LEVER—choke	1
21	28058	NUT	1	54	73086	CLIP	1
22	15037	PACKING	1	55	83000	WASHER—lock	1
23	28057	GLAND	1	56	73088	SCREW	1
24	28055	GASKET	1	57	†71509	SCREW—idle stop	1
25	80012	SCREW—choke shutter	1	58	†28064	SPRING—idle stop	1
26	74718	SHUTTER—choke	1	59	†71521	SCREW—(same as index No. 18)	1
27	73268	GASKET	1	60	71520	LEVER—throttle stop	1
28	†73080	SCREW	1	61	†71518	SPRING—throttle retaining	1
29	73267	CAP	1	62	73427	PIN—throttle stop	1
30	†73074	SCREW	1	63	†77126	GASKET SET	1
31	†73075	SPRING	1	64	77125	KIT—repair parts	1

\* Not sold separately

† Included in 77125 repair parts kit

\*\* Not a part of Carburetor A-74576

# HOMELITE CHAIN SAW MODEL 7-29

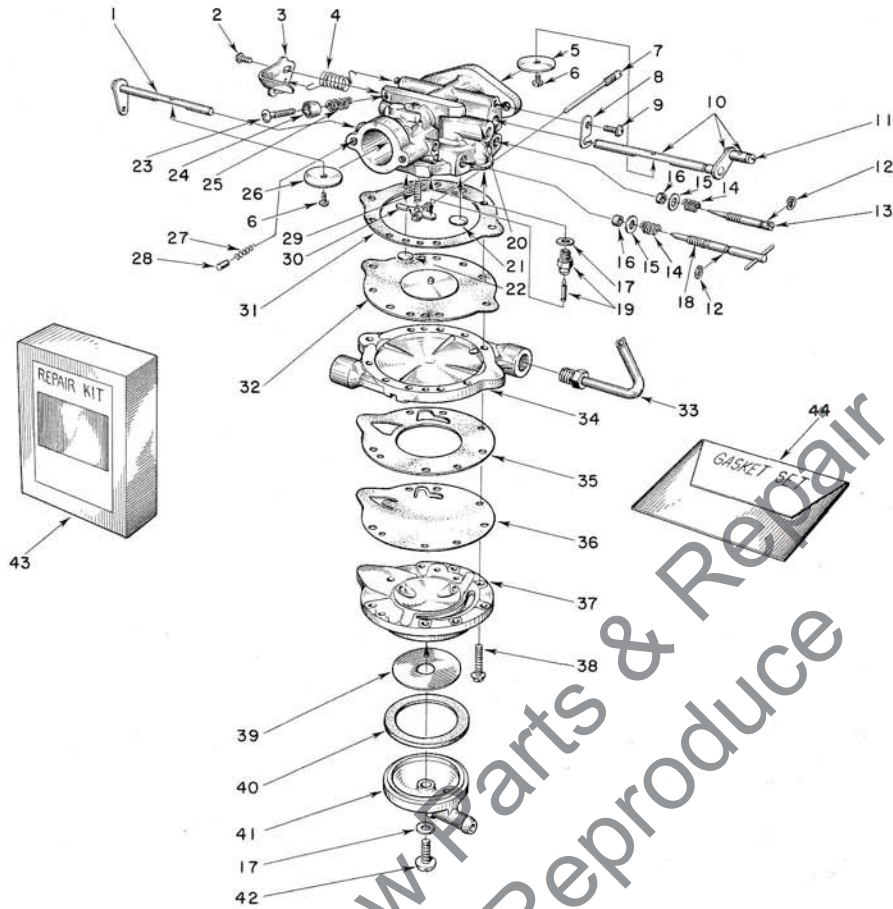


FIGURE 6 — BROWN CARBURETOR PARTS

JULY 1957

Index No.	Part No.	Description	No. Required	Index No.	Part No.	Description	No. Required
	A-74866	CARBURETOR (Brown Model 7-CS)	1			Includes	
		Includes		21	†74977	PLUG—Welch	1
1	A-74992	SHAFT & LEVER — choke	1	22	†74978	PLUG—Welch	1
2	‡77042	SCREW—stop lever, 4-40 x ¼ truss hd.	1	23	77040	SCREW—idle stop, 6-32 x ⅜ rd. hd.	1
3	74989	LEVER—throttle stop	1	24	77011	CUP—idle stop screw	1
4	‡74990	SPRING—throttle return	1	25	77010	SPRING—idle stop screw	1
5	74980	SHUTTER—throttle	1	26	74991	SHUTTER—choke	1
6	77044	SCREW—shutter	2	27	77017	SPRING—choke friction	1
7	‡A-77012	PIN—inlet control lever	1	28	77018	PIN—choke friction	1
8	‡74981	CLIP—throttle shaft	1	29	‡77015	SPRING—tension	1
9	‡77041	SCREW—6-32 x ¼ pan hd.	1	30	‡77016	LEVER—inlet control	1
10	A-74983	SHAFT & LEVER—throttle	1	31	†77030	GASKET—main diaphragm	1
		Includes		32	†A-77236	DIAPHRAGM—main	1
11	77045	SCREW—swivel, 6-32 x ¼ rd. hd.	1	33	A-77037	LINE—activator (not part of A-74866 Carburetor)	1
12	‡77004	CLIP—spring retaining	2	34	77024	COVER—main diaphragm	1
13	‡A-77251	SCREW—idle adjustment (includes 77004 clip)	1	35	†77025	GASKET—pump body	1
14	‡77005	SPRING—adjustment screw	2	36	†77026	DIAPHRAGM—pump	1
15	‡77006	WASHER—flat	2	37	77027	BODY—fuel pump	1
16	‡77007	RING—square	2	38	77160	SCREW—body, 6-32 x ¾ pan hd.	6
17	‡77267	GASKET—copper	2	39	‡77028	SCREEN—fuel inlet strainer	1
18	‡A-77001	SCREW—main adjustment (includes 77004 clip)	1	40	†77029	GASKET—strainer	1
19	‡A-74996-A	NEEDLE & SEAT—inlet (includes 77267 gasket)	1	41	77031	COVER—fuel pump	1
20	A-77060	BODY—service	1	42	77043	SCREW—turret, 8-32 x ⅜ truss hd.	1
				43	77033	KIT—repair parts (RK-150)	1
				44	‡77032	GASKET SET (GS-150)	1

† Included in 77032 Gasket Set.

‡ Included in 77033 Repair Parts Kit.

# HOMELITE CHAIN SAW MODEL 7-29

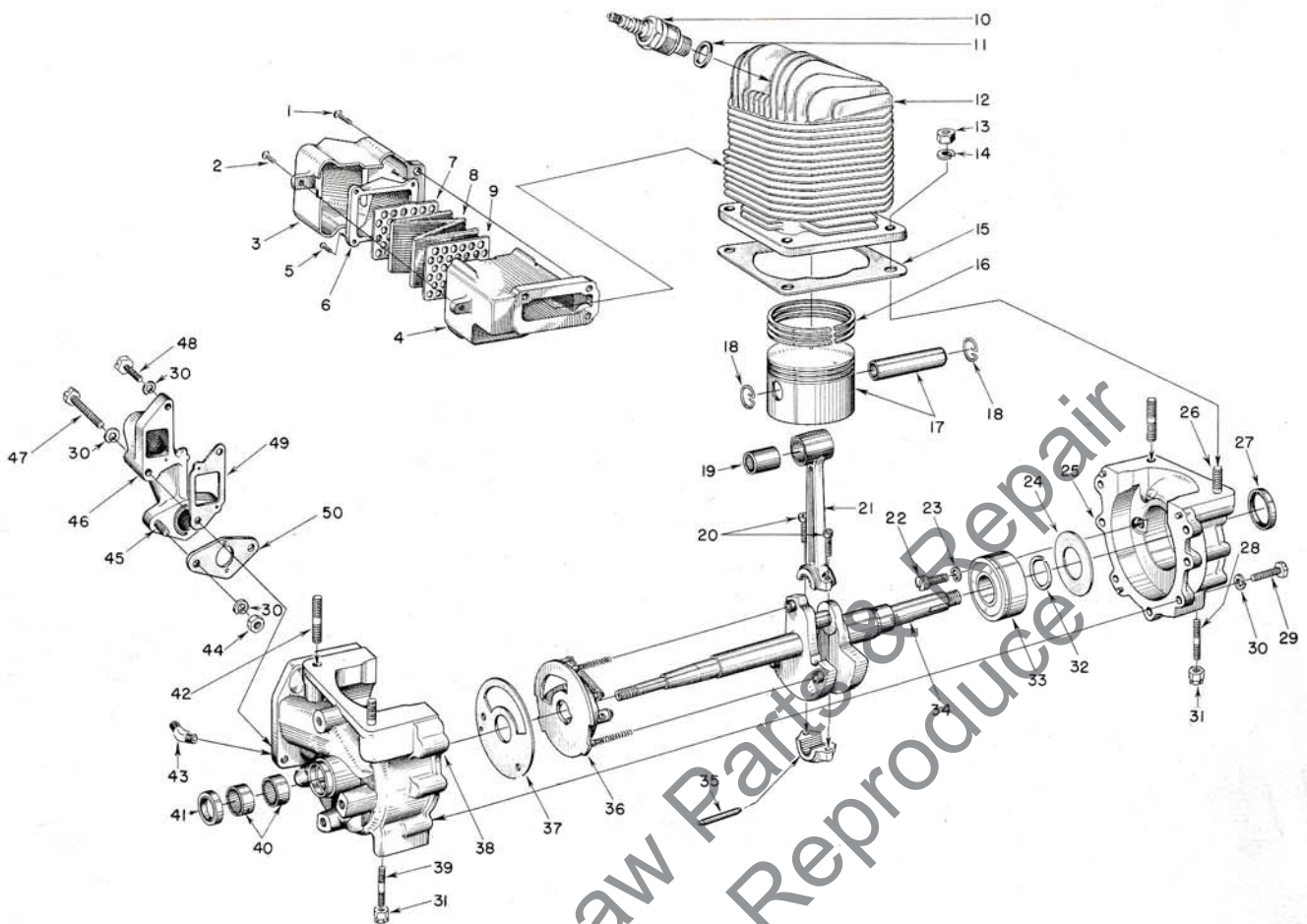


FIGURE 7 — ENGINE

JULY 1957

Index No.	Part No.	Description	No. Required	Index No.	Part No.	Description	No. Required
1	80057	SCREW— $\frac{1}{4}$ -20 x $\frac{7}{8}$ pan hd.	3	26	72787	STUD	2
2	80579	SCREW—10-32 x $\frac{3}{8}$ pan hd.	1	27	72413	SEAL—garlock	1
3	73751	DAMPER—heat	1	28	55871	STUD	1
4	A-73757	MUFFLER	1	*		PIN—dowel	5
		Includes		29	80181-1	SCREW— $\frac{1}{4}$ -20 x $\frac{7}{8}$ hex. hd.	7
5	80571	SCREW—6-32 x $\frac{3}{8}$ pan hd.	4	30	83009	WASHER— $\frac{1}{4}$ lock	11
6	73753	CAP—muffler	1	31	81114	NUT— $\frac{1}{4}$ -28 flex-lock	2
7	73756	RETAINER (outer)	1	32	50033	RING—retaining	1
8	73754	ELEMENT—muffler	1	33	71164-A	BEARING—main	1
9	73755	RETAINER (inner)	1	34	A-77159	CRANKSHAFT	1
10	72858	SPARK PLUG—Champion HC-3 (w/gasket)	1	35	AA-72206	ROLLERS (set of 31 needles)	1
11	25038	GASKET (included with spark plug)	1	36	A-6051	GOVERNOR	1
12	A-74472	CYLINDER	1	A-77127	CRANKCASE (front half)	1	
13	25412	NUT— $\frac{3}{16}$ -24 hex.	4		Includes		
14	83042	WASHER— $\frac{5}{16}$ lock	4	37	72767-A	PLATE—intake valve	1
15	74139	GASKET—cylinder	1	38	*	CRANKCASE	1
16	74626-1	RING—piston	3	39	55871	STUD (same as index No. 29)	1
17	A-74705	PISTON and PIN	1	40	73557	BEARING—needle	2
		Includes		41	71110	SEAL—garlock	1
18	25502	RING—snap	2	42	72787	STUD (same as index No. 27)	2
	A-74552-A	ROD—connecting	1	*		PIN—dowel	2
		Includes		43	†73865	ELBOW—activator line (illustrated)	1
19	71167	BEARING—piston pin	1	‡77034	ADAPTER—activator line (not shown)	1	
20	80492	SCREW—10-32 x $\frac{1}{2}$ Allen cap	2	44	81013	NUT— $\frac{1}{4}$ -20 hex	2
21	*	ROD (includes cap)	1	45	27464	STUD	2
22	19238-A	SCREW—main bearing retaining	2	46	74386-A	MANIFOLD—intake	1
23	83061	WASHER—lock (special thin)	2	47	80447-1	SCREW— $\frac{1}{4}$ -20 x $1\frac{3}{8}$ hex hd.	1
24	71106	GASKET—sealing	1	48	80218-1	SCREW— $\frac{1}{4}$ -20 x $\frac{3}{4}$ hex hd.	1
25	A-74706	CRANKCASE—rear half	1	49	72969	GASKET—intake manifold	1
		Includes		50	73460-A	GASKET—carburetor flange	1

\* Not sold separately

† Fits activator line for Tillotson carburetor only.

‡ Used in place of index No. 44 for Brown carburetor only.



# HOMELITE CHAIN SAW MODEL 7-29

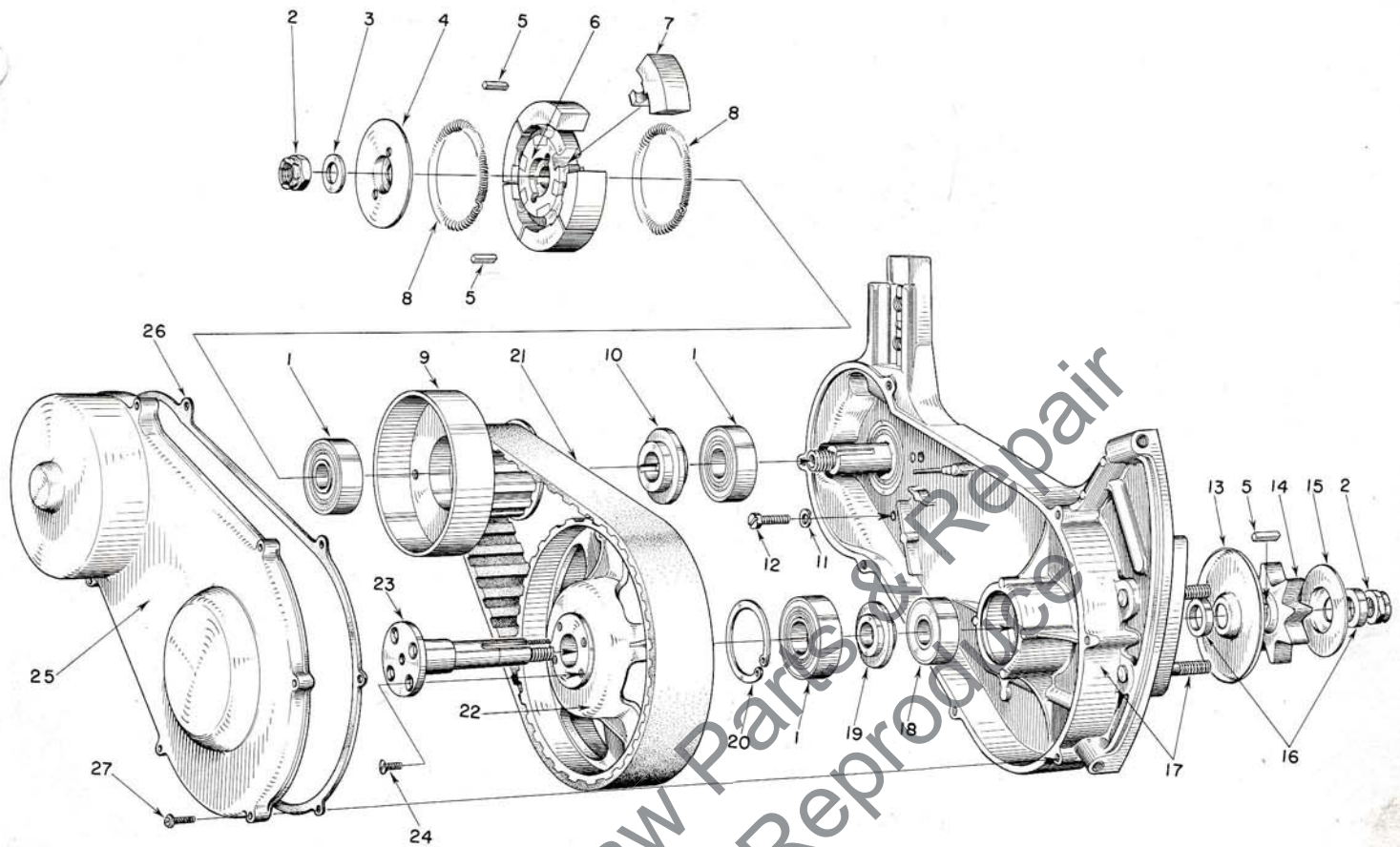


FIGURE 8 — DRIVE CASE

JULY 1957

Index No.	Part No.	Description	No. Required
1	72514	BEARING	3
2	81101	NUT	2
3	71193-B	WASHER—flat 1/2	1
4	73131	COVER—clutch	1
5	73215	KEY—1/16 sq. x 7/16	3
	AA-73213	CLUTCH	1
		Includes	
6	73064	SPIDER	1
7	73063	SHOE	6
8	73214	SPRING	2
9	AA-73058	DRUM—clutch (includes sprocket)	1
10	73045	SPACER	1
11	83009	WASHER—1/4 lock	4
12	80218-1	SCREW—1/4-20 x 3/4 hex. hd.	4
13	73771	FLANGE—sprocket, inner	1
14	†73860	SPROCKET—3/16"-7 tooth	1

Index No.	Part No.	Description	No. Required
	††73252-1	SPROCKET—1/2"-8 tooth	1
15	73253	FLANGE—sprocket, outer	1
16	73254	SPACER—sprocket	2
17		DRIVE CASE (See Figure 9 for breakdown)	1
18	72328	BEARING (small)	1
19	71819-A	SPACER—sprocket shaft bearing	1
20	31080	RING—retaining	1
21	73216	BELT—drive	1
22	73065-A	PULLEY—sprocket	1
23	71817-C	SHAFT—sprocket	1
24	80659	SCREW—12-28 x 1/2 Allen flat hd.	4
25	AA-73217	COVER—drive case	1
		Includes	
26	72195-D	GASKET—drive case cover	1
27	80568	SCREW—8-32 x 7/8 pan hd.	7

† For use with #4 chain  
 †† For use with #10 chain

# HOMELITE CHAIN SAW MODEL 7-29

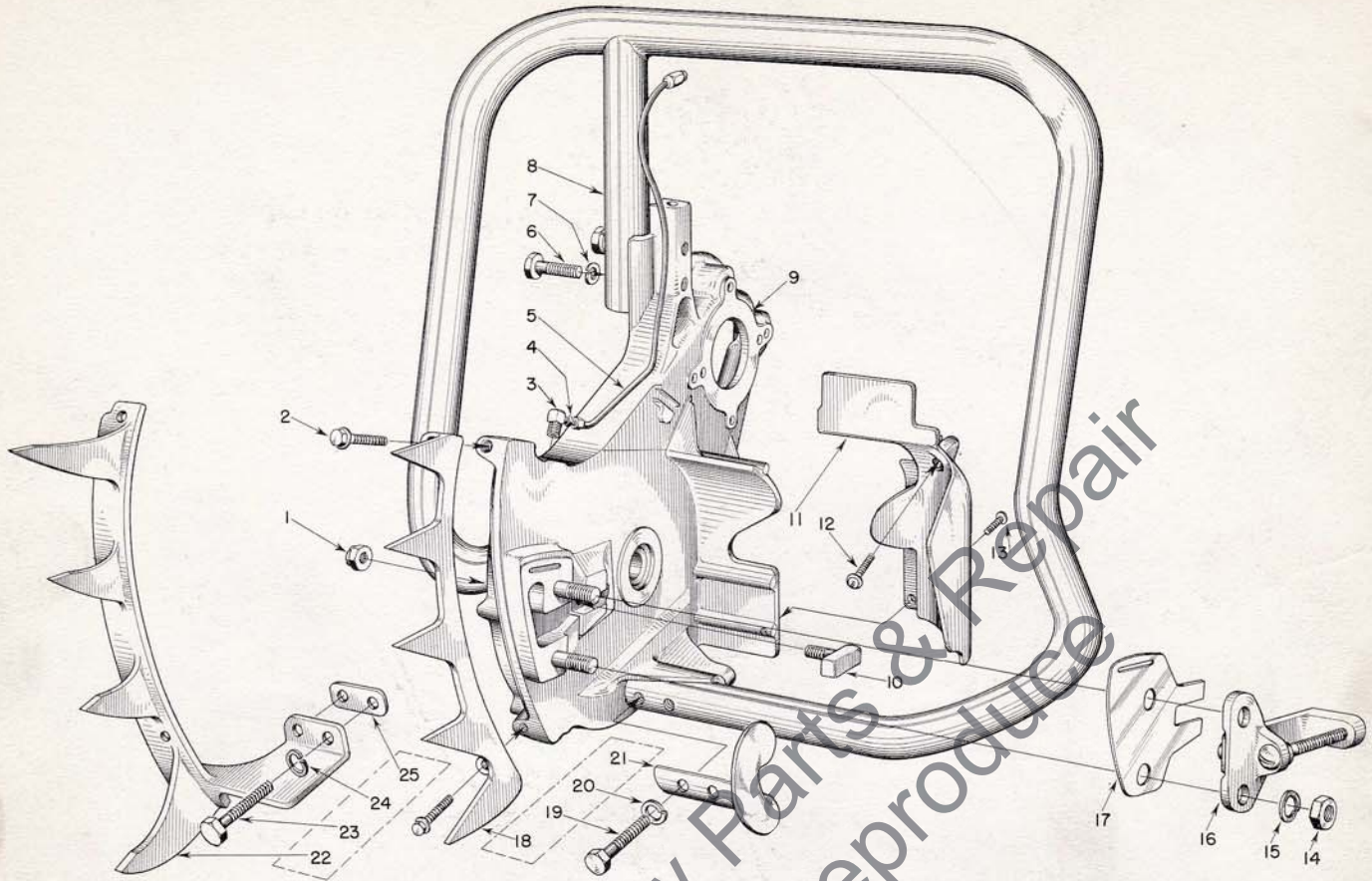


FIGURE 9—SAW END GROUP

JULY 1957

Index No.	Part No.	Description	No. Required	Index No.	Part No.	Description	No. Required
1	81102	NUT— $\frac{5}{16}$ -18	1			Includes	
2	80573	SCREW— $\frac{1}{4}$ -20 x $1\frac{1}{8}$ hex. hd.	2		71946-A	BRACKET—tension adjusting	1
3	31734	ELBOW—connector	1		AA-72407	PLATE—adjusting (w/screw)	1
4	31733-1	ADAPTER—straight	1	17	72374	SHIM—guide bar	1
5	AA-72444	OIL LINE	1		**	PARTS GROUP (for short spike model 7-29)	
6	80087	SCREW— $\frac{9}{16}$ -18 x $1\frac{1}{2}$ hex. hd.	2			Includes	
7	83003	WASHER— $\frac{1}{16}$ lock	4	18	73420	PLATE—spiked bumper, short	1
8	A-73893	HANDLE	1	19	80087	SCREW (same as index No. 6)	2
9	A-74707	DRIVE CASE	1	20	83003	WASHER (same as index No. 7)	2
		Includes		21	72223	GUARD—handle	1
	74582	STUD—guide bar (shown assembled)	2		**	PARTS GROUP (for long spike model 7-29A)	1
10	74630	KEY—guide bar	1			Includes	
11	73048	SHIELD—sawdust	1	22	72739-A	PLATE—spiked bumper, long	1
12	80567	SCREW—8-32 x $\frac{3}{4}$	1	23	80197	SCREW— $\frac{9}{16}$ -18 x 2 hex. hd.	2
13	80560	SCREW—8-32 x $\frac{1}{2}$ pan hd.	1	24	83003	WASHER— $\frac{1}{16}$ (same as index No. 7)	2
14	81089	NUT— $\frac{3}{8}$ -16 hex. hd.	2	25	73281	SPACER—handle	1
15	83018	WASHER— $\frac{3}{8}$ lock	2	26	A-74201	BRACE—handle (w/screw and nut)	1
16		DEVICE—chain tension	1				

\*\* Order individual pieces

# HOMELITE CHAIN SAW MODEL 7-29

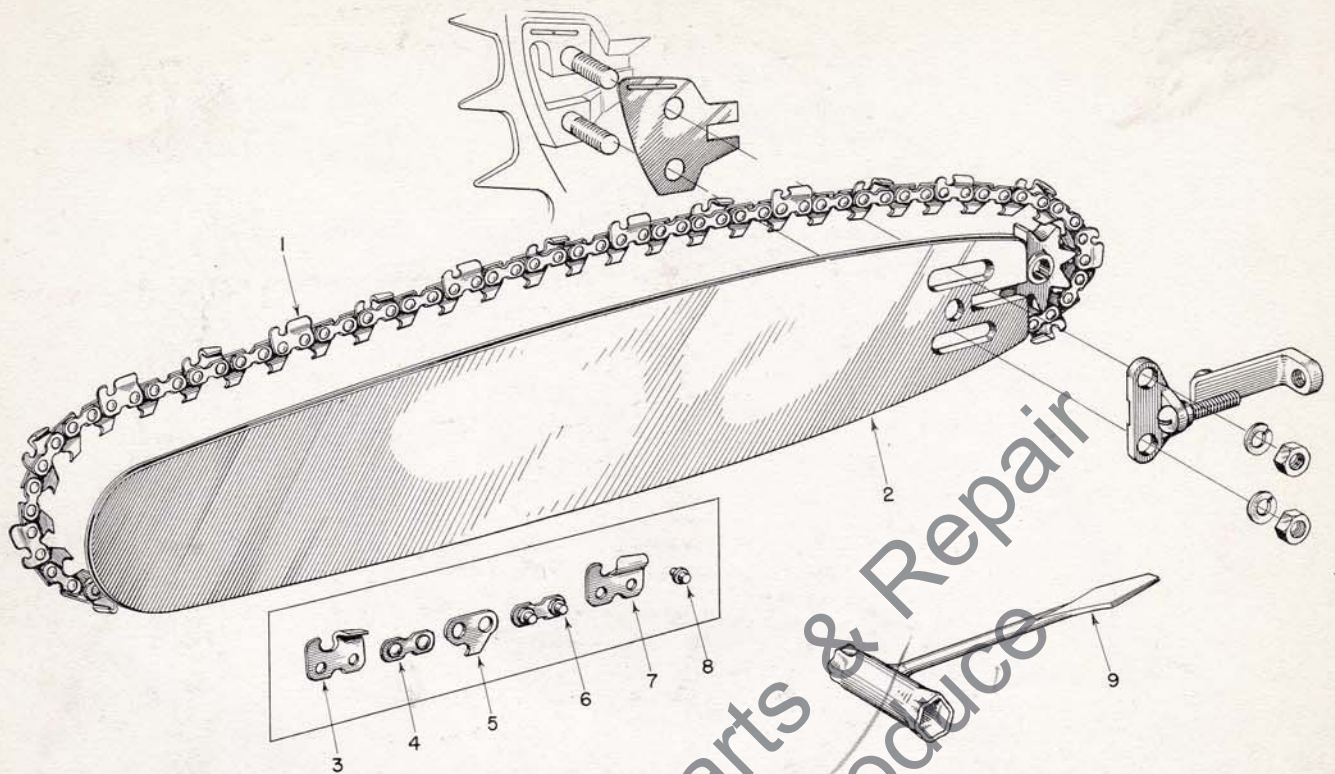


FIGURE 10 — STRAIGHT BLADE PARTS

Index No.	Part No.	Description	No. Required	Index No.	Part No.	Description	No. Required
		OREGON #4C, 1/16 Pitch CHIPPER CHAIN			73336-1	44" BAR—extra hard tip	1
1	AA-72977	18" CHAIN w/kit	1		73565-1	50" BAR—extra hard tip	1
	AA-72978	23" CHAIN w/kit	1		73562-1	60" BAR—extra hard tip	1
	AA-72979	28" CHAIN w/kit	1		AA-72973	KIT—#4C Chain repair (packaged with chain)	1
	AA-72983	33" CHAIN w/kit	1			Includes	
	AA-72981	38" CHAIN w/kit	1	3	72597-2	CUTTER—right	1
	AA-72982	42" CHAIN w/kit	1	4	72595	LINK—connecting (plain)	2
	AA-72984	44" CHAIN w/kit	1	5	72974	LINK—drive	1
	AA-73564	50" CHAIN w/kit	1	6	AA-73603	LINK—connecting, w/rivets	2
	AA-73563	60" CHAIN w/kit	1	7	72979-1	CUTTER—left	1
		ATKINS #963C, 1/16 Pitch CHAMFER CHAIN		8	72959	RIVET	4
1	A-52208	18" CHAIN w/kit	1		AA-73314	KIT—10C Chain repair (packaged with chain)	1
	A-52144	23" CHAIN w/kit	1			Includes	
	A-52145	28" CHAIN w/kit	1	3	72964	CUTTER—right	1
	A-52146	33" CHAIN w/kit	1	4	72960	LINK—connecting (plain)	2
	A-52150	38" CHAIN w/kit	1	5	73383	LINK—drive	1
	A-52213	42" CHAIN w/kit	1	6	AA-72961	LINK—connecting, w/rivets	2
	A-52147	44" CHAIN w/kit	1	7	72963	CUTTER—left	1
	A-52214	50" CHAIN w/kit	1	8	72959	RIVET	4
	A-52215	60" CHAIN w/kit	1		A-51609	KIT—#963C Chain repair (packaged with chain)	1
		OREGON #10C, 1/2 Pitch CHIPPER CHAIN				Includes	
1	AA-73338	18" CHAIN w/kit	1	3	52222	CUTTER—right	1
	AA-73340	23" CHAIN w/kit	1	4	52227	LINK—connecting (plain)	2
	AA-73342	28" CHAIN w/kit	1	5	52229	LINK—drive	1
	AA-73344	33" CHAIN w/kit	1	6	A-52225	LINK—connecting, w/rivets	2
	AA-73346	38" CHAIN w/kit	1	7	52217	CUTTER—left	1
	AA-73350	44" CHAIN w/kit	1	8	51612	RIVET	4
	AA-73597	50" CHAIN w/kit	1		A-51578	KIT—#163CT Chain repair (packaged with chain)	1
	AA-73598	60" CHAIN w/kit	1			Includes	
		ATKINS #163CT, 1/2 Pitch CHAMFER CHAIN		3	51581	CUTTER—right	1
1	A-51587	18" CHAIN w/kit	1	4	51580	LINK—connecting (plain)	2
	A-51589	23" CHAIN w/kit	1	5	51579	LINK—drive	1
	A-51590	28" CHAIN w/kit	1	6	A-51583	LINK—connecting, w/rivets	2
	A-51591	33" CHAIN w/kit	1	7	51582	CUTTER—left	1
	A-51592	38" CHAIN w/kit	1	8	51585	RIVET	4
	A-51593	44" CHAIN w/kit	1	9	22808	WRENCH—combination	1
	A-51594	50" CHAIN w/kit	1		22670	FILE HOLDER—1/2" pitch	1
	A-51595	60" CHAIN w/kit	1			Includes	
2	A-74318	18" BAR—track hardened plus extra hard tip	1		22676-2	FILE—1/4" round	1
	A-74323	23" BAR—track hardened plus extra hard tip	1		22944	FILE HOLDER—1/16" pitch	1
	A-74328	28" BAR—track hardened plus extra hard tip	1			Includes	
	73330-1	33" BAR—extra hard tip	1		22970	FILE—1/32" round	1
	73332-1	38" BAR—extra hard tip	1				

Always furnish saw model and serial number when ordering parts.

# HOMELITE CHAIN SAW MODEL 7-29

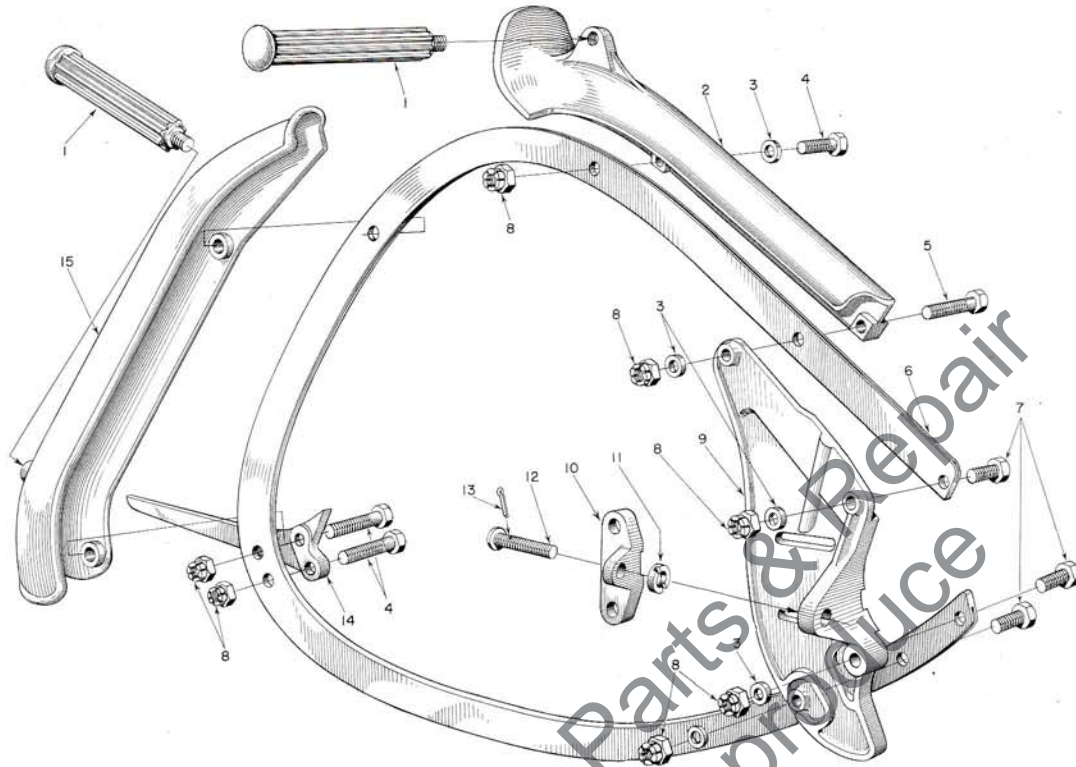


FIGURE 11 — BOW PARTS

JULY 1957

Index No.	Part No.	Description	No. Required	Index No.	Part No.	Description	No. Required
	A-73875	BOW KIT .....	1				
		Includes					
1	72226	HANDLE .....	1	13	A-73739	14" GUIDE—hard-surfaced .....	1
2	72779	GUARD .....	1		A-73740	18" GUIDE—hard-surfaced .....	1
3	84001	WASHER— $\frac{3}{16}$ flat .....	5		AA-73235	END—helper (optional use—18" bow only) .....	1
4	80546	SCREW— $\frac{3}{16}$ -24 x $1\frac{1}{4}$ hex. hd. ....	3			Includes	
5	80606	SCREW— $\frac{3}{16}$ -24 x $1\frac{1}{4}$ hex. hd. ....	1	14	72827	GUARD .....	1
6	81112	NUT— $\frac{3}{16}$ -24 hex. lock .....	7		72226	HANDLE (same as index No. 1) .....	1
7	80545	SCREW— $\frac{3}{16}$ -24 x 1 .....	3		AA-73340	CHAIN—Oregon #10C (for 14" bow) .....	1
8	72784	SPUR—plunging .....	1		AA-73342	CHAIN—Oregon #10C (for 18" bow) .....	1
9	A-73876	PLATE—mounting .....	1		A-51589	CHAIN—Atkins #163CT (for 14" bow) .....	1
		Includes			A-51590	CHAIN—Atkins #163CT (for 18" bow) .....	1
	80580	SCREW—headless .....	1		AA-73314	KIT—repair, for Oregon #10C, $\frac{1}{2}$ " pitch chain (see figure 10 for breakdown) .....	1
10	AA-72407	PLATE—adjusting .....	1		A-51578	KIT—repair, for Atkins #163CT chain (see figure 10 for breakdown) .....	1
		Includes					
11	81123	NUT—adjusting plate .....	1				
12	80617	SCREW—adjusting plate .....	1				

**You'll  
SPEED WORK  
and make  
MORE MONEY  
with...**



**HOMELITE**  
SELF-PRIMING PUMPS



**HOMELITE**  
DEPENDABLE GENERATORS



**HOMELITE**  
POWERFUL ONE-MAN CHAIN SAWS



**HOMELITE**  
ONE-MAN CONCRETE VIBRATORS



**HOMELITE** — BOSCH (Germany)  
ELECTRIC BUILDER'S HAMMERS

**All Powered By Famous HOMELITE Engines**

Homelite's two-cycle gasoline engines are the most efficient and dependable units of their kind ever built. Their two-cycle design, developed to perfection by Homelite engineers over the past 35 years, gives maximum power for the least weight because power is produced at every piston down stroke. As an added advantage, this design requires fewer moving parts which means greater dependability and lower maintenance

**HOMELITE**  
a division of Textron Inc.  
PORT CHESTER, N. Y.