

HOMELITE

CHAIN SAW

TERRY
MACHINERY CO.
LIMITED

HOMELITE
663

663

PARTS LIST

Not for Sale or Reproduction
Terry's Chainsaw Parts & Repair

HOMELITE CHAIN SAW MODEL 663

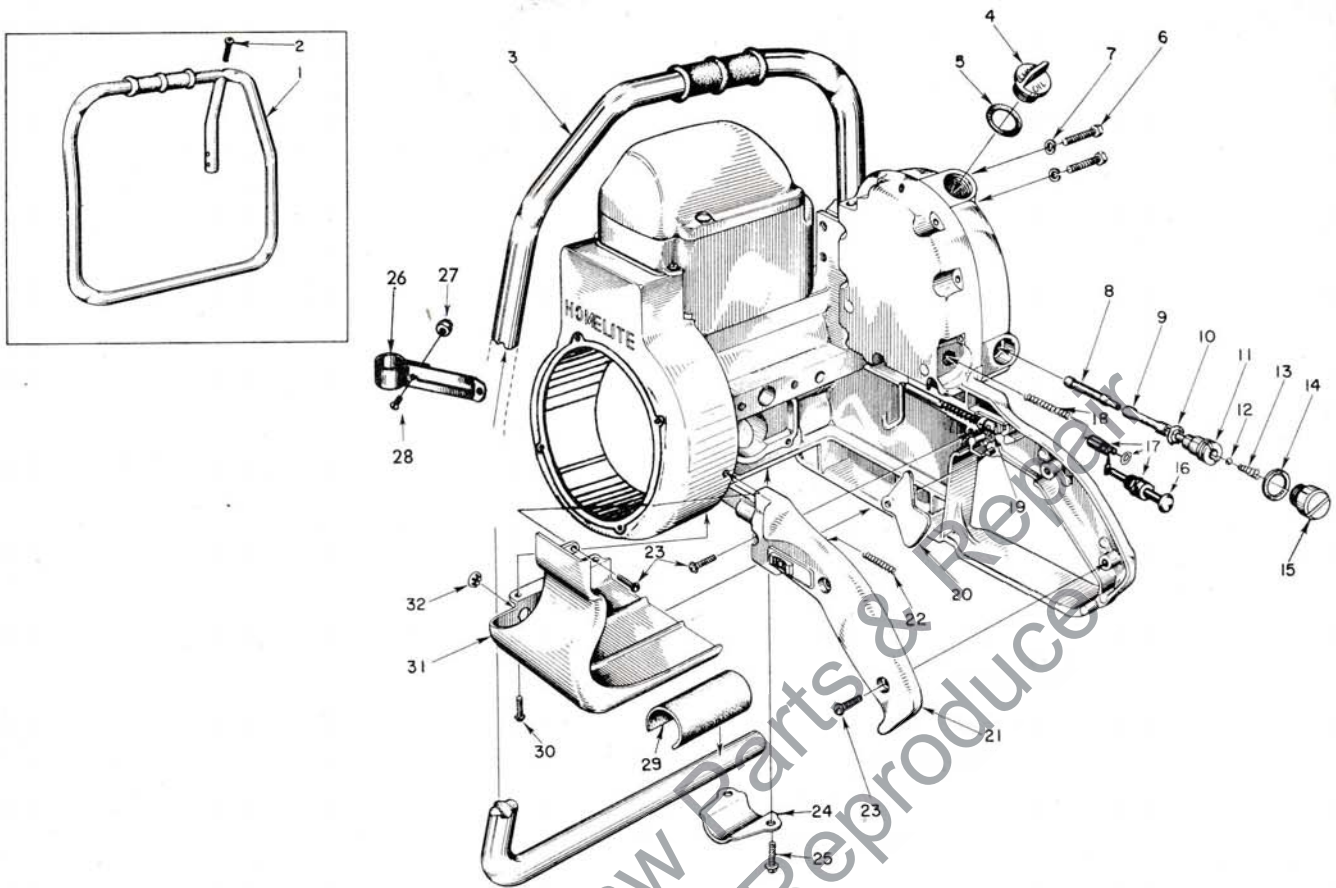


FIGURE 1 — HANDLE, GRIP AND LUBRICATOR PARTS

Index No.	Part No.	Description	No. Required
1	A-57045R	HANDLE — wrap-around Includes	1
2	80308	SCREW — $\frac{5}{16}$ -18 x 1 socket hd.	1
3	57039R	HANDLE — Flush-cut	1
4	A-56448	CAP — oil Includes	1
5	72280	GASKET	1
6	80087	SCREW — $\frac{3}{16}$ -18 x 1 $\frac{1}{2}$ hex hd.	2
7	83003	WASHER — $\frac{3}{16}$ lock	2
8	AA-55259-AT	FINDER — oil	1
9	55133-A	SLEEVE — flexible oil	1
10	55110	GASKET	1
11	55109-A	FITTING — check valve	1
12	25527	BALL ($\frac{3}{32}$ dia.)	1
13	55288-A	SPRING	1
14	55107	GASKET	1
15	A-55628	CAP — supply line	1
16	57284	BUTTON —	1
17	A-57834	Plunger Ass'y. Oil Pump.	1
18	71762	SPRING	1
19	A-55630	ROD — throttle Includes	1
	55045-A	SPRING — throttle rod	1
20	AA-55207	TRIGGER — throttle	1

Index No.	Part No.	Description	No. Required
21	A-55631	COVER — grip Includes	1
	AA-55282	LOCK — throttle Includes	1
22	72970	SPRING — throttle lock	1
23	80560	SCREW — 8-32 x $\frac{1}{2}$ pan hd.	4
24	55614	CLAMP — handle bar (drive case)	1
25	80581	SCREW — $\frac{1}{4}$ -20 x $\frac{5}{8}$ hex hd.	2
26	56204-AT	Brace - Handle Bar	1
27	81109	10-32 Flex Lock Nut	1
28	80578	10-32 x 7/16 Pan Hd Screw	1
29	55685	CUSHION — rubber	1
30	80625	SCREW — 10-32 x $\frac{1}{2}$ pan hd.	2
31	55512-2	SHIELD — carburetor	1
32	55681	PLUG — button	1

HOMELITE CHAIN SAW MODEL 663

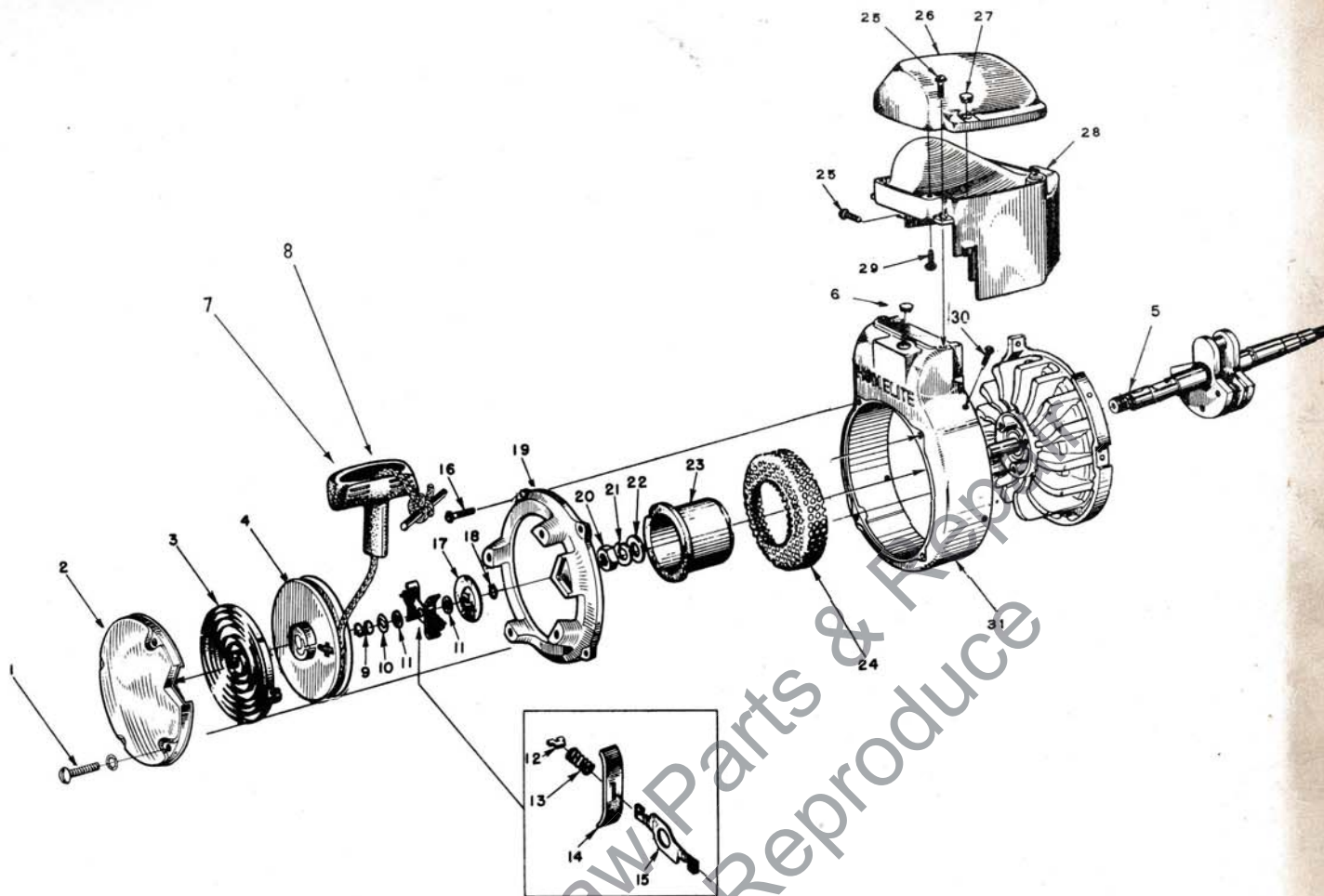


FIGURE 2 — STARTER PARTS

Index No.	Part No.	Description	Required No.
1	80864	SCREW	4
2	58281	COVER — pulley	1
3	56451	SPRING — rewind	1
4	56452	PULLEY — starter	1
5	57932	CRANSHAFT	1
6	55681	PLUG — button	1
7	A58314	HANDLE — starter	1
8	Incl.	PIN — Handle	1
9	56455	SPRING — brake	1
10	56456	WASHER — brake	1
11	56457	WASHER — fibre	2
12	A-57647	PLATE — spring retainer	2
13	Incl.	SPRING — friction shoe	2
14	Incl.	PLATE — friction shoe	2
15	Incl.	LEVER — brake	1

Index No.	Part No.	Description	Required No.
16	80576	SCREW — 10-32 x 9/16 pan hd.	4
17	76436	WASHER — brake retainer	1
18	76437	RING — retaining	1
19	58279	ADAPTER — starter	1
20	81110	NUT — 7/16-20 hex jam	1
21	83019	WASHER — 7/16 lock	1
22	84055	WASHER — 7/16 flat aluminum	1
23	56441-1	CUP — starter	1
24	56442	SCREEN — starter	1
25	80560	SCREW — 8-32 x 1/2 pan hd.	3
26	56968	CAP — cylinder shield	1
	57029	DECAL — "Homelite"	1
27	32814	PLUG — button	1
28	56967-1	SHIELD — cylinder	1
29	80513	SCREW — 6-32 x 1/2 pan hd.	4
30	80577	SCREW — 8-32 x 3/8 pan hd.	4
31	A-56063-1	SHROUD — air	1

Always furnish saw model and serial number when ordering parts

HOMELITE CHAIN SAW MODEL 663

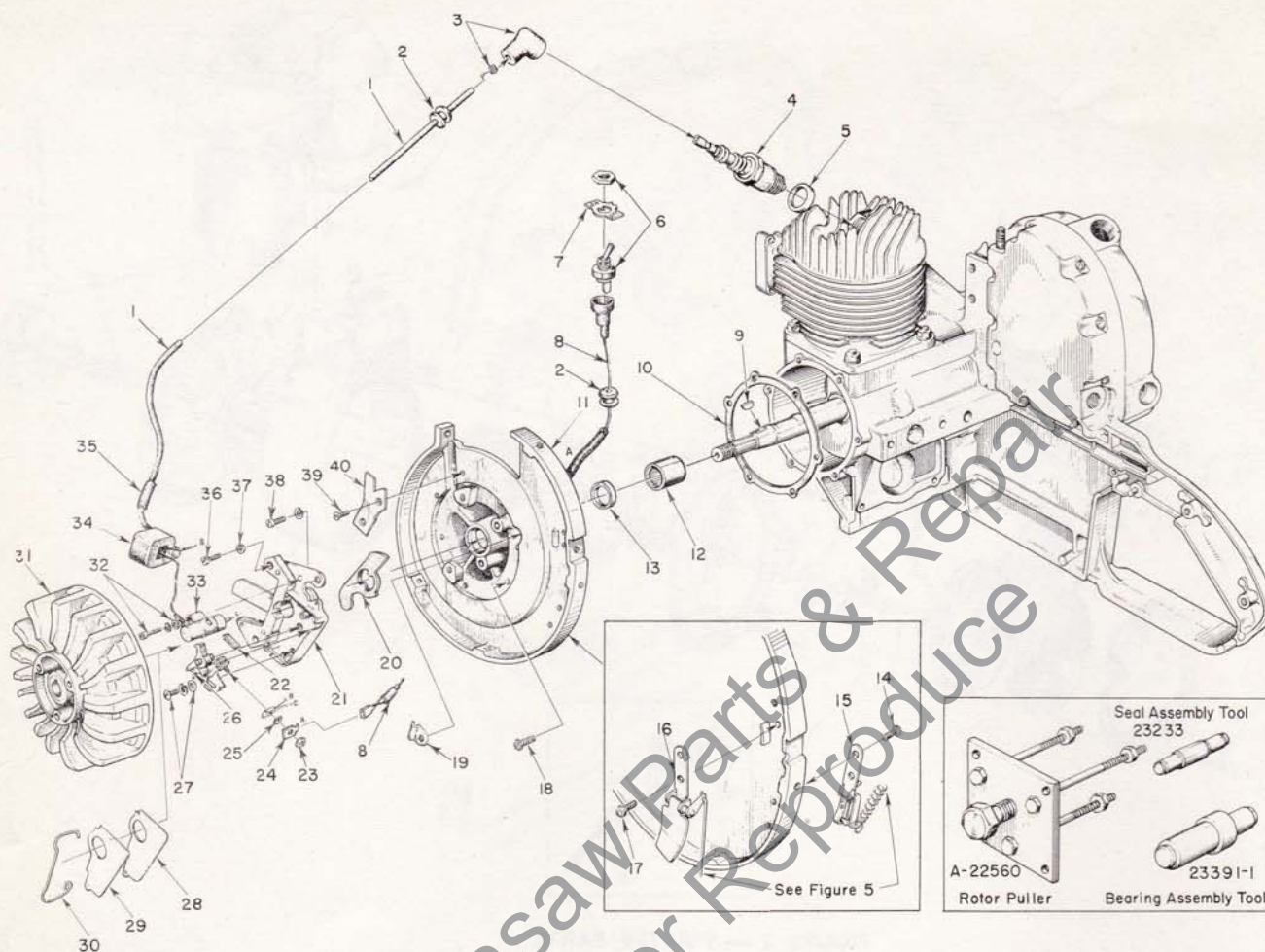


FIGURE 3 — IGNITION AND GOVERNOR PARTS

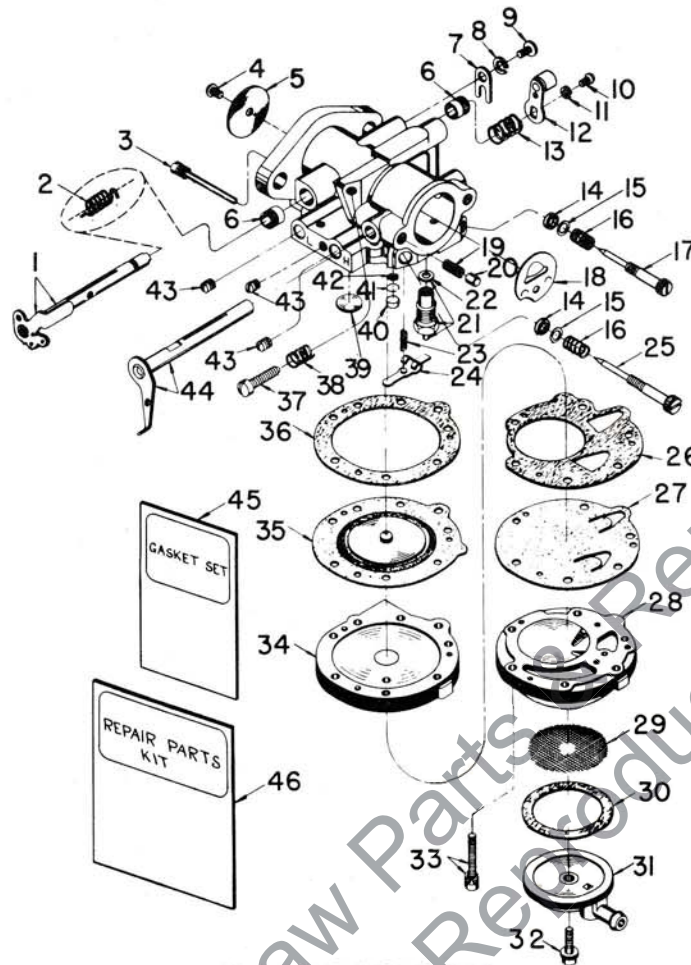
Index No.	Part No.	Description	No. Required
1	55235-A	LEAD — high tension	1
2	60929	GROMMET	2
3	A-55373	TERMINAL — "Sparky" (cover and spring) ..	1
4	40190	SPARKPLUG	1
5	25038	GASKET (included with spark plug)	1
6	A-57716	SWITCH — Toggle (mount on adapter)	1
		Includes	
7	55879	PLATE — "on-off"	1
8	A-57684	LEAD — ground (with terminals, sleeve, grommet and cover)	1
9	75078	KEY — rotor	1
10	55049	GASKET — back plate	1
11	A-57715	BACK PLATE	1
		Includes	
12	57533	BEARING — needle	1
13	56134	SEAL — garlock	1
14	80629	SCREW — 8-32 x 5/16 pan hd.	2
15	**A-55645	PLATE — governor adjusting	1
16	*A-56150	GOVERNOR	1
17	80605	SCREW — 6-32 x 5/16 pan hd.	2
18	80576	SCREW — 10-32 x 7/16 pan hd.	6
19	57719	CLAMP — ground lead	1

Index No.	Part No.	Description	No. Required
20	56292-A	WASHER — sealing mounting	1
21	57744	BOX — breaker w/core	1
22	55984	WICK — felt	1
23	55982	NUT — terminal	1
24	57733	TAB — ground terminal	1
25	55983	WASHER — terminal	1
26	A-58165	POINTS (set) — with pivot post	1
27	57749	SCREW GROUP — point fastening	1
28	55978-2	GASKET — dust cover	1
29	55979	COVER — dust	1
30	55980	CLAMP — dust cover	1
31	56276	ROTOR	1
32	57750	SCREW GROUP — condenser fastening	1
33	55987	CONDENSER (with terminal)	1
34	55986	COIL (with terminals)	1
35	57752	SLEEVE — insulating	1
36	80660	SCREW — 10-24 x 7/8 fl. hd.	2
37	83046	WASHER — #10 lock	3
38	80595	SCREW — 10-24 x 1/2, fl. hd.	1
39	80598	SCREW — 6-32 x 5/16 flat hd.	2
40	55595-1	CLAMP — high tension lead	1

*Does not include governor rod, see Figure 5.

**Does not include tension spring, see Figure 5.

HOMELITE CHAIN SAW MODEL 663



TILLOTSON MODEL HL-117C

Index No.	Part No.	Description	No. Required	Index No.	Part No.	Description	No. Required
1	A-75624	THROTTLE SHAFT & LEVER	1	23	* 55759	SPRING - inlet control lever	1
2	* 75756	SPRING - throttle opening (not attached) See Note Below	1	24	* 55747	LEVER - inlet control	1
3	* A-55762	PIN - fulcrum	1	25	* 56627	SCREW - idle adjustment	1
4	* 80012	SCREW - rd. hd., 6-32 x 3/16"	1	26	55881	GASKET - fuel pump - 58529	1
5	75532	SHUTTER - throttle	1	27	55753	DIAPHRAGM - fuel pump - 58193	1
6	72812	BUSHING	2	28	55748	BODY - fuel pump	1
7	73086	CLIP - throttle shaft	1	29	* 55752	SCREEN - strainer	1
8	83000	WASHER - lock #8	1	30	55751	GASKET - strainer	1
9	73088	SCREW - flat hd., 8-32 x 5/16"	1	31	55750	COVER - strainer	1
10	* 71521	SCREW - rd. hd., 4-36 x 1/4"	1	32	* 55756	SCREW - strainer cover	1
11	* 83008	WASHER - lock, #4	1	33	55316	SCREW - fil. hd., 6-32 x 13/16" w/lock washer	6
12	A-75528	LEVER - throttle w/roller	1	34	57923	COVER - diaphragm	1
13	* 56175	SPRING - friction (governor equipped saws)	1	35	* 57829	DIAPHRAGM - main	1
14	75733	PACKING - adjusting screw	2	36	57824	GASKET - diaphragm cover	1
15	75735	WASHER - adjusting screw	2	37	71509	SCREW - idle stop	1
16	* 73075	SPRING - adjusting screw	2	38	28064	SPRING - idle stop screw	1
17	* 58021	SCREW - main adjustment	1	39	* 30818	WELCH PLUG - 3/8"	1
18	57827	SHUTTER - choke	1	40	* 57820	PLUG - channel	1
19	73264	SPRING	1	41	57819	RING - retaining	1
20	71494	PLUNGER	1	42	57818	SCREEN	1
21	* A-57728	INLET NEEDLE & SEAT Includes	1	43	73067	SCREW PLUG - 8-32	3
22	55344	GASKET	1	44	A-75740	CHOKE SHAFT & LEVER	1
				45	* 57919	GASKET SET	1
				46	57987	REPAIR PARTS KIT	1

NOTE: Throttle opening spring #75756 is packaged with assembled carburetor. When installing the A-58102 carburetor as replacement on saws without governor, replace friction spring #56175 with throttle opening spring #75756. An anchor pin is provided for this spring.

CARBURETOR MODEL: HL-117-C

Homelite Model 663 Chain Saw

HOMELITE CHAIN SAW MODEL 663

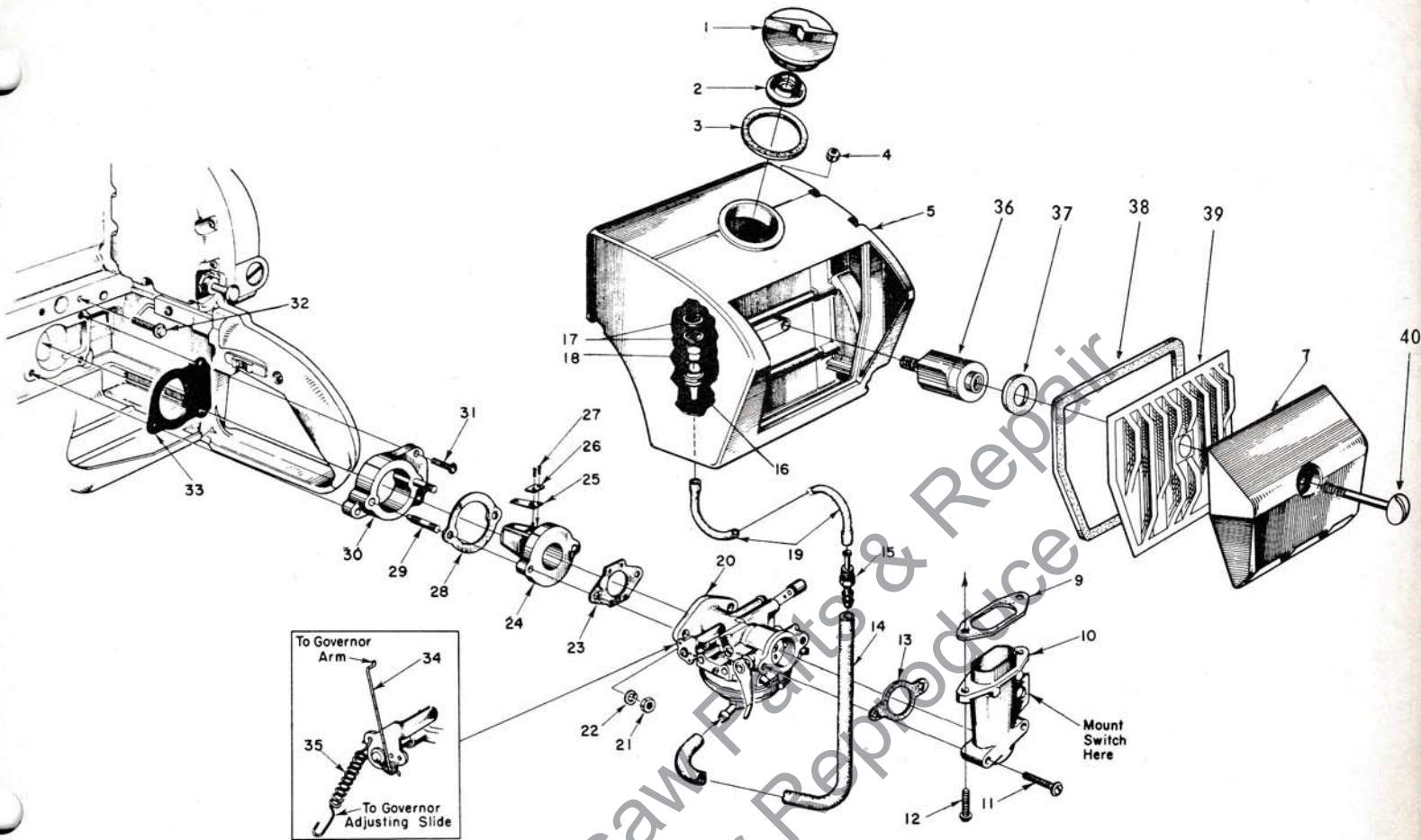


FIGURE 5 — FUEL SYSTEM

Index No.	Part No.	Description	Required No.	Index No.	Part No.	Description	Required No.
1	A-56907	CAP — fuel	1	20	A-57798	CARBURETOR ASSEMBLY—Til.No. HL-117C.....	1
2	56865	VALVE — relief	1	21	81013	NUT — ¼•20 hex.....	2
3	56335	GASKET	1	22	83009	WASHER — lock, ¼.....	2
4	81108	NUT — ¼•20 hex	1	23	55553	GASKET — carburetor.....	1
5	A-57651	FUEL TANK	1	24	55932	ADAPTER — reed valve.....	1
	56400	DECAL — "Homelite" (for fuel tank).....	1	25	55941	REED.....	4
	10009AT	DECAL — 663	1	26	55942	PLATE — reed.....	4
7	A-57654	COVER — air filter	1	27	80658	SCREW —4•40 x 3 ³ / ₁₆ pan hd.	8
				28	55946	GASKET — adapter-spacer.....	1
9	57659	GASKET — adapter	1	29	55945	STUD.....	2
10	57593	ADAPTER — air cleaner	1	30	55934	SPACER — reed adapter.....	1
11	80791	SCREW — 10•32 x 1 ¹ / ₈ pan hd.	2	31	80583	SCREW — 30•32 x 3 ³ / ₄ pan hd.	3
12	80572	SCREW — 10•32 x 5 ⁵ / ₈ pan hd.	2	32	80677	SCREW ¼•20 x 1 ¹¹ / ₁₆	2
13	72971 1	GASKET — air elbow	1	33	55116•T	GASKET — reed valve adapter.....	1
14	57763	FUEL LINE	1	34	†55642	RODE — governor.....	1
15	57652	FITTING — fuel outlet	1	35	‡55529	SPRING.....	1
16	A-56200	STRAINER — outlet w/brass nail	1	36	57995	Insert, Mounting.....	1
		Includes		37	57991	Gasket, Insert Mounting.....	1
17	56196	BUMPER — rubber	2	38	57992	Gasket, Air Filter.....	1
18	74374	FILTER — felt	1	39	58033	Element, Air Filter.....	1
19	55805	SLEEVE — flexible	1	40	57994	Screw, Mounting.....	1
					81163	Nut-Screw Retaining (not illustrated)	1

†Assemble governor rod through bottom rear hole.

‡Hook governor spring through forward hole of stop lever.

Always furnish saw model and serial number when ordering parts.

HOMELITE CHAIN SAW MODEL 663

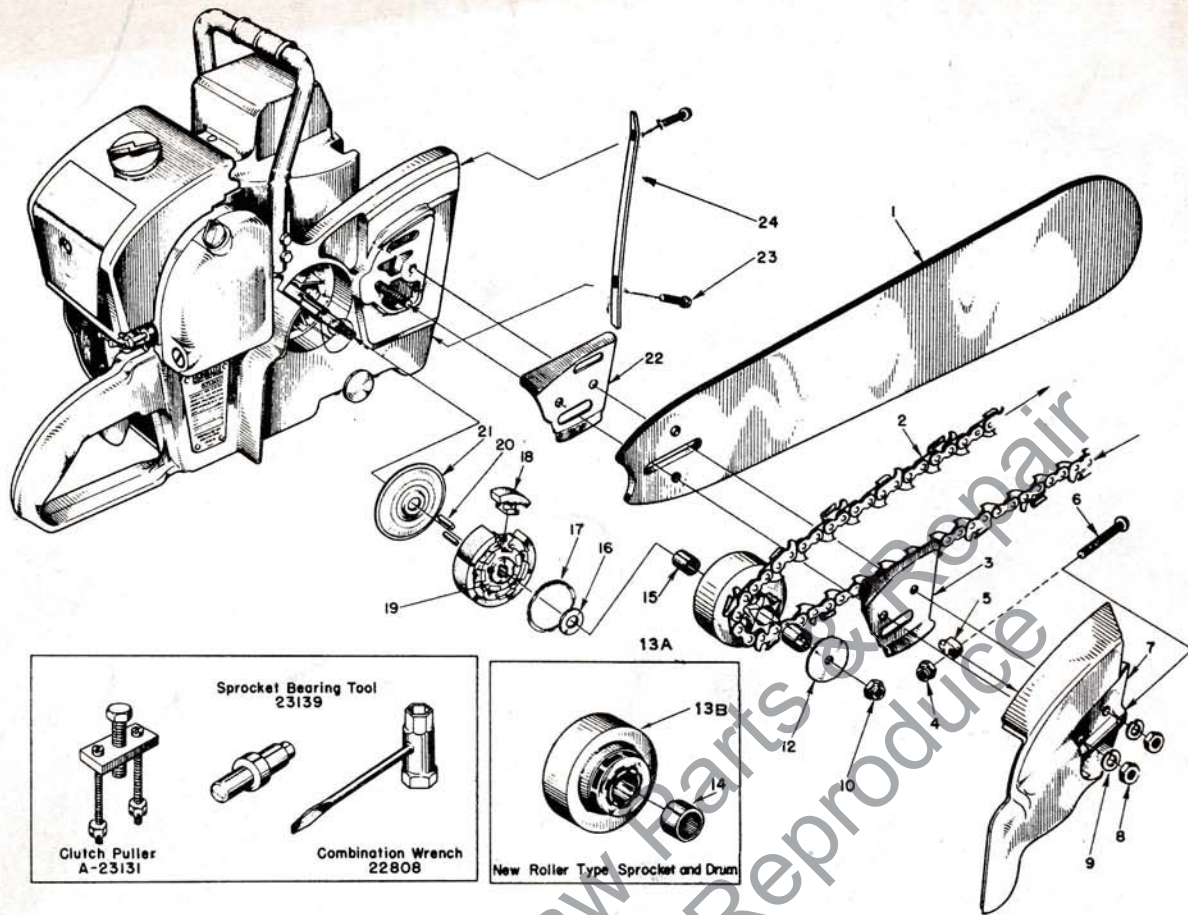


FIGURE 6 — SAW PARTS

Index No.	Part No.	Description	No. Required	Index No.	Part No.	Description	No. Required
INDUCTION HARDENED HOMELITE GUIDE BARS							
1	GW-1416	14" BAR — HOMELITE, welded nose	1	5	55613	PIN — guide bar adjusting	1
	GW-1719	17" BAR — HOMELITE, welded nose	1	6	80617	SCREW — 1/16-18 x 2, rd. hd.	1
	GW-2123	21" BAR — HOMELITE, welded nose	1	7	*	COVER	1
	GW-2528	25" BAR — HOMELITE, welded nose	1	8	81089	NUT — 3/8-16 hex	2
	GW-3033	30" BAR — HOMELITE, welded nose	1	9	83018	WASHER — lock	2
	HT-1416	14" BAR — HOMELITE	1	10	81116	NUT — 3/8-24 flex-lock	1
7/16" pitch — HOMELITE CHAIN — .063 gauge							
2	HC-6250-L	14" CHAIN — with kit	1	12	10003-AT	WASHER — thrust	1
	HC-6258-L	17" CHAIN — with kit	1	13A	†A-57363	SPROCKET and DRUM — 7 Tooth 7 Tooth (7/16" pitch chain)	1
	HC-6266-L	21" CHAIN — with kit	1	Includes			
	HC-6276-L	25" CHAIN — with kit	1				
	HC-6287-L	30" CHAIN — with kit	1	14	77403	BEARING — needle	1
1/2" pitch — HOMELITE CHAIN — .063 gauge							
	HC-1044-L	14" CHAIN — with kit	1	13B	56376AT	SPROCKET and DRUM -8 tooth(.404 pitch chain)	1
	HC-1051-L	17" CHAIN — with kit	1	Includes			
	HC-1058-L	21" CHAIN — with kit	1				
	HC-1067-L	25" CHAIN — with kit	1	14	55664-S	BEARING — needle	1
	HC-1077-L	30" CHAIN — with kit	1	15	55661	RACE — inner	1
.404 pitch — HOMELITE CHAIN — .063 gauge							
	HC-5254-L	14" CHAIN — with kit (for 8 tooth sprkt.) ..	1	16	55660-1	WASHER — thrust	1
	HC-5263-L	17" CHAIN — with kit (for 8 tooth sprkt.) ..	1	17	55123-C	SPRING — clutch	2
	HC-5271-L	21" CHAIN — with kit (for 8 tooth sprkt.) ..	1	18	55076-1A	SHOE — clutch	6
	HC-5282-L	25" CHAIN — with kit (for 8 tooth sprkt.) ..	1	19	55075-3A	SPIDER	1
3	56872-A	PLATE — guide bar, outer	1	20	55225-1A	KEY	2
	A-55668	COVER — drive case	1	21	56101-A	COVER — clutch	1
Includes				22	56871	PLATE — guide bar, inner	1
				23	T 80173	1/4 - 20 x 5/8 - fl. Hd. C/Sunk	2
4	81123	NUT — hex lock	1	24	55623 AT	PLATE — bumper	1

†Check type and number of teeth on sprocket before ordering.

*Not Sold Separately

Always furnish saw model and serial number when ordering parts