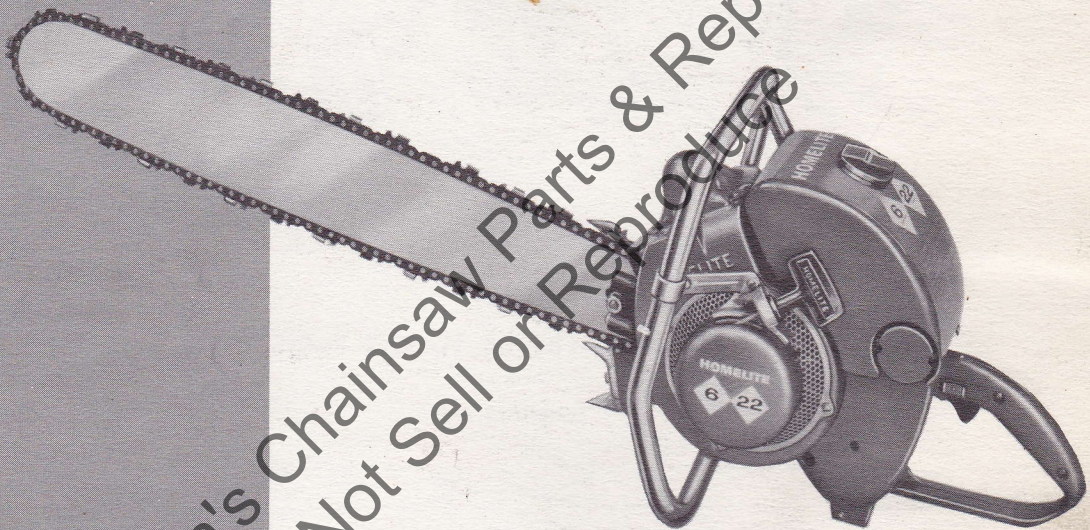


HOMELITE

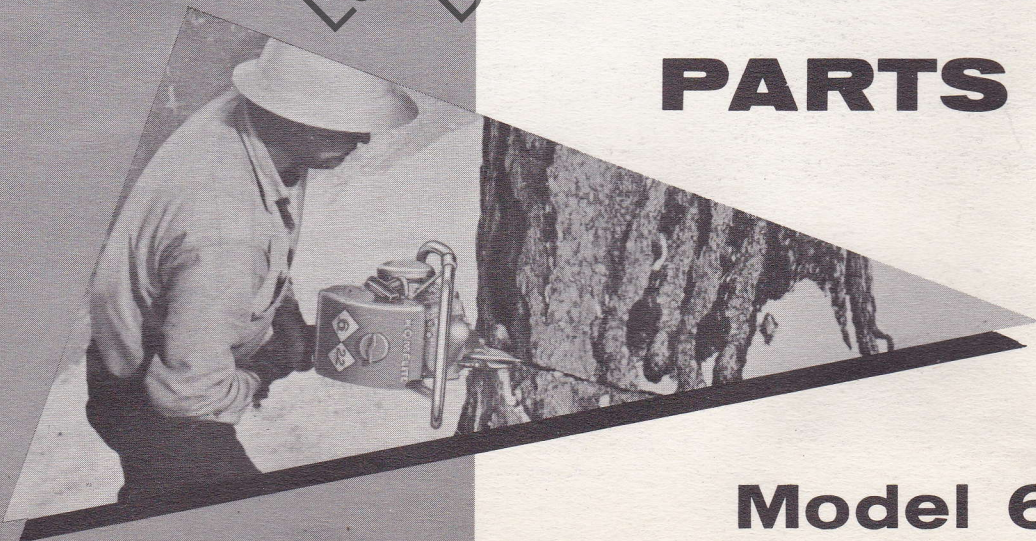
Chain Saw

September 1957



Leon's Chainsaw Parts & Repair
Do Not Sell or Reproduce

PARTS LIST



Model 6-22

HOMELITE CHAIN SAW MODEL 6-22

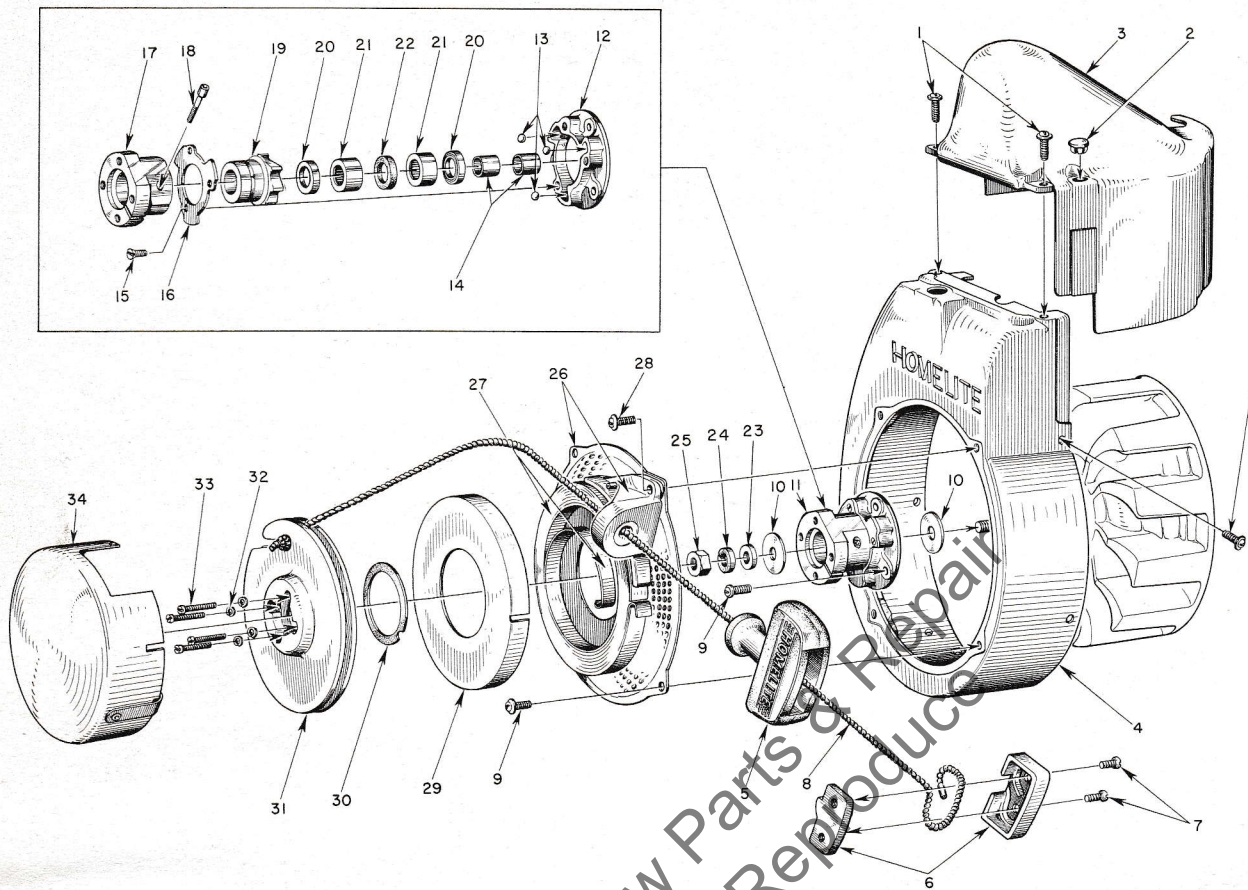


FIGURE 1 — RECOIL STARTER PARTS

SEPTEMBER, 1957

Index No.	Part No.	Description	No. Required
1	80577	SCREW—8-32 x 3/8 pan hd.	6
2	32814	PLUG	1
3	55015-2	SHIELD—cylinder	1
4	A-56006	SHROUD—air, w/inserts	1
5	55937	GRIP—starting	1
6	A-56081	INSERT—grip w/cover	1
		Includes	
7	80619	SCREW	2
8	55898	ROPE—nylon	1
9	80579	SCREW—10-32 x 3/8 pan hd.	6
10	55585	WASHER—thrust	2
11	A-56003	BALL DRIVE	
		Includes	
12	55054-A	PLATE—ball drive	1
13	55217	BALL—steel	3
14	55584	SLEEVE	2
15	80588	SCREW—5-40 x 5/16 flat hd.	3
	A-56002	RATCHET & HUB	1
		Includes	
16	55097	RETAINER—ball	1
17	A-56166	HUB & SCREW	1
		Includes	
18	72295-A	SCREW—hub	1
	AA-55213	RATCHET & BEARING	1

Index No.	Part No.	Description	No. Required
19	A-55348	RATCHET—w/washer	1
		Includes	
	55271	WASHER—formica	1
20	55272	SEAL—garlock	2
21	55215	BEARING—needle	2
22	55214	FELT	1
23	84070	WASHER—3/8 flat aluminum	1
24	83018	WASHER—3/8 lock	1
25	81124	NUT—3/8 hex	1
26	A-55998	SCREEN—air	1
		Includes	
	A-55999	BRACKET w/55363-A bushing	1
27	71470-A	SPRING—recoil	1
28	80576	SCREW—10-32 x 3/8 pan hd. (through bracket)	1
29	71603	COVER—spring housing	1
30	71588	SHIM—plastic	as req'd.
31	AA-55223-A	PULLEY—w/pin	1
32	83004	WASHER—#6 lock	4
33	80475	SCREW—6-32 x 3/4 fl. hd.	4
34	AA-73234-1	COVER—pulley	1
	56008	DECAL—6-22 (for pulley cover)	1

HOMELITE CHAIN SAW MODEL 6-22

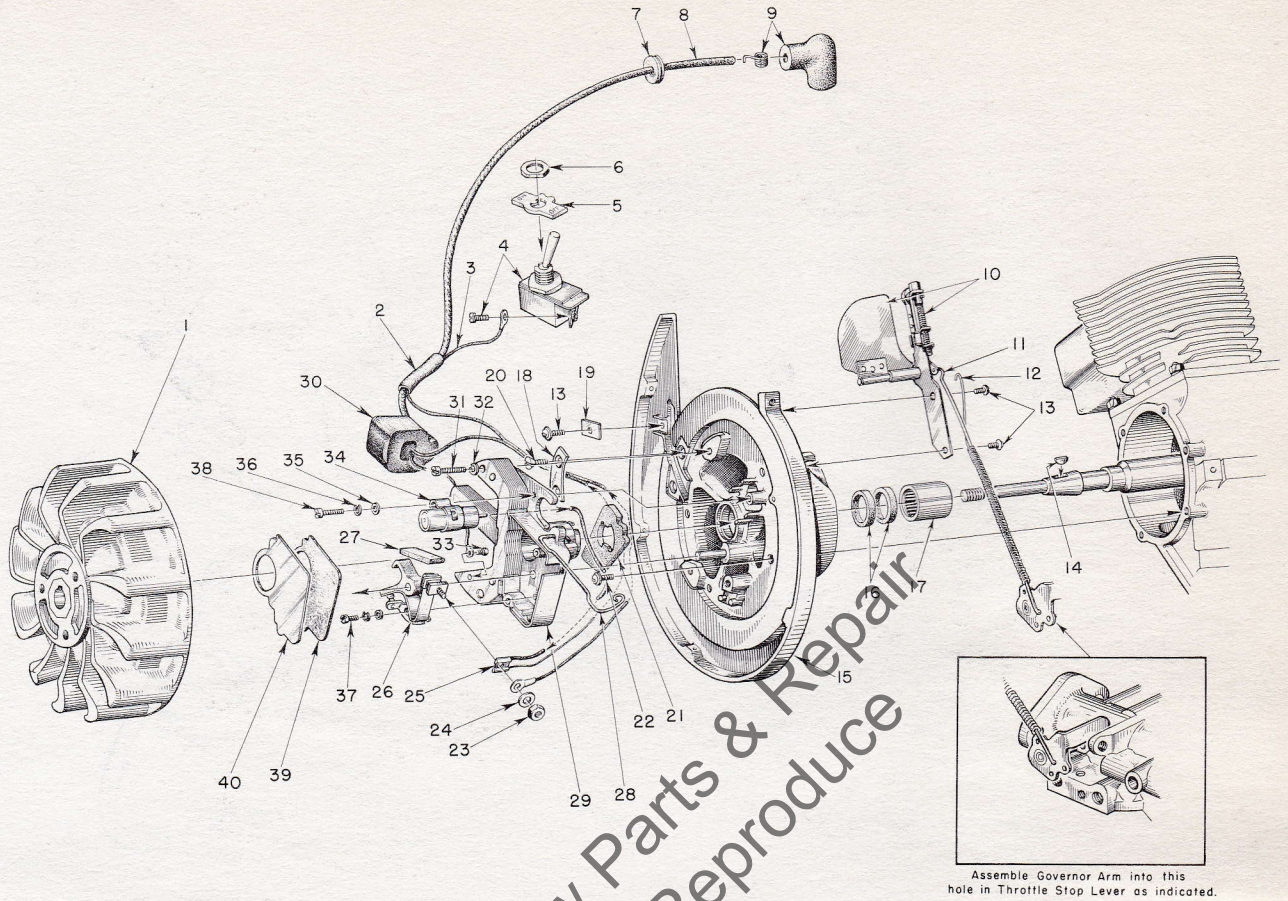


FIGURE 2 — IGNITION AND GOVERNOR PARTS

SEPTEMBER 1957

Index No.	Part No.	Description	No. Required	Index No.	Part No.	Description	No. Required
1	55994	ROTOR	1	19	55161	CLAMP—outer	1
2	55290	SLEEVE—insulating	1	20	80598	SCREW—6-32 x 1/16 flat hd.	2
3	55990	LEAD—ground	1	21	55989	WASHER—sealing, felt	1
4	AA-72094-A	SWITCH w/ screw	1	22	80576	SCREW—10-32 x 1/16 pan hd.	6
		Includes		23	55982	NUT—terminal	1
5	55879	PLATE (on-off)	1	24	55983	WASHER—terminal	1
6	72084-A1	NUT	1	25	*	TERMINAL—jam-tite	1
7	60929	GROMMET	1	26	A-55971	POINTS—(set)	1
8	55235-A	LEAD—high tension	1	27	55984	WICK—felt	1
9	A-55373	TERMINAL (sparky)	1	28	55980	CLAMP—dust cover	1
10	A-55996	GOVERNOR	1	29	55969	BOX—breaker w/core	1
		Includes		30	55986	COIL	1
	84066	WASHER—governor arm burr	1	31	80660	SCREW—10-24 x 7/8 fil. hd.	2
11	55943	ARM—governor	1	32	83046	WASHER—#10 lock	2
12	56179	SPRING	1	33	55977	SCREW	1
13	80575	SCREW—8-32 x 1/4 pan hd.	3	34	55987	CONDENSER w/terminal	1
14	75078	KEY—rotor	1	35	84048	WASHER—flat	2
15	A-56165	BACKPLATE w/pivot post	1	36	83060	WASHER—lock	2
		Includes		37	55985	SCREW—8-32 x 3/8 fil. hd.	1
16	71597	SEAL—garlock	2	38	55988	SCREW	1
17	55204	BEARING—needle	1	39	55978	GASKET—dust cover	1
18	55962	CLAMP—inner	1	40	55979	COVER—dust	1

* Not required for service. Replacement coils and condensers include terminals.

HOMELITE CHAIN SAW MODEL 6-22

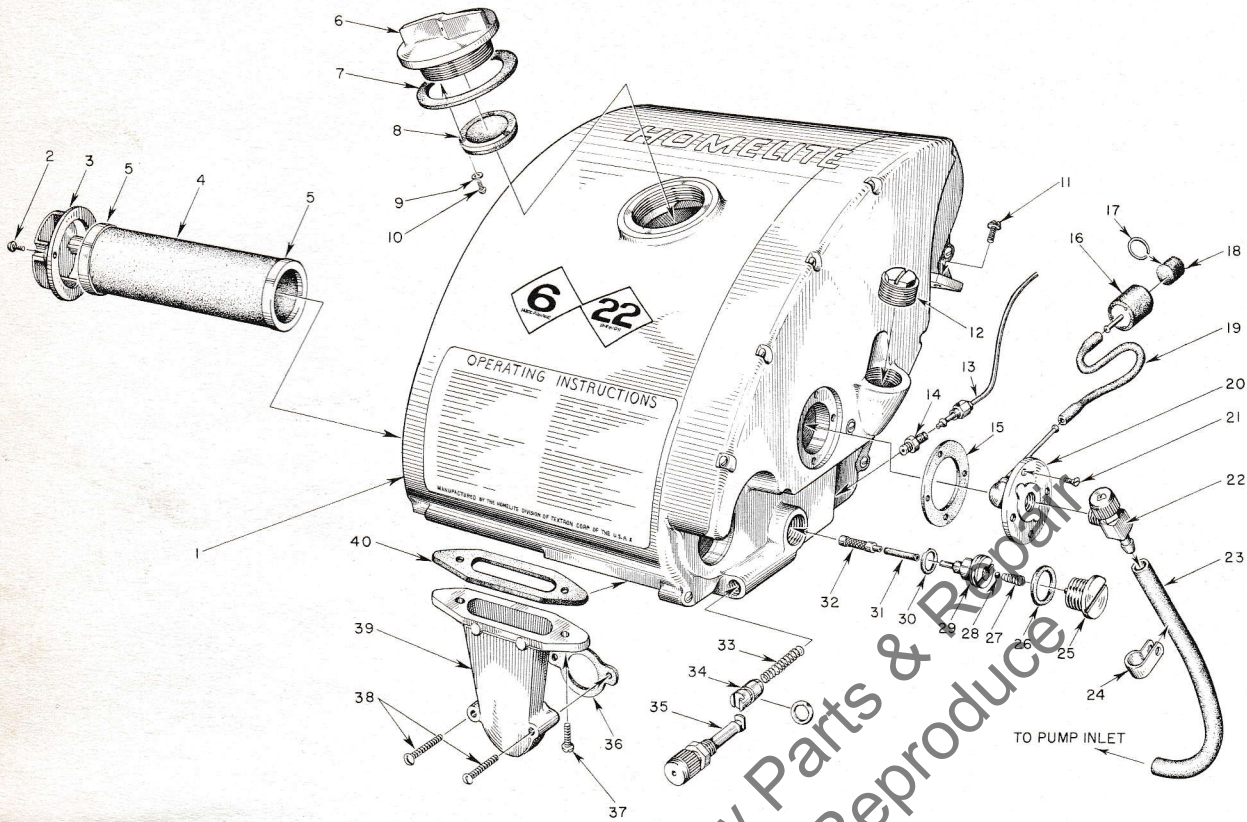


FIGURE 3—FUEL TANK

SEPTEMBER, 1957

Index No.	Part No.	Description	No. Required	Index No.	Part No.	Description	No. Required
1	A-55831-1	FUEL TANK w/foils	1	20	AA-72475	FITTING—fuel outlet	1
2	80571	SCREW—6-32 x 3/8 pan hd.	2	21	80451	SCREW—6-32 x 3/8 flat hd.	4
3	55494	CAP—air filter	1	22	55738	VALVE—shut-off	1
4	A-55533	FILTER—air	1	23	A-55801	LINE—fuel	1
		Includes		24	56014	CLIP—fuel line, nylon	1
5	55532	GASKET (cemented to filter)	2	25	AA-55167	CAP—oil supply line	1
6	A-55305	CAP—fuel	1	26	55107	GASKET	1
		Includes		27	55288-A	SPRING—check valve	1
7	72173	GASKET	1	28	25527	BALL—check	1
8	A-55301-B	VALVE—relief	1	29	55109-A	SEAT—check ball	1
9	83083	WASHER—#3 lock	3	30	55110	GASKET	1
10	80592	SCREW—3-48 x 1/4 rd. hd.	3	31	55133-A	SLEEVE—flexible	1
11	80582	SCREW—8-32 x 5/8 pan hd.	1	32	AA-55259-A	PICK-UP—oil	1
12	55140-A	CAP—oil filler	1	33	71762	SPRING—plunger	1
13	AA-55191	LINE—oil	1	34	A-74406	TUBE—plunger (includes 74388 "O" ring)	1
14	A-55824	VALVE—check	1	35	71764	BUTTON—plunger	1
15	72174	GASKET	1	36	72971-1	GASKET—air elbow	1
16	A-74375	BODY—fuel strainer	1	37	80572	SCREW—10-32 x 5/8 pan hd.	2
		Includes		38	80624	SCREW—10-32 x 1 pan hd.	2
17	74380	RING—snap	1	39	55019-3	ADAPTER—air filter	1
18	74374	FILTER—felt	1	40	55059	GASKET—adapter	1
19	55805	SLEEVE—flexible	1				

HOMELITE CHAIN SAW MODEL 6-22

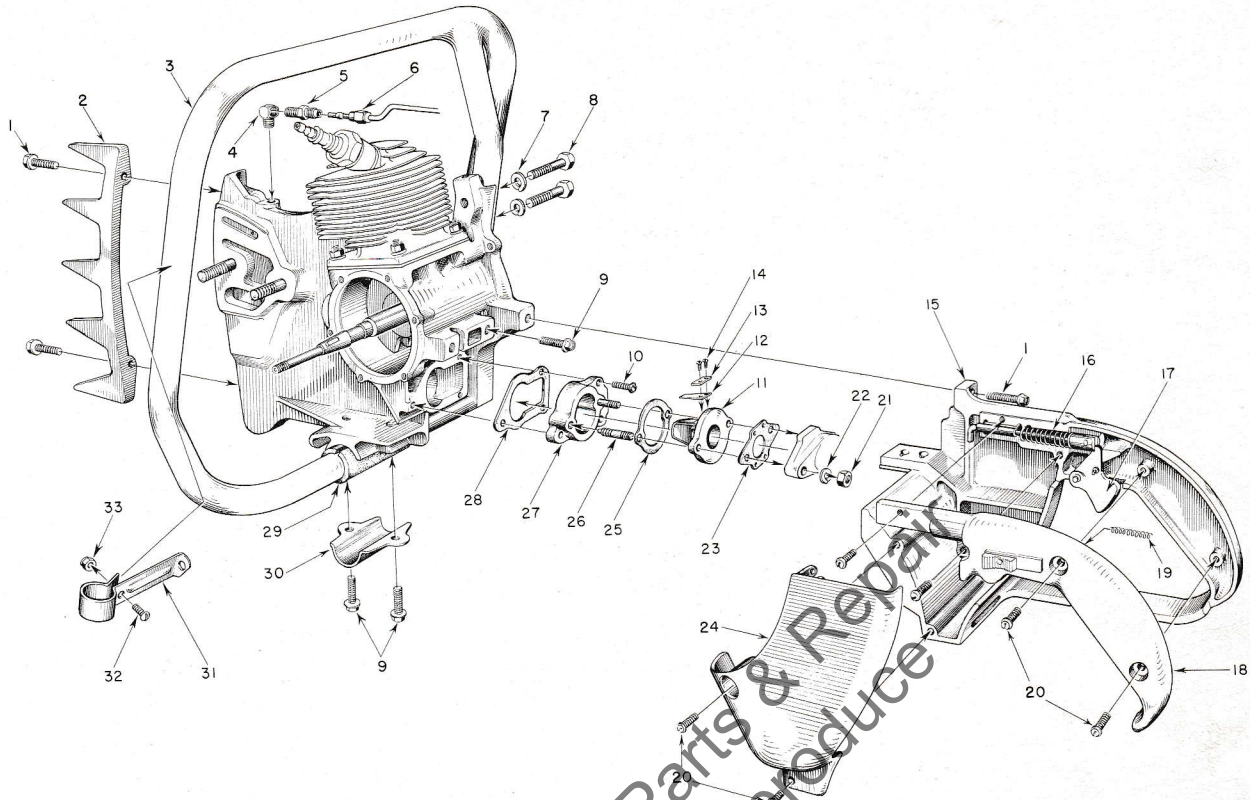


FIGURE 4 — HANDLE, GRIP AND REED VALVE PARTS

SEPTEMBER 1957

Index No.	Part No.	Description	No. Required
1	80573	SCREW— $\frac{1}{4}$ -20 x $\frac{1}{16}$ hex hd.	5
2	55103	PLATE—bumper	1
3	A-56065	HANDLE—flush cut (6-22)	1
	A-56064	HANDLE—wrap around (6-22A)	1
4	31734	ELBOW—connector	1
5	31733-1	ADAPTER—straight	1
6	AA-55191	LINE—chain oil	1
7	83003	WASHER— $\frac{3}{16}$ lock	2
8	80087	SCREW— $\frac{5}{16}$ -18 x $1\frac{1}{2}$ hex hd.	2
9	80581	SCREW— $\frac{1}{4}$ -20 x $\frac{5}{8}$ hex hd.	4
10	80583	SCREW—10-32 x $\frac{3}{4}$ pan hd.	3
11	55932	ADAPTER—reed valve	1
12	55941	REED	4
13	55942	PLATE—reed	4
14	80658	SCREW—4-40 x $\frac{3}{16}$ pan hd.	8
15	AA-55281	GRIP—pistol w/pin and 55372 felt	1
16	A-55954	ROD—throttle	1
		Includes	
	55045-A	SPRING	1
17	AA-55207	TRIGGER—throttle	1

Index No.	Part No.	Description	No. Required
18	AA-55228	COVER—pistol grip	1
		Includes	
	AA-55282	LOCK—throttle	1
		Includes	
19	72970	SPRING—lock	1
20	80560	SCREW—8-32 x $\frac{1}{2}$ pan hd.	6
21	81013	NUT— $\frac{1}{4}$ -20 hex	2
22	83009	WASHER— $\frac{1}{4}$ lock	2
23	55553	GASKET—carburetor	1
24	55104	SHIELD—carburetor	1
25	55946	GASKET—spacer-adapter	1
26	55945	STUD	2
27	55933	SPACER—reed adapter	1
28	55116	GASKET	1
29	55146	CUSHION—handle	1
30	55145	CLAMP—handle	1
31	A-56167	BRACE—handle	1
		Includes	
32	80578	SCREW—10-32 x $\frac{7}{16}$	1
33	81109	NUT—10-32 lock	1

Always furnish saw model and serial number when ordering parts

HOMELITE CHAIN SAW MODEL 6-22

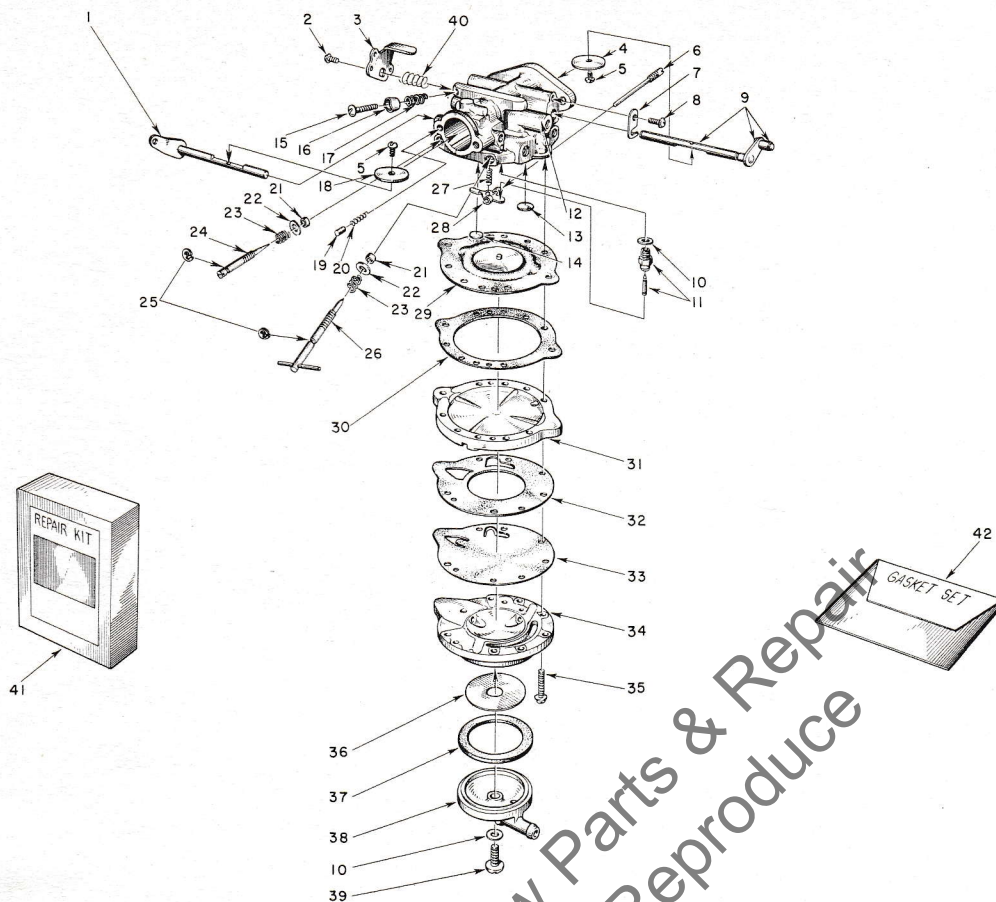


FIGURE 5 — BROWN CARBURETOR PARTS

SEPTEMBER 1957

Index No.	Part No.	Description	No. Required	Index No.	Part No.	Description	No. Required
	A-55928	CARBURETOR — Brown Model 5-CS.....	1	20	77017	SPRING — choke friction.....	1
		Includes		21	†77007	RING — square.....	2
1	A-77249	SHAFT AND LEVER — choke.....	1	22	*77006	WASHERS — adjustment packing.....	2
2	*77042	SCREW — stop lever, 4-40 x 1/4 Truss. hd.	1	23	*77005	SPRING — adjustment compression.....	2
3	77247	LEVER — throttle stop.....	1	24	*A-77251	SCREW — idle adjustment w/77004 clip	1
4	74980	SHUTTER — throttle.....	1	25	77004	CLIP — spring retaining.....	2
5	77044	SCREW — shutter, 4-40 x 1/8 rd. hd.....	2	26	*A-77001	SCREW — main adjusting w/77004 clip	1
6	*A-77012	FULCRUM PIN	1	27	*77015	SPRING — tension.....	1
7	*74981	CLIP — throttle shaft.....	1	28	*77016	LEVER — diaphragm.....	1
8	*77041	SCREW — throttle clip, 6-32 x 1/4 pan hd.	1	29	†A-77250	DIAPHRAGM — main.....	1
9	A-77253	SHAFT — throttle.....	1	30	†77030	GASKET — main diaphragm.....	1
10	†77267	GASKET—copper	2	31	77241	COVER — main diaphragm.....	1
11	*A-74996-A	NEEDLE AND SEAT — inlet w/gasket.....	1	32	†77025	GASKET — pump body.....	1
12	A-77248	BODY — service.....	1	33	†77026	DIAPHRAGM — pump.....	1
		Includes		34	77027	BODY — fuel pump.....	1
13	*74977	PLUG — welch 3/8.....	1	35	77160	SCREW — body 6-32 x 3/4 fil. hd.....	6
14	*74978	PLUG — welch 5/16.....	1	36	*77028	SCREEN — strainer.....	1
15	77040	SCREW — idle speed, 6-32 x 3/16 rd. hd.	1	37	†77029	GASKET — strainer.....	1
16	77011	CUP — idle speed screw.....	1	38	77031	COVER — fuel pump.....	1
17	77010	SPRING — idle speed screw.....	1	39	77043	SCREW — turret, 8-32 x 7/16, truss hd.....	1
18	74991	SHUTTER — choke.....	1	40	56175	SPRING	1
19	77018	PLUNGER — choke friction.....	1	41	77255	REPAIR PARTS KIT (RK-151)	1
				42	*77254	GASKET SET (GS-151)	1

† Included in GS-151 Gasket Set

* Included in RK-151 Repair Parts Kit

HOMELITE CHAIN SAW MODEL 6-22

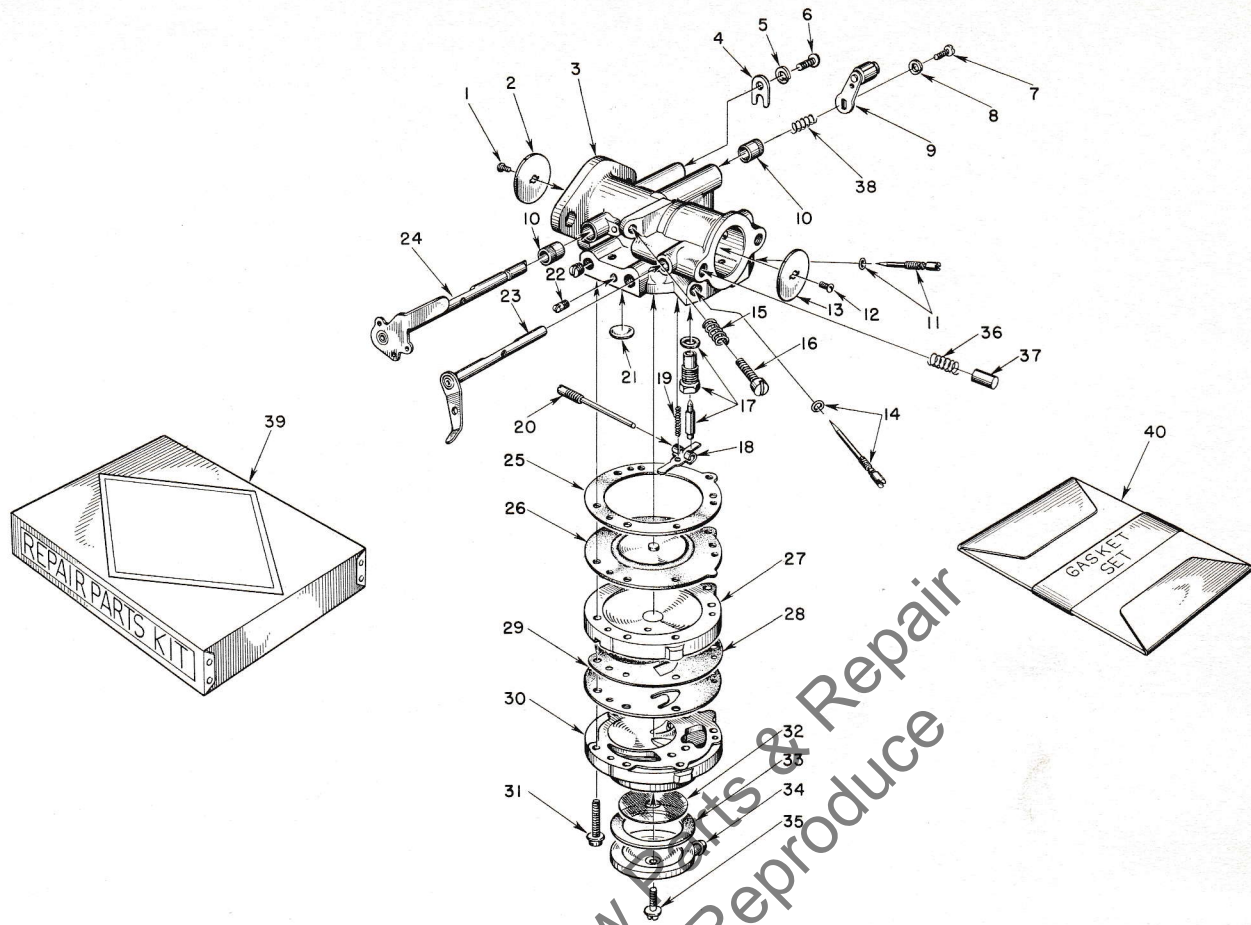


FIGURE 6 — TILLOTSON CARBURETOR PARTS

SEPTEMBER 1957

Index No.	Part No.	Description	No. Required	Index No.	Part No.	Description	No. Required
	A-56066	CARBURETOR—Till. Model HL-27B	1	18	*55747	LEVER—inlet control	1
		Includes		19	*55759	SPRING—control lever	1
1	*80012	SCREW—throttle shutter	1	20	*A-55762	SCREW—pinion	1
2	73272	SHUTTER—throttle	1	21	30818	PLUG	1
3	A-75533	BODY—service	1	22	73067	PLUG—drain	1
4	73086	CLIP—throttle shaft	1		71505	PLUG	2
5	83000	WASHER—lock #8	1	23	A-55766	LEVER—choke	1
6	73088	SCREW—8-32 x 5/16 flat hd.	1	24	A-75624	SHAFT—throttle, w/stop lever	1
7	*71521	SCREW—4-36 x 1/4 rd. hd.	1	25	55754	GASKET—main diaphragm	1
8	*83008	WASHER—lock #4	1	26	*A-55760	DIAPHRAGM—main	1
9	A-75528	LEVER and ROLLER—throttle	1	27	55749	COVER—main diaphragm	1
10	72812	BUSHING—throttle shaft	2	28	55881	GASKET—pump diaphragm	1
11	*A-75527	SCREW—main adjust. (hi speed)	1	29	*55753	DIAPHRAGM—pump	1
		Includes		30	55748	BODY—pump	1
	55764	"O"—ring	1	31	*55316	SCREW and WASHER	6
12	*80012	SCREW—choke shutter (same as No. 1)	1	32	55752	SCREEN—fuel strainer	1
13	73263	SHUTTER—choke	1	33	55751	GASKET—pump cover	1
14	*A-75530	SCREW—idle adjust. (lo speed)	1	34	55750	COVER—pump	1
		Includes		35	55756	SCREW—retaining	1
	55764	"O"—ring	1	36	73264	SPRING—choke friction pin	1
15	*28064	SPRING—idle stop screw	1	37	71494	PIN—choke friction	1
16	*71509	SCREW—idle stop (speed control)	1	38	56175	SPRING	1
17	*A-55761	INLET NEEDLE and SEAT	1	39	75623	REPAIR PARTS KIT (RK-357)	1
		Includes		40	*55836	GASKET SET (GS-122)	1
	55344	GASKET—inlet seat	1				

* Included in Repair Parts Kit (RK-357)

HOMELITE CHAIN SAW MODEL 6-22

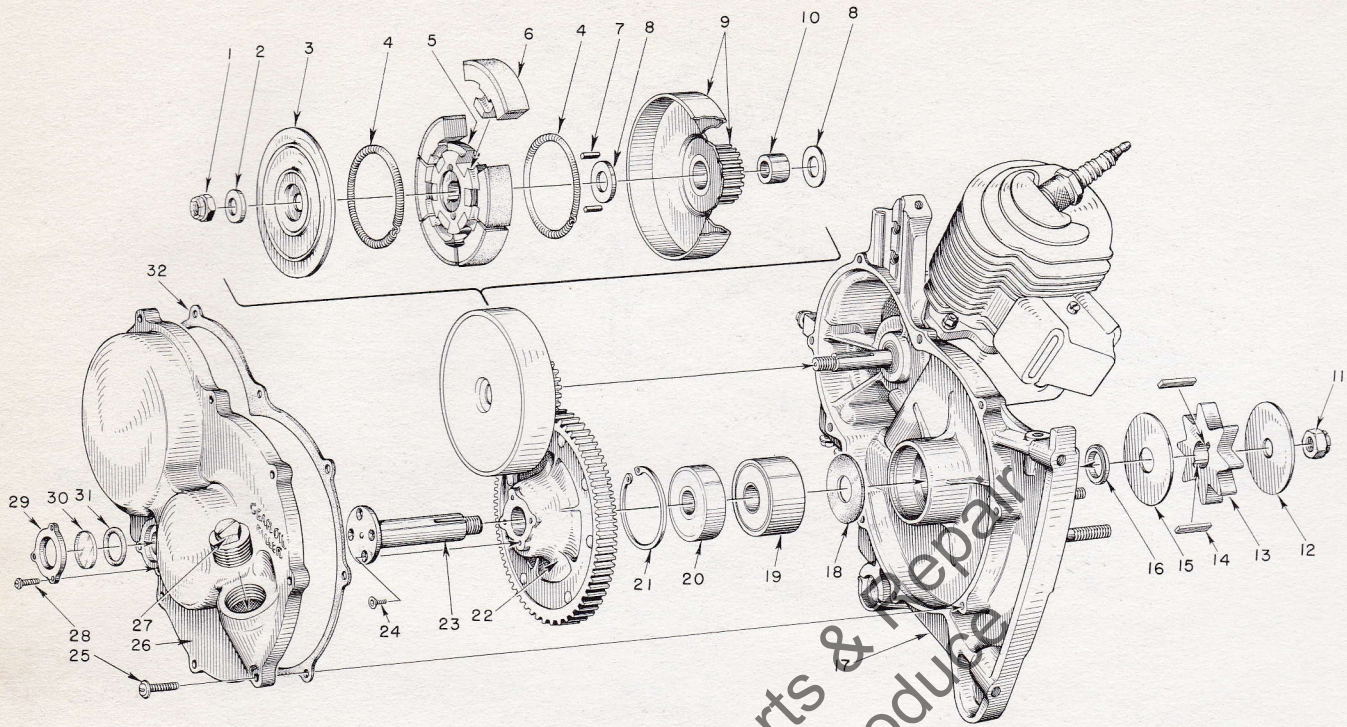


FIGURE 7 — GEAR CASE AND SPROCKET PARTS

SEPTEMBER 1957

Index No.	Part No.	Description	No. Required	Index No.	Part No.	Description	No. Required
1	81116	NUT— $\frac{3}{8}$ -24 flex-lock	1	17	*	CRANKCASE	1
2	55036	WASHER—clutch	1	18	56072	SEAL—formica	1
3	55126	COVER—clutch	1	19	56073	BEARING—roller	1
	A-56139	CLUTCH	1	20	72040	BEARING—ball	1
		Includes		21	28922	RING—retaining	1
4	55123-A	SPRING	2	22	A-56154	DRIVEN GEAR	1
5	55075-1	SPIDER	1	23	56070	SHAFT—sprocket	1
6	A-55692	SHOE	6	24	80651	SCREW—12-28 x $\frac{3}{8}$ flt hd., socket	4
7	55225	KEY—clutch	2	25	80572	SCREW—10-32 x $\frac{3}{8}$ pan hd.	9
8	56132	WASHER—thrust	2	26	AA-55226-A	COVER—gear case	1
9	A-56158	CLUTCH DRUM (and drive gear)	1			Includes	
10	56133	BEARING—drive gear	1	27	55140-A	PLUG—oil filler	1
11	81101	NUT— $\frac{1}{2}$ -20 flex-lock	1	28	80571	SCREW—6-32 x $\frac{3}{8}$ pan hd.	3
12	56077	WASHER—sprocket (outer)	1	29	55098	PLATE—window	1
13	55593-2	SPROCKET	1	30	55099	WINDOW—plastic	1
14	56076	KEY—sprocket	2	31	55100	GASKET—"O" ring	1
15	56074	WASHER—sprocket (inner)	1		56008	DECAL	1
16	56071	SPACER—sprocket	1	32	55053-A	GASKET—gearcase cover	1

* A-56207—for breakdown see Figure 8 Engine Assembly

HOMELITE CHAIN SAW MODEL 6-22

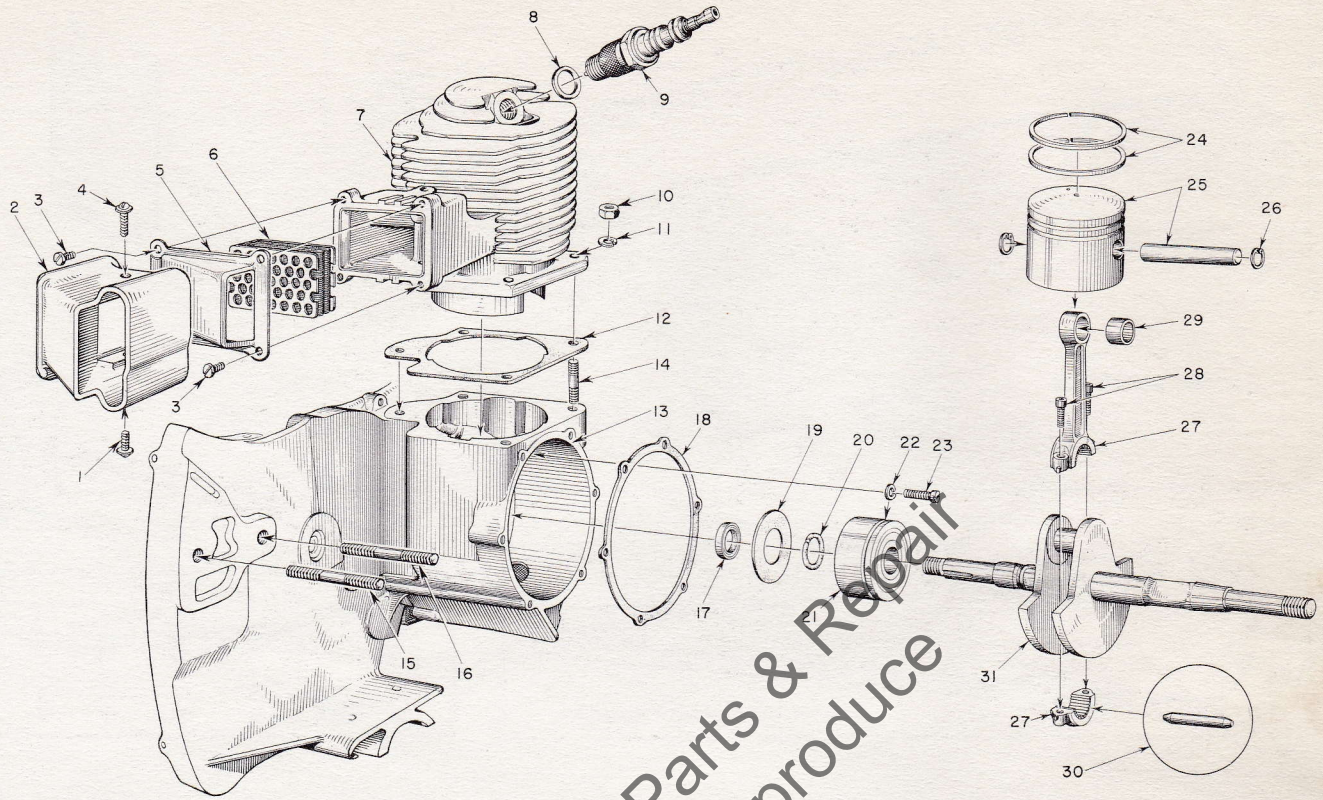


FIGURE 8 — ENGINE ASSEMBLY

SEPTEMBER 1957

Index No.	Part No.	Description	No. Required
1	80625	SCREW—10-32 x 1/2 pan hd.	1
2	55506-1	DAMPER	1
3	80630	SCREW—6-32 x 1/2 pan hd.	4
4	80583	SCREW—10-32 x 3/4 pan hd.	1
5	55507	CAP—exhaust	1
6	A-56068	ELEMENT—muffer	1
7	55490	CYLINDER	1
8	25038	GASKET (included with spark plug)	1
9	71530	SPARK PLUG—Champion HO-8A	1
10	81065-2	NUT—1/4-28 hex	4
11	83009	WASHER—1/4 lock	4
12	55050-A	GASKET—cylinder	1
13	A-56207	CRANKCASE	1
		Includes	
14	55871	STUD	4
	28097	PLUG—pipe 1/8	1
15	55606	STUD—guide bar (long)	1
16	55056-D	STUD—guide bar (short)	1

Index No.	Part No.	Description	No. Required
17	56134	SEAL—garlock	1
18	55049	GASKET—back plate	1
19	55048-A	GASKET—crankcase sealing	1
20	56109	RING—bearing retaining	1
21	56097	BEARING—main	1
22	83061	WASHER—lock, special thin	2
23	19238-A	SCREW—main bearing retaining	2
24	55537	RING—piston	2
25	A-55599	PISTON and PIN	1
		Includes	
26	55095	RING—piston pin retaining	2
27	AA-55195	CONNECTING ROD	1
		Includes	
28	80541	SCREW—8-32 x 1/2 allen cap	2
29	55196	BEARING—piston pin	1
30	AA-55280	ROLLERS (set of 27 needles)	1
31	56131	CRANKSHAFT	1

HOMELITE CHAIN SAW MODEL 6-22

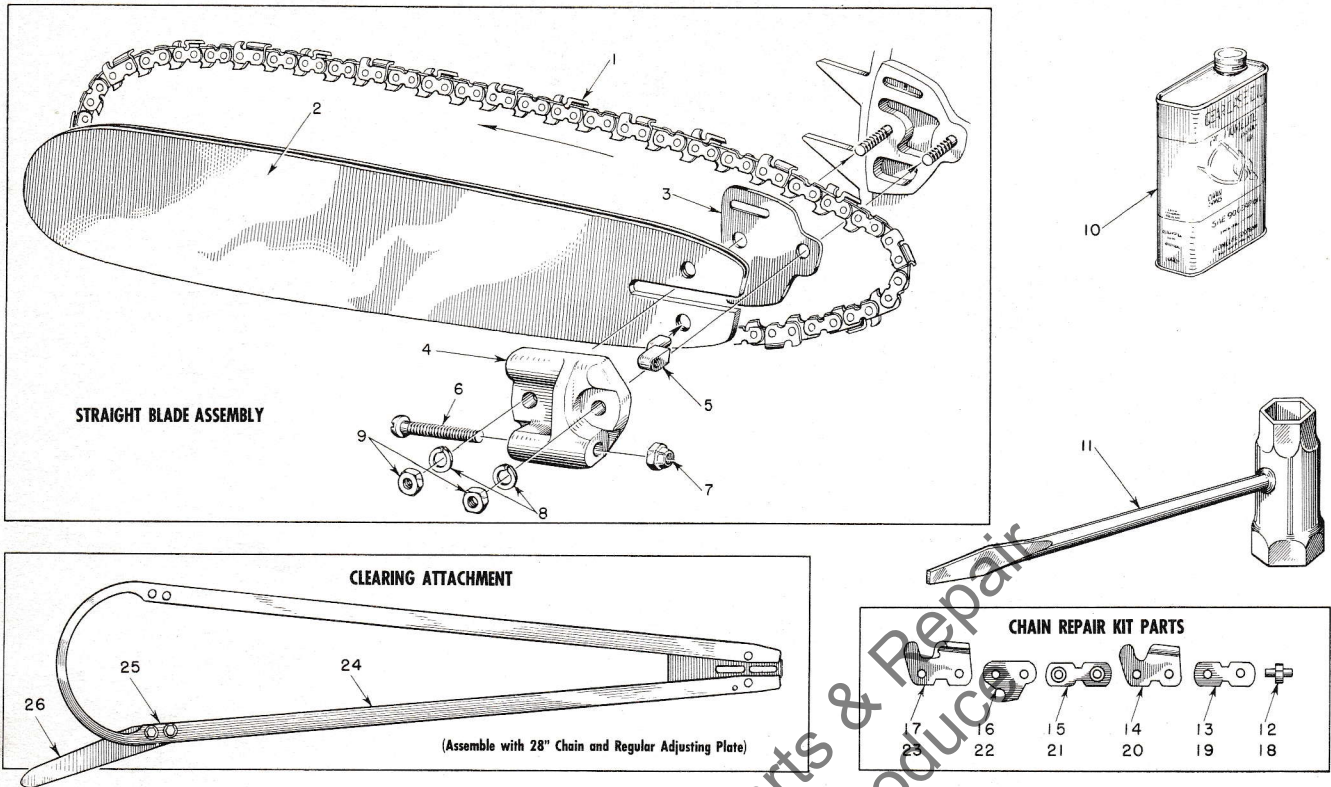


FIGURE 9—SAW PARTS

Index No.	Part No.	Description	No. Required	Index No.	Part No.	Description	No. Required
		OREGON #10C 1/2 PITCH CHAIN		3	55128	SHIM	1
1	A-55338	14" CHAIN—(with kit)	1		A-55591	ADJUSTING PLATE	1
	AA-73338	18" CHAIN—(with kit)	1			Includes	
	A-55319	20" CHAIN—(with kit)	1	4	55551-B	PLATE—adjusting	1
	*AA-73340	23" CHAIN—(with kit)	1	5	55552	PIN—guide bar adjusting	1
**	AA-73342	28" CHAIN—(with kit)	1	6	80617	SCREW—5/16-18 x 2 round hd.	1
	AA-73344	33" CHAIN—(with kit)	1	7	81123	NUT—hex lock	1
	AA-73346	38" CHAIN—(with kit)	1	8	83018	WASHER—lock	2
	AA-73350	44" CHAIN—(with kit)	1	9	81089	NUT—3/8-16 hex	2
	AA-73597	50" CHAIN—(with kit)	1	10	55291-A	OIL—gear (pint can SAE-90)	1
	AA-73598	60" CHAIN—(with kit)	1	11	22808	WRENCH—combination	2
		ATKINS #163 CT 1/2 PITCH CHAMFERED CHAIN			AA-73314	REPAIR KIT—OREGON #10C CHAIN	
	A-51586	14" CHAIN—(with kit)	1			Includes	
	A-51587	18" CHAIN—(with kit)	1	12	72959	RIVET	4
	A-51588	20" CHAIN—(with kit)	1	13	72960	LINK—connecting (plain)	2
	*A-51589	23" CHAIN—(with kit)	1	14	72964	CUTTER—left	1
**	A-51590	28" CHAIN—(with kit)	1	15	AA-72961	LINK—connecting (w/rivets)	2
	A-51591	33" CHAIN—(with kit)	1	16	73383	LINK—drive	1
	A-51592	38" CHAIN—(with kit)	1	17	72963	CUTTER—right	1
	A-51593	44" CHAIN—(with kit)	1		A-51578	REPAIR KIT—ATKINS #163 CT CHAIN	
	A-51594	50" CHAIN—(with kit)	1			Includes	
	A-51595	60" CHAIN—(with kit)	1	18	51585	RIVET	4
2	A-55714	14" BAR—.063	1	19	51580	LINK—connecting (plain)	2
	A-55718	18" BAR—hard track plus extra hard tip .063	1	20	51582	CUTTER—left	1
	A-55720	20" BAR—hard track plus extra hard tip .063	1	21	A-51583	LINK—connecting (w/rivets)	2
	A-55723	23" BAR—hard track plus extra hard tip .063	1	22	51579	LINK—drive	1
	A-55728	28" BAR—hard track plus extra hard tip .063	1	23	51581	CUTTER—right	1
	55704-1	33" BAR—extra hard tip .063	1	24	A-56169	CLEARING ATTACHMENT	1
	55705-1	38" BAR—extra hard tip .063	1			Includes	
	55706-1	44" BAR—extra hard tip .063	1	25	80604	Screw—hex hd. 5/16-24 x 3/4	2
	55707-1	50" BAR—extra hard tip .063	1	26	73820	SPUR—plunging	1
	55708-1	60" BAR—extra hard tip .063	1				

* Also fits 14" bow attachment.
 ** Also fits clearing attachment.

HOMELITE CHAIN SAW MODEL 6-22

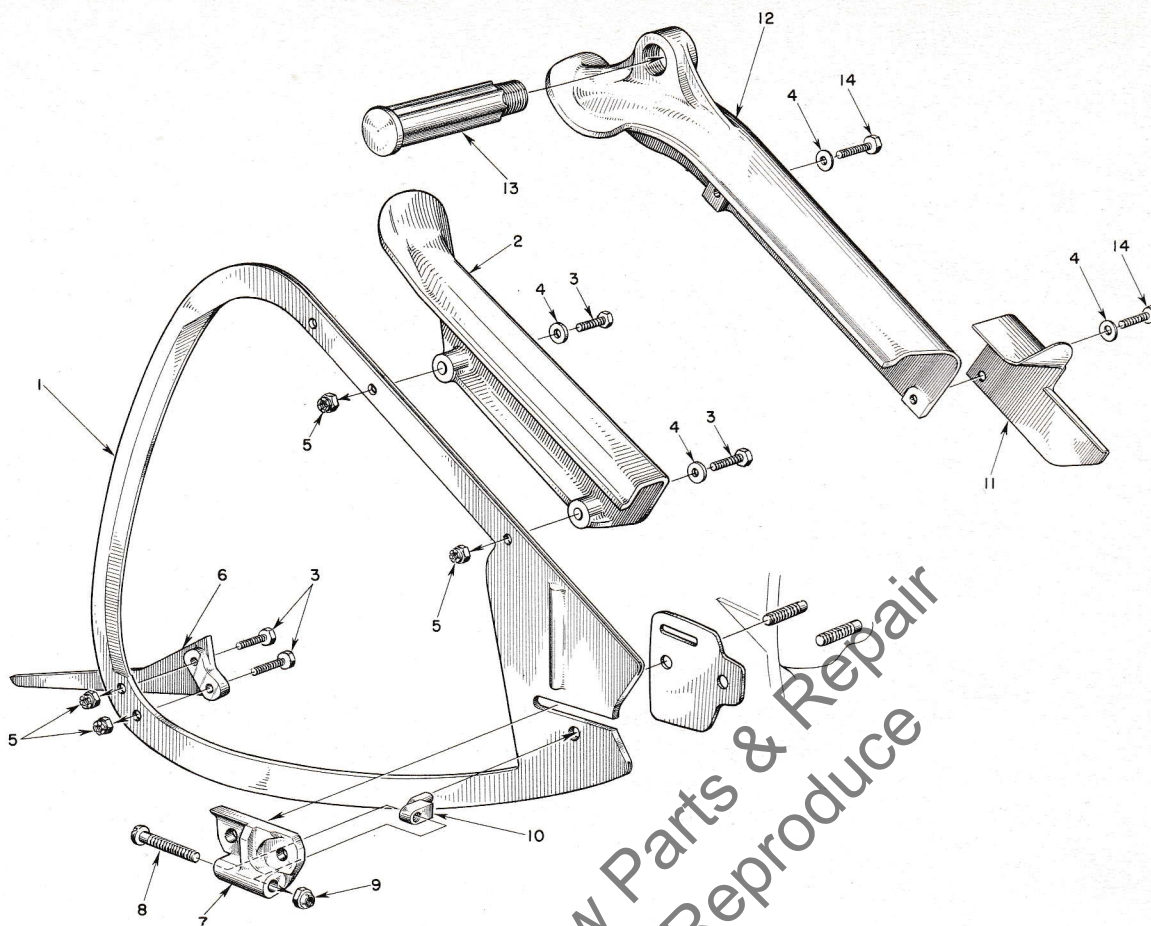


FIGURE 10 — PLUNGE CUT BOW ATTACHMENTS

SEPTEMBER 1957

Index No.	Part No.	Description	No. Required
NOTE: Use left hand column parts list for SHORT GUARD MODEL Bow Attachment.			
1	*55921	14" GUIDE—chain	1
	A-56192	KIT—bow mounting (w/short guard)	1
		Includes	
2	55948	GUARD—short	1
3	80546	SCREW— $\frac{5}{16}$ -24 x $1\frac{1}{4}$ hex	4
4	84001	WASHER— $\frac{5}{16}$ flat	2
5	81112	NUT— $\frac{5}{16}$ -24 hex lock	4
6	72784	SPUR	1
7	A-55591-1	ADJUSTING PLATE (bow)	1
		Includes	
8	80617	SCREW—tension adjusting	1
9	81123	NUT	1
10	55552	PIN	1

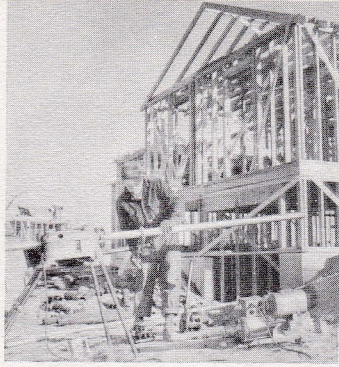
Index No.	Part No.	Description	No. Required
NOTE: Use right hand column parts list for LONG GUARD MODEL Attachment with side handle.			
1	*55921	14" GUIDE—chain	1
	A-55955	KIT—bow mounting (w/side handle)	1
		Includes	
3	80546	SCREW— $\frac{5}{16}$ -24 x $1\frac{1}{4}$ hex head	2
4	84001	WASHER— $\frac{5}{16}$ flat	2
5	81112	NUT— $\frac{5}{16}$ -24 hex lock	4
6	72784	SPUR	1
7	A-55591-1	ADJUSTING PLATE (bow)	1
		Includes	
8	80617	SCREW—tension adjusting	1
9	81123	NUT	1
10	55552	PIN	1
11	55297	GUARD	1
12	72778	GUARD (for side handle)	1
13	72226	HANDLE—side	1
14	80559	SCREW— $\frac{5}{16}$ -24 x $1\frac{1}{2}$ hex head	2

*Use 23" chain

**You'll
SPEED WORK
and make
MORE MONEY
with...**



HOMELITE
SELF-PRIMING PUMPS



HOMELITE
DEPENDABLE GENERATORS



HOMELITE
POWERFUL ONE-MAN CHAIN SAWS



HOMELITE
ONE-MAN CONCRETE VIBRATORS



HOMELITE — BOSCH (Germany)
ELECTRIC BUILDER'S HAMMERS

All Powered By Famous HOMELITE Engines

Homelite's two-cycle gasoline engines are the most efficient and dependable units of their kind ever built. Their two-cycle design, developed to perfection by Homelite engineers over the past 35 years, gives maximum power for the least weight because power is produced at every piston down stroke. As an added advantage, this design requires fewer moving parts which means greater dependability and lower maintenance.

SECOND EDITION

Printed in United States of America

Part No. 23210-1

30M-9-57

HOMELITE
a division of Textron Inc.
PORT CHESTER, N. Y.

A TRUSPECTIVE Publication by
The PURNELL COMPANY
Boston, Mass.