

HOMELITE®

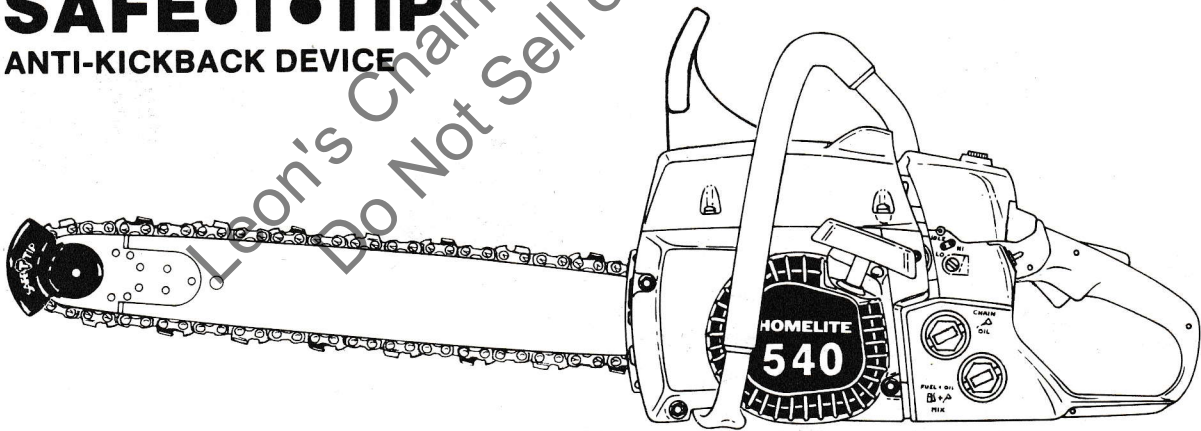
PART NO. 18087
Printed in U.S.A.
Price .35

PARTS LIST

540 CHAIN SAW

WITH

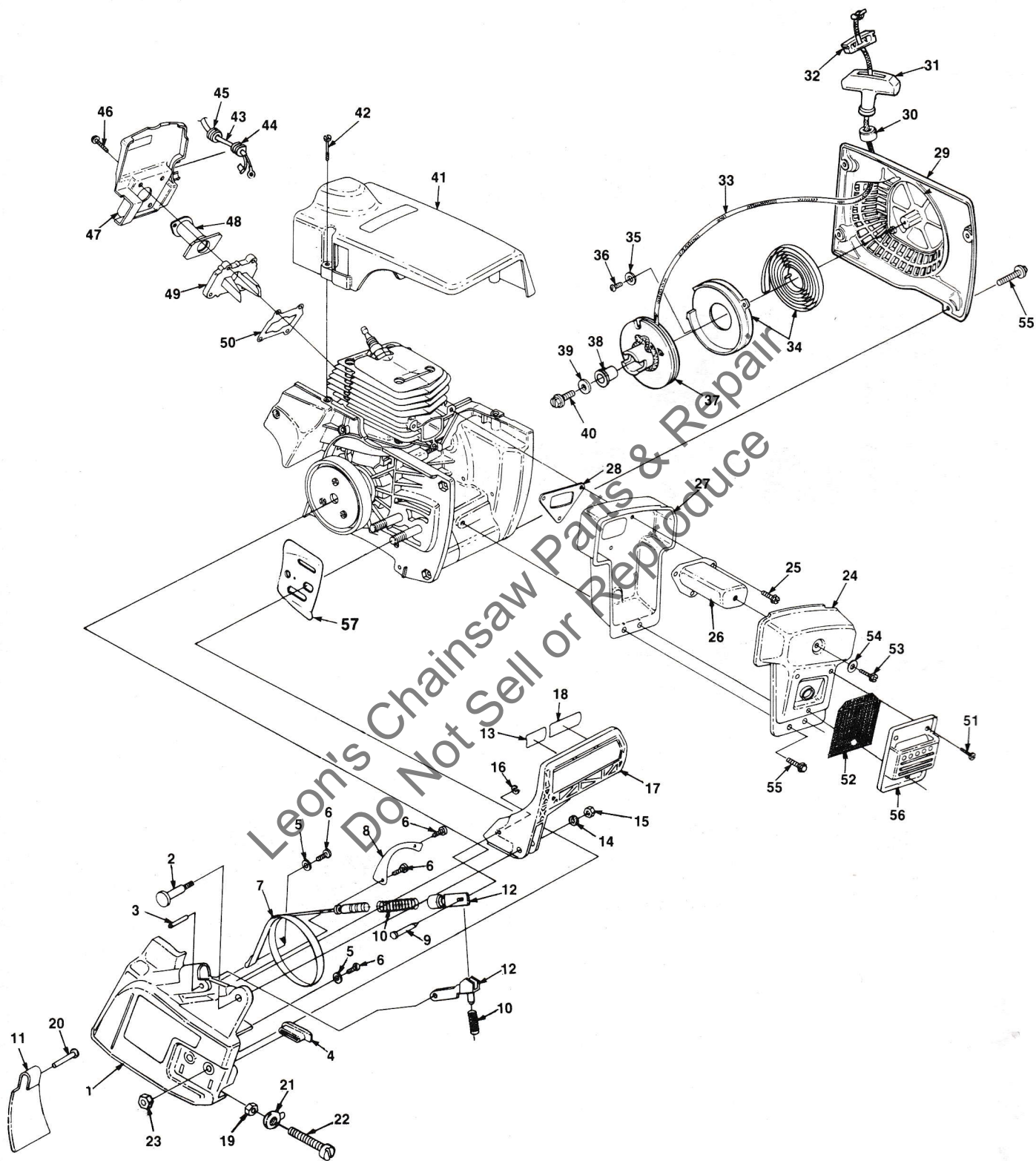
SAFE•T•TIP®
ANTI-KICKBACK DEVICE



HOMELITE **TEXTRON**

Homelite Division of Textron Inc.

540 FIGURE 1

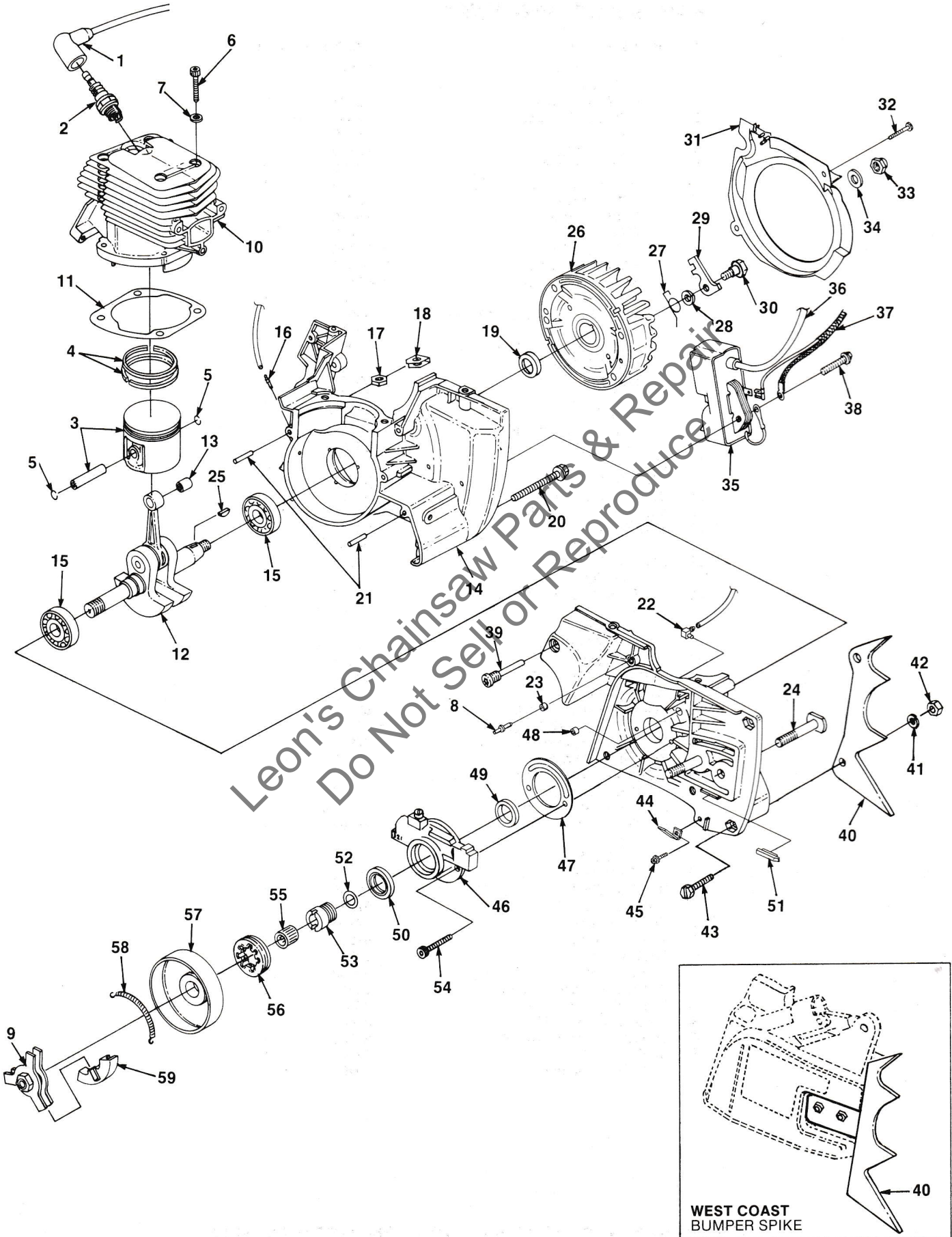


PARTS LIST - FIGURE 1

NO.	DESCRIPTION	PART NO.	QTY.
	KIT- Chain brake	A-98875	1
	Includes:		
1	COVER- Drivecase	A-98727	1
2	SCREW- Shoulder	98461	1
3	PIN	98456	1
4	GUIDE- Chain	98309	1
5	WASHER (4.3)	83205	2
6	SCREW- Form (3.5 x 13)	88148	4
7	BAND- Brake	A-98731	1
8	COVER- Brake band	98726	1
9	PIN	98422	1
10	SPRING SET	A-98480	1
11	SAWDUST SHIELD	93439	1
12	ADJUSTMENT SET	A-98481	1
13	DECAL	98564	1
14	WASHER- Belleville (12mm)	83203	1
15	NUT	98457	1
16	RING- Retaining (3.2)	83204	1
17	HANDGUARD	98740	1
18	DECAL	98563	1
19	NUT- Hex	81204	1
20	RIVET	85154	1
21	PIN- Guide bar adj.	93039	1
22	SCREW	63367	1
23	NUT	81089-2	2
24	COVER- Muffler	A-00310	1
25	SCREW- Hex sems 12-24	88065	3
26	MUFFLER DIFFUSER	A-00516	1
27	BODY- Muffler	A-98007	1
28	GASKET- Muffler	97682-A	1
29	HOUSING- Starter	A-97988-A	1
	Includes:		
30	BUSHING- Starter cover	67177	1
31	GRIP- Starter	A-69962-B	1
	Includes:		
32	INSERT- Rope Ret.	70018-A	1
33	ROPE- Starter	A-00518	1
34	SPRING & RETAINER	A-98067	1
35	WASHER- Flat (#8)	84025	2
36	SCREW- Rlastite (6 x 3/8")	82215	2
37	PULLEY & STARTER (w/cup)	A-97990	1
38	BUSHING- Starter post	97992	1
39	WASHER- Retaining	58763	1
40	SCREW- Thread forming (#10 x 5/8")	93417	1
41	COVER- Cylinder	97256	1
42	SCREW- Cylinder cover	93397-A	3
43	LEAD- Ignition	A-98583	1
	Includes:		
44	GROMMET	00314	1
45	GROMMET	58318	1
46	SCREW- Mach hex hd. (8/32 x 3/4")	82248	4
47	BAFFLE- Cylinder	97338-1A	1
48	BOOT- Intake	97263-A	1
49	ADAPTOR- Intake	97261-A	1
50	GASKET- Intake	97264	1
51	SCREW- Hex hd. (8-32 x .50)	80983	3
52	SCREEN- Spark arrestor	98827	1
53	SCREW- (10-32 x .375)	80870	1
54	WASHER- Flat (#10)	84003	1
55	SCREW- Sems 10-24 x 5/8"	88050	6
56	CAP- Muffler	A-98747	1
57	PLATE- Guide bar	70400	1

Leonia's Chainsaw Parts & Repair

540
FIGURE 2

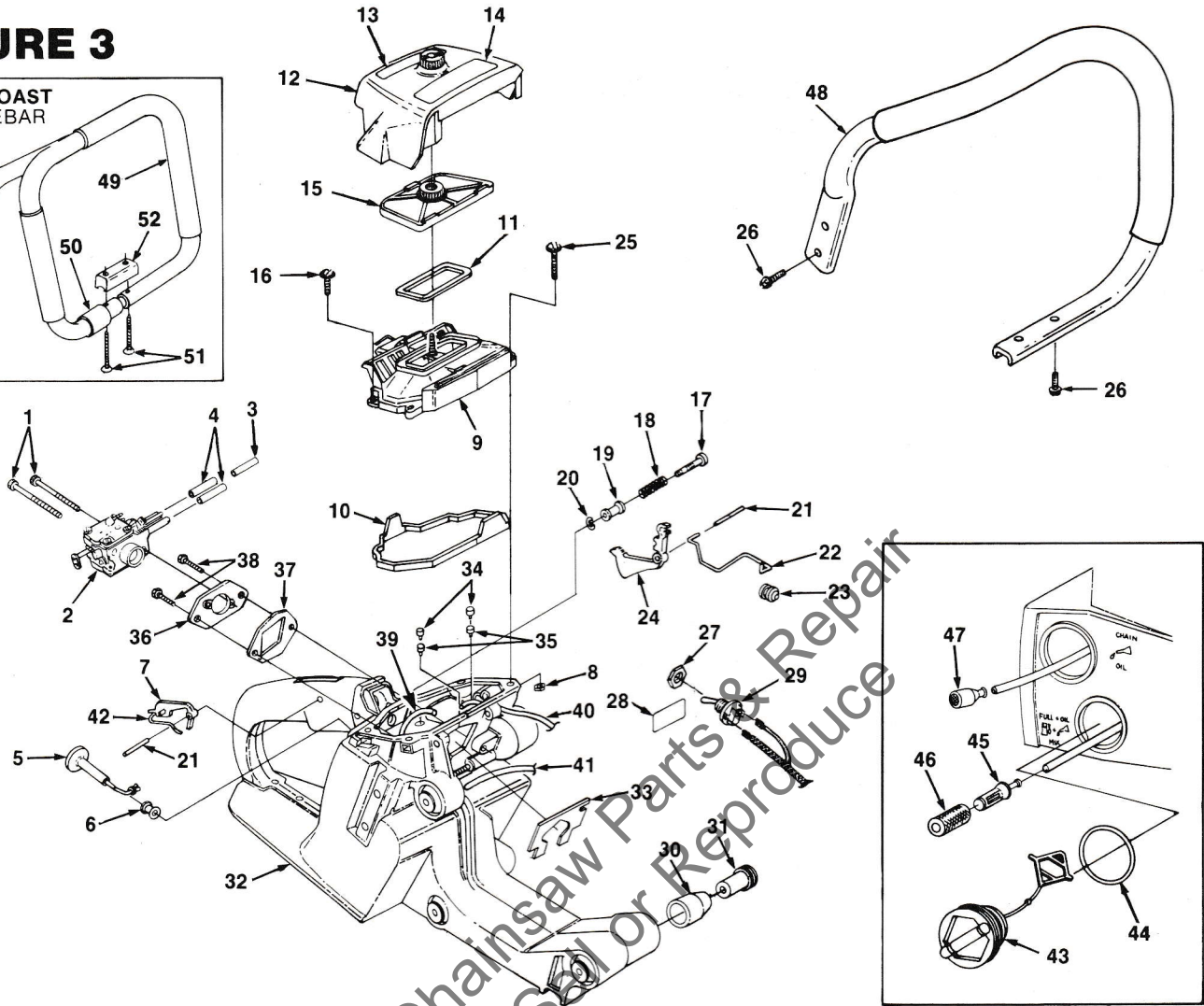
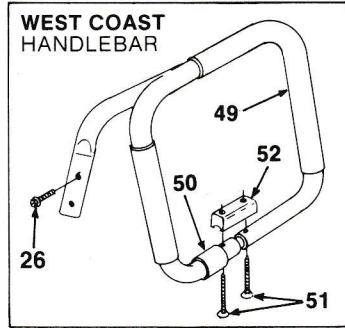


PARTS LIST - FIGURE 2

NO.	DESCRIPTION	PART NO.	QTY.
1	TERMINAL- Spark plug	A-55373-A	1
2	SPARK PLUG (CJ6Y)	93561-S	1
3	PISTON & PIN ASSEMBLY	A-00790	1
	Includes:		
4	PISTON RING	12659-A	2
5	RING- Retaining	98023	2
6	SCREW- Cap socket (10-24 x 1 1/8")	93399	4
7	WASHER- Conical	12021	4
8	PIN- Shoulder dowel	97331	1
9	SPIDER- Clutch	A-00023	1
10	CYLINDER	A-00785	1
	Includes:		
11	GASKET- Cylinder	97316	1
12	CRANKSHAFT	A-00792	1
	Includes:		
13	BEARING	93519	1
14	CRANKCASE ASSEMBLY	A-00791	1
	Includes:		
15	BEARING- Ball	94621	2
16	FITTING- Tube	69833	1
17	NUT- Lock (10-24)	81208	4
18	NUT- Retainer	12689-A	2
19	SEAL	58308-B	1
20	SCREW- Hex sems (10-24 x 2")	88057	5
21	PIN- Dowel	31062	2
22	FITTING- Tube	50558	1
23	BUSHING	97330	1
24	BOLT- Guide bar	93918	1
25	KEY- Woodruff	75078	1
26	ROTOR	93548	1
27	SPRING- Starter finger	65375-2	2
28	WASHER- Lock (#2)	70901	2
29	STARTER PAWL	58756	2
30	SCREW- Shoulder	64054-B	2
31	SCROLL- Air guide	97271	1
32	SCREW- Pan hd. (6-32 x .375)	82251	2
33	NUT- Lock hex (3/8-24)	81255	1
34	WASHER- Flat	95479-A	1
35	MODULE- Ignition	98751	1
36	LEAD- Ignition	A-97962	1
37	LEAD- Ground	A-98583	1
38	SCREW- (10-24 x 1")	88053	2
39	PIN- Isolator	93367	6
40	BUMPER SPIKE	97334	1
	BUMPER SPIKE (West Coast)	A-98969	1
41	WASHER- Lock (#12)	83056	2
42	NUT- Hex (#12-24)	81068	2
43	SCREW- Hex (12-24 x 5/8")	80978	2
44	CHAIN STOP	93535	1
45	SCREW- Pan hd. (8-32 x 5/8")	82331	1
46	OIL PUMP	A-00789	1
	Includes:		
47	GASKET	00191-A	1
48	TUBING	95201-01	1
49	SEAL	58308-B	1
50	SEAL- Felt	59926	1
51	GUIDE- Chain	98309	1
52	WASHER- Thrust	84119	1
53	WORM & BEARING	A-00357	1
54	SCREW- Soc. cap (1/4-20 x 5/8")	82302	2
55	BEARING- Needle	98883	1
56	SPROCKET- 7T x 3/8 Pitch	95058-A	1
57	DRUM- Clutch	A-00351	1
58	SPRING- Clutch	00028	1
59	SHOE- Clutch	00027	3

540

FIGURE 3



PARTS LIST - FIGURE 3

NO.	DESCRIPTION	PART NO.	QTY.
1	SCREW- Mach. Hex hd. (10-24 x 2")	82281	2
2	CARBURETOR- (WJ-2)	A-97318	1
3	TUBING	00089	1
4	TUBING	00088	2
5	ROD- Choke	97292	1
6	GROMMET	64862	1
7	TRIGGER- Lock	93385-A	1
8	NUT- 8-32	81009	4
9	COVER- Carburetor chamber	A-97296	1
	Includes:		
10	GASKET- Carburetor chamber	97298	1
11	GASKET- Air filter	97299	1
12	COVER- Air filter	A-97689	1
13	DECAL- Warning	00780	1
14	DECAL- Warning	96731	1
15	ELEMENT- Filter	A-97303	1
16	SCREW- (8-32 x 3/8")	80577	2
17	PIN- Throttle lock	95671	1
18	SPRING- Compression	95020	1
19	BUSHING- Flanged	95989	1
20	RING- Retaining	58409	1
21	PIN- Trigger	68548	2
22	ROD- Throttle	97294	1
23	BOOT- Throttle rod	69889	1
24	TRIGGER- Throttle	93842	1
25	SCREW- Pan head 8-32 x 5/8	80582	2
26	SCREW- Thread forming (12 x 3/4")	82516	4
27	NUT- Hex	72084-A1	1

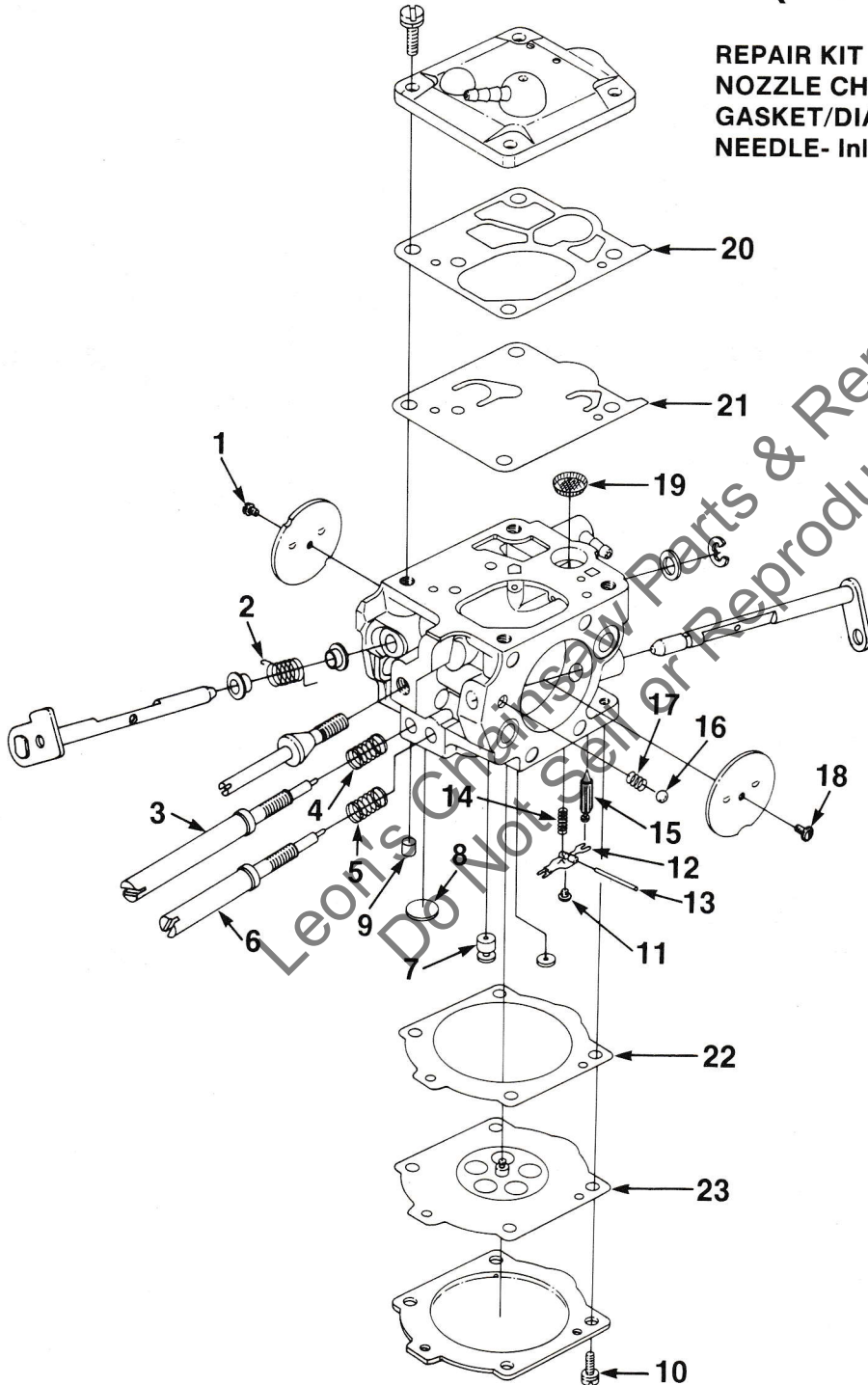
NO.	DESCRIPTION	PART NO.	QTY.
28	DECAL- Run, Stop	00806	1
29	SWITCH- Toggle	A-57650-A	1
30	ISOLATOR- Vibration	97305-A	6
31	SLEEVE- Flanged	97262	6
32	HOUSING- Engine	A-97690	1
	Includes:		
33	BRACKET	A-00691	1
34	FILTER ELEMENT	00788	2
35	VALVE- Duck bill	96841	2
36	ADAPTOR- Carburetor	97290-2	1
37	GASKET- Carburetor	97291	1
38	SCREW- Hex hd. (10-24 x 1/2")	88049	2
39	TUBING- Rubber (fuel line) 5 3/4"	93112-23	1
40	TUBING- Rubber (pulse line)	93157-23	1
41	TUBING- Rubber (oil line)	94772-27	1
42	SPRING- Flat	97265	1
43	CAP- Fuel & Oil	A-98882	2
	Includes:		
44	"O" RING	00787	2
45	FILTER- Fuel	A-97700	1
	Includes:		
46	ELEMENT- Felt filter	59253-1A	1
47	OIL FINDER	A-68593	1
48	HANDLEBAR	A-97311	1
49	HANDLEBAR (West Coast Models)	A-97313	1
	Includes:		
50	BUSHING	93428	1
51	SCREW	82515	2
52	SPACER	49530	1

ALWAYS FURNISH MODEL AND SERIAL NUMBER WHEN ORDERING PARTS.

CARBURETOR

(WJ-2) Walbro A-97318

REPAIR KIT (1-23)	97936
NOZZLE CHECK VALVE (7)	97943
GASKET/DIAPHRAGM KIT (20-23)	97941
NEEDLE- Inlet (15)	97942



HEADQUARTERS

HOMELITE DIVISION OF TEXTRON INC.

P.O. BOX 7047
14401 CAROWINDS BOULEVARD
CHARLOTTE, N.C. 28241

OVERSEAS OFFICES

HOMELITE TEXTRON

Une Division de Textron Atlantic S.A.R.L.
B.P. 7011
95050 Cergy-Pontoise Cedex
France

HOMELITE DIVISION OF TEXTRON INC.

Pacific Limited
P.O. BOX 209
Blackburn, 3130
Victoria, Australia

HOMELITE DIVISION OF TEXTRON INC.

Korenaarstraat 1
2153 BM Nieuw Vennepe
The Netherlands

HOMELITE DIVISION OF TEXTRON LTD.

Unit 22, Hither Trading Estate
Clevedon, Avon, U.K. BS21 6XU

CANADIAN OFFICES

HOMELITE DIVISION OF TEXTRON INC.

1850 55th Avenue
Lachine, Quebec, Canada
H8T-3J5

3260 Viking Way
Richmond, British Columbia
V6V 1N6

16520, 111th Avenue
Edmonton, Alberta
T5M 3V8

37 Densley Avenue
Toronto, Ontario
M6M 2P5

45 Brandon Street
Moncton, New Brunswick
E1C 7E7

HOMELITE **TEXTRON**

Homelite Division of Textron Inc.