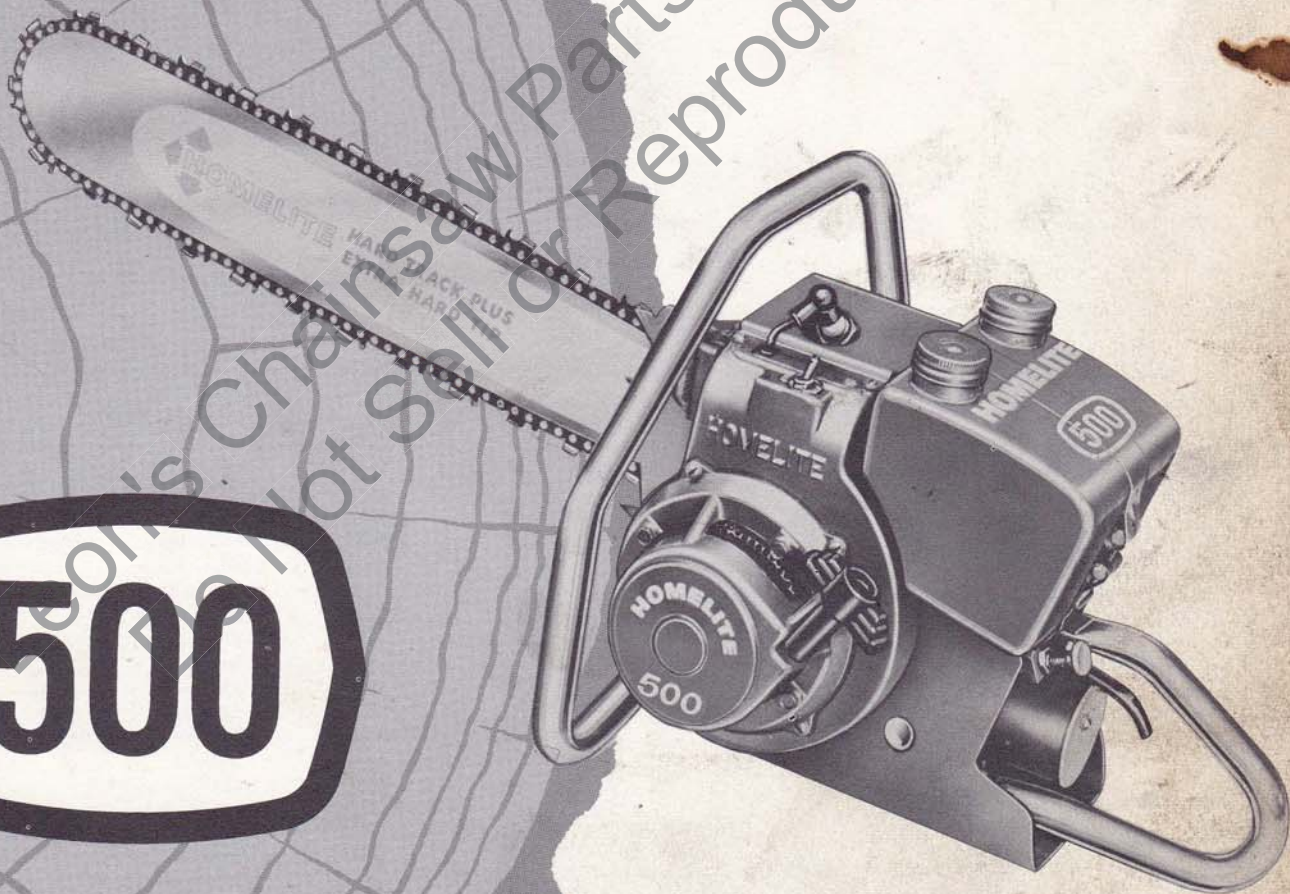


# HOMELITE CHAIN SAW



People's Chain Saw Parts & Repair  
Not for Sale or Reproduce

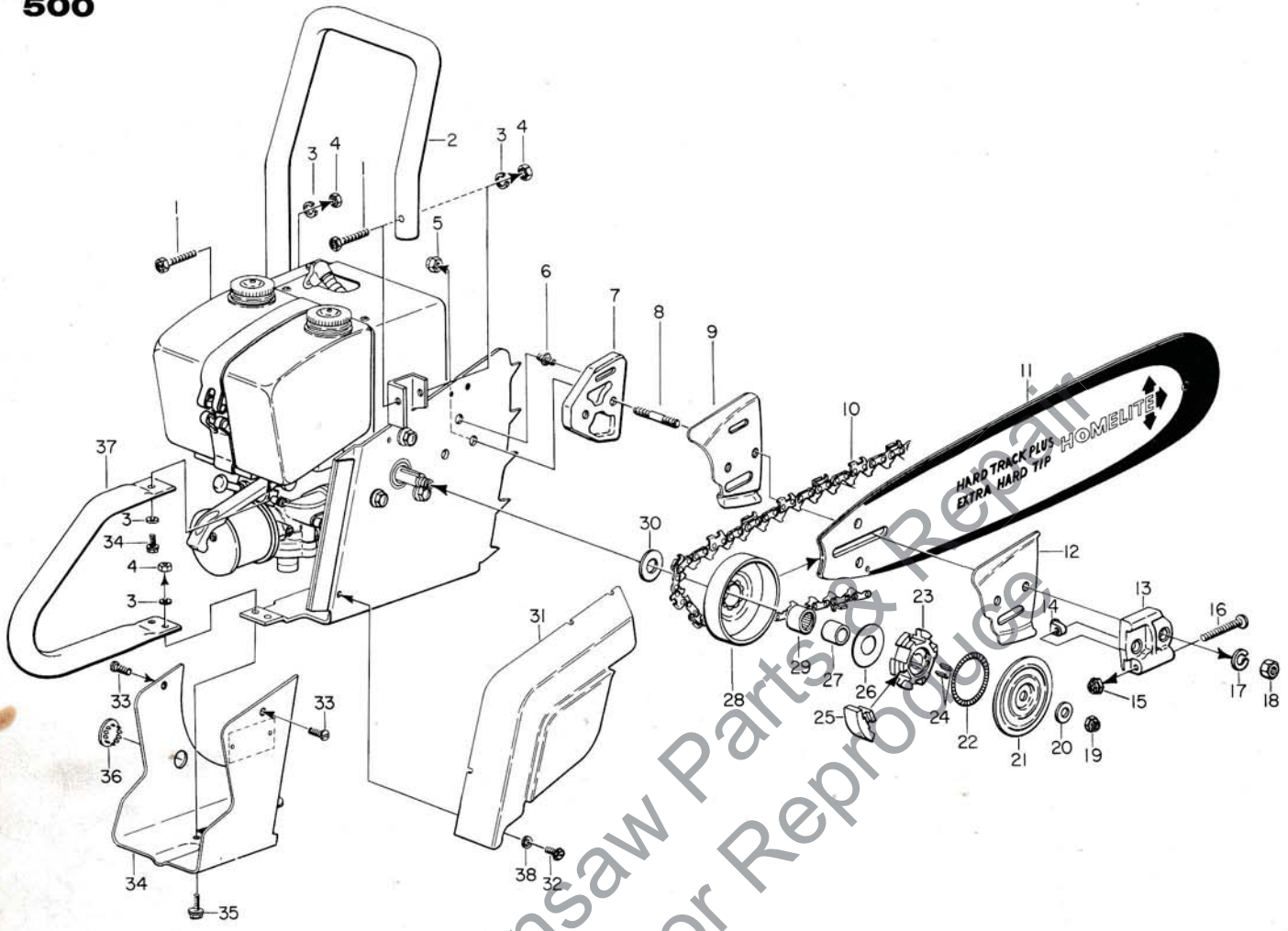
**PARTS LIST**

July 1960



# HOMELITE 500

# SAW PARTS



JULY 1960

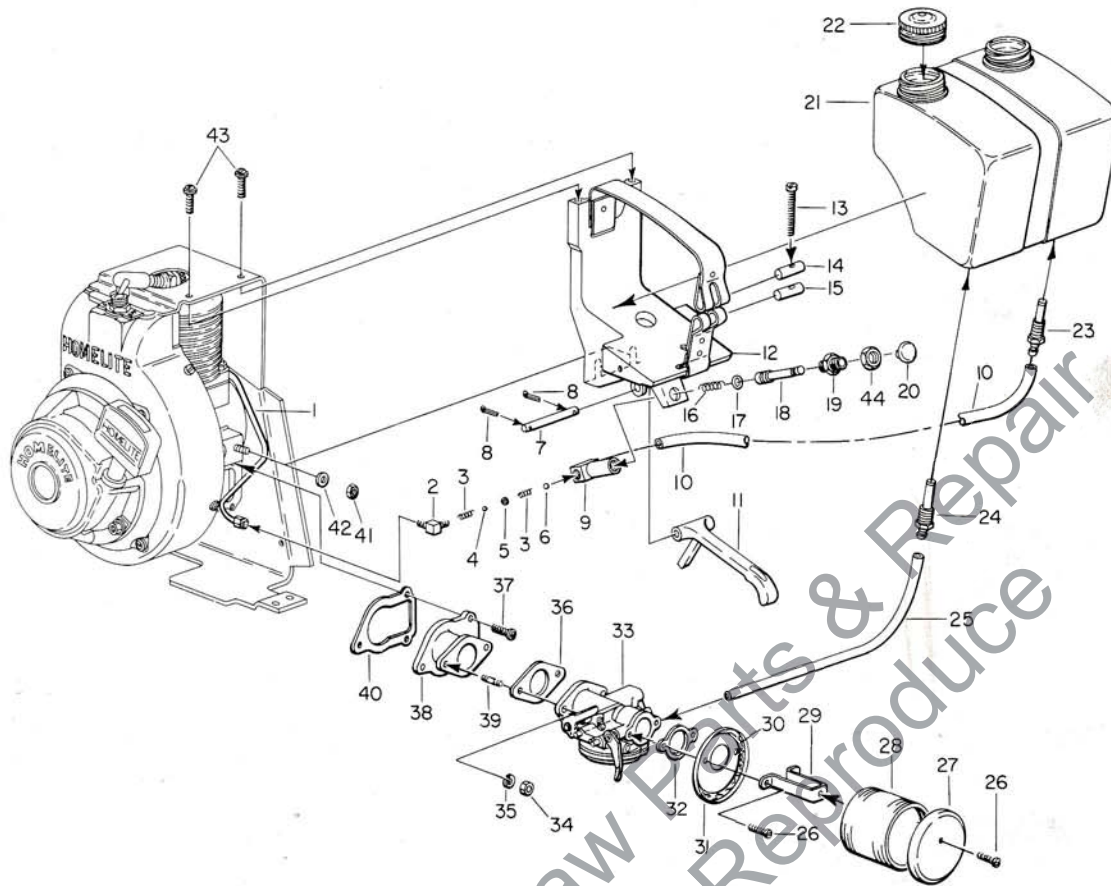
Index No.	Part No.	Description	No. Required
1	80447	SCREW—hex hd., 1/4-20 x 1 3/8"	2
2	A-57125	HANDLE BAR	1
3	83009	WASHER—lock, 1/4"	5
4	81013	NUT—hex, 1/4-20	4
5	81137	NUT—Flexlock, 3/8-16	2
6	31733-1	ADAPTER—oil line	1
7	56701-A	PAD—guide bar	1
8	55606	STUD	2
9	56871	PLATE—guide bar (inner)	1
10	A-51542	12" CHAIN—3/16" pitch chipper	1
	A-51535	17" CHAIN—3/16" pitch chipper	1
	A-51536	21" CHAIN—3/16" pitch chipper	1
11	A-51545	12" HOMELITE BAR	1
	A-51517	17" HOMELITE BAR	1
	A-51521	21" HOMELITE BAR	1
12	56872-A	PLATE—guide bar (outer)	1
	A-55591-2	ADJUSTING PLATE ASSEMBLY	1
		Includes	
13	55551-B	PLATE	1
14	55552	PIN—guide bar adjusting	1
15	81123	NUT—lock, hex, 3/16-18	1
16	80617	SCREW—rd. hd., 3/16-18 x 2"	1

Index No.	Part No.	Description	No. Required
17	83018	WASHER—lock, 3/8"	2
18	81089	NUT—hex, 3/8-16	2
19	81116	NUT—Flexloc, 3/8-24	1
20	55036	WASHER—clutch retaining	1
21	56238-A	COVER—clutch	1
22	55123-B	SPRING—clutch	2
23	55075-3	SPIDER—clutch	1
24	55225-1	KEY	2
25	55076-1	SHOE—clutch	3
26	56132	WASHER—thrust (outer)	1
27	56231	RACE—inner	1
28	A-56299	SPROCKET AND DRUM ASSEMBLY	1
		Includes	
29	56230	BEARING—needle	1
30	56236	WASHER—thrust (inner)	1
31	57122	GUARD—chain	1
32	80763	SCREW—hex hd., slotted, 12-24 x 3/16"	2
33	80625	SCREW—pan hd., 10-32 x 1/2"	2
34	57121	GUARD—rear	1
35	80049	SCREW—hex hd., 1/4-20 x 5/8"	3
36	29187	PLUG—button	1
37	57124	HANDLE—throttle	1
38	84006	WASHER—flat, 1/4"	2

# HOMELITE 500

Always give model and serial number of unit when ordering parts.





JULY 1960

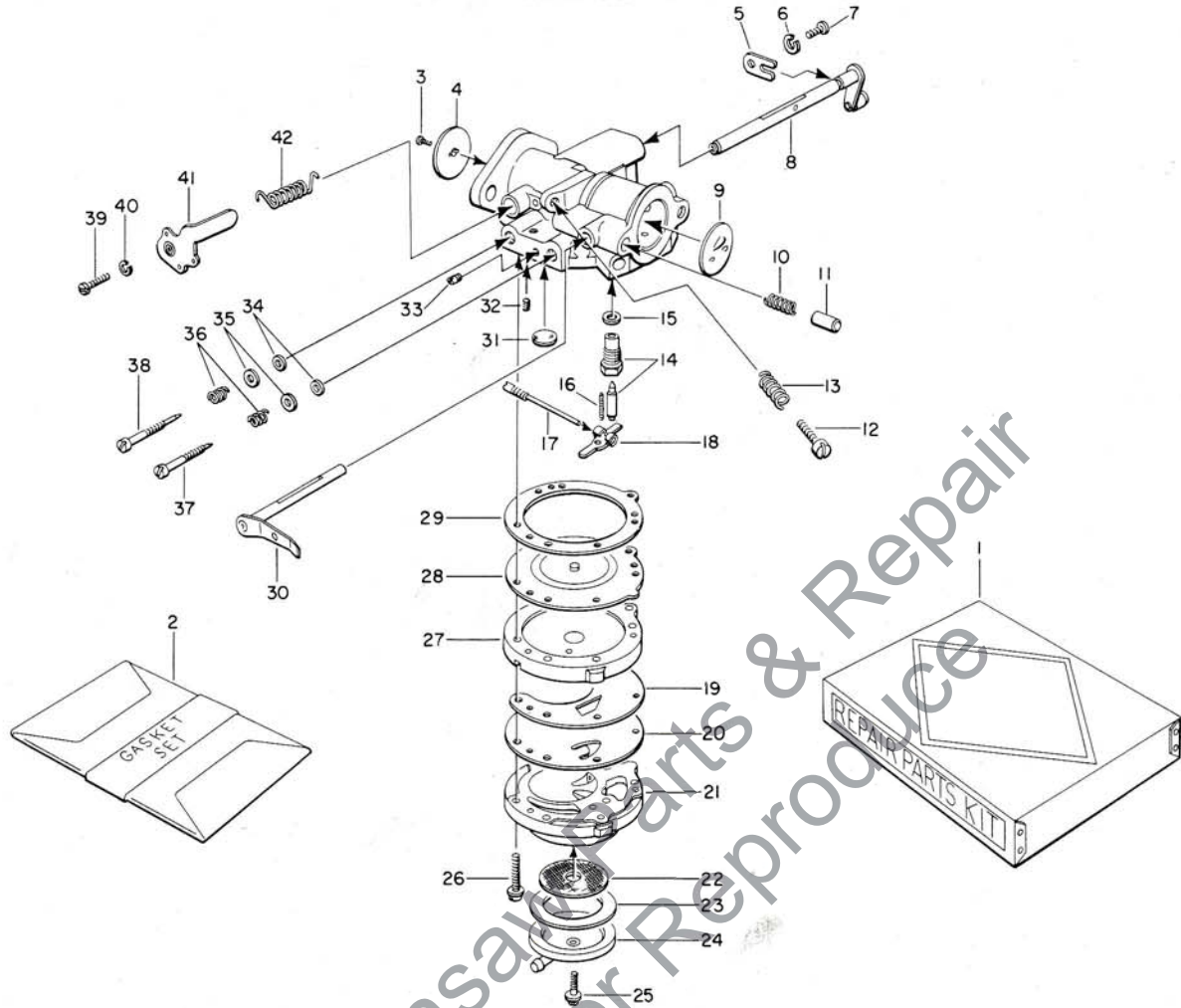
Index No.	Part No.	Description	No. Required	Index No.	Part No.	Description	No. Required
1	A-57145	OIL LINE ASSEMBLY	1	23	57326	DECAL—"500"	1
2	57288	CONNECTOR ELBOW	1	24	56765	ADAPTER—screen	1
3	57286	SPRING—check valve	2	25	57138	ADAPTER—screen	1
4	57284	BALL—steel, 5/32" dia.	1	26	76178	FUEL LINE (tank to carburetor)	1
5	57287	SPACER—valve	1	27	80579	SCREW—pan hd., 10-32 x 3/8"	3
6	57285	BALL—steel, 3/16" dia.	1	28	A-57306	COVER—filter (front) (w/57031 GASKET)	1
7	57139	FULCRUM PIN	1	29	56788-A	ELEMENT—air filter	1
8	86301	PIN—cotter	2	30	56787	BRACKET—air filter	1
9	57280	BODY—pump	1	31	57031	GASKET—felt (cemented to each cover)	1
10	57292	OIL LINE (tank to oil pump)	1	32	A-57305	COVER—filter (back) (w/57031 GASKET)	1
11	56891	TRIGGER—throttle	1	33	72971-1	GASKET—air filter	1
12	A-57277	SADDLE BRACKET AND STRAP (see note)	1	34	33	CARBURETOR ASSEMBLY (see pg. 4 for Tillotson and pg. 5 for Brown)	1
13	80749	SCREW—fil. hd., 10-32 x 1 3/8"	1	35	81013	NUT—hex, 1/4-20	2
14	56734	STUD—strap (plain)	1	36	83009	WASHER—lock 1/4"	2
15	56735	STUD—strap (threaded)	1	37	55553	GASKET—carburetor	1
16	57283	SPRING—piston	1	38	80583	SCREW—pan hd., 10-32 x 3/4"	3
17	74388	"O"—RING	1	39	A-55679-A2	REED VALVE ADAPTER	1
18	57281	PISTON—pump	1			Includes	
19	57282	NUT—piston	1	40	27464	STUD	2
20	57289	BUTTON—pump piston	1	41	55116	GASKET—reed valve adapter	1
21	A-57276	FUEL TANK	1	42	81065-2	NUT—hex, 1/4-28	2
		Includes		43	84019	WASHER—flat, 1/4"	2
22	56762	CAP	2	44	80577	SCREW—pan hd., 8-32 x 3/8"	2
	56754	DECAL—"fuel mix"	1		81151	NUT—mounting, 3/8-24	1
	56755	DECAL—"chain oil"	1				
	56750	DECAL—"HOMELITE"	1				

Note: Tank mounting straps, presently spot welded to saddle bracket, are replaceable separately. For upper (long) strap, order part 57143; for lower (short) strap, order part 57144. Fasten with rivets, part No. 85000.

Always give model and serial number of unit when ordering parts.

# HOMELITE 500





JULY 1960

Index No.	Part No.	Description	No. Required
1	77392	REPAIR PARTS KIT (RK-420)	1
2	**77342	GASKET SET (GS-145)	1
	A-56760	CARBURETOR—Tillotson Model HL-82A Composed of items 3 thru 42	1
3	**28049	SCREW—throttle shutter	1
4	75532	SHUTTER—throttle	1
5	73086	CLIP—throttle shaft	1
6	83000	WASHER—lock, No. 8	1
7	73088	SCREW—flat hd., 8-32 x 5/16"	1
8	A-56769	THROTTLE SHAFT	1
9	75734	SHUTTER—choke	1
10	73264	SPRING—choke friction	1
11	71494	PIN—choke friction	1
12	**71509	SCREW—idle stop	1
13	**28064	SPRING—idle stop screw	1
14	**A-55761	INLET NEEDLE and SEAT Includes	1
15	55344	GASKET—inlet seat	1
16	**55759	SPRING—control lever	1
17	A-55762	PIN—control lever	1
18	**55747	LEVER—control	1
19	55881	GASKET—pump diaphragm	1
20	*55753	DIAPHRAGM—pump	1

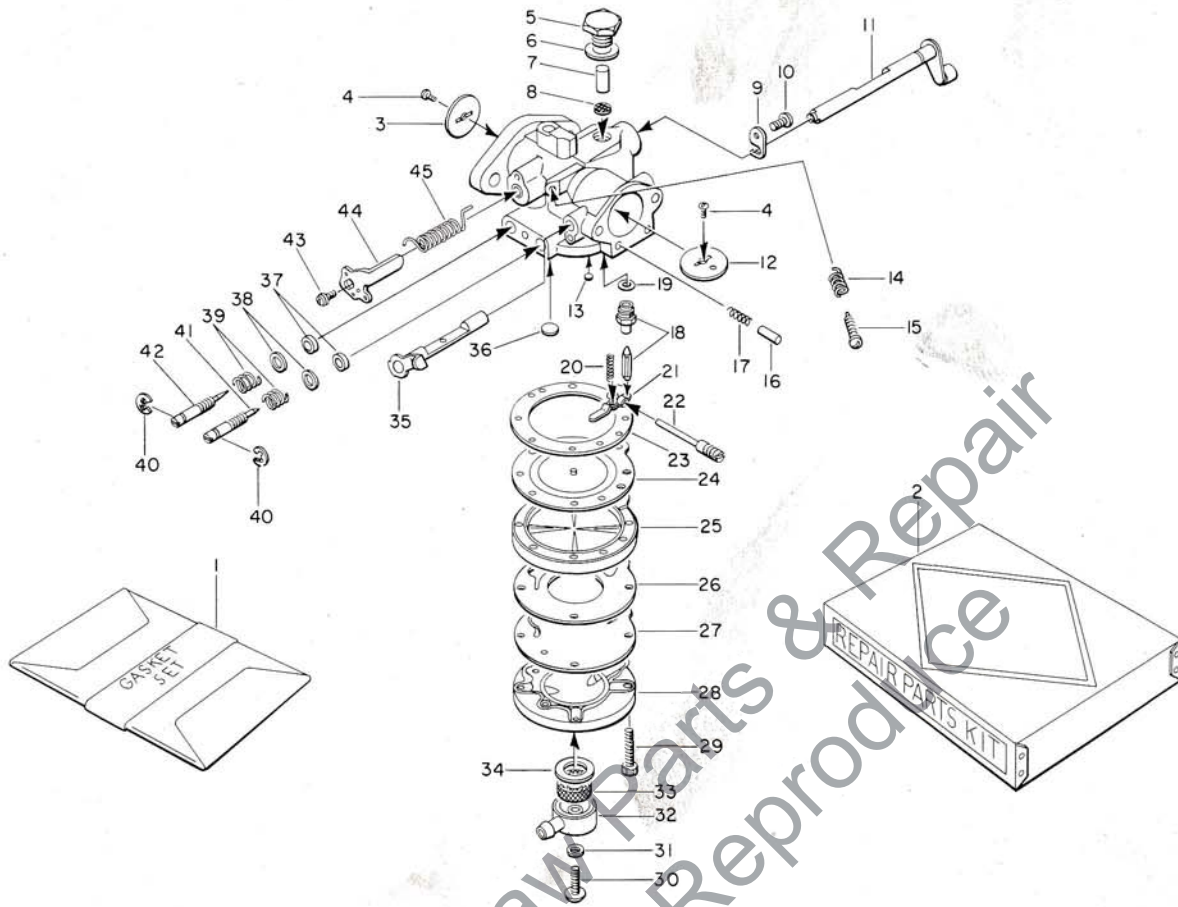
Index No.	Part No.	Description	No. Required
21	55748	COVER—fuel pump	1
22	55752	SCREEN—fuel inlet	1
23	*55751	GASKET—fuel inlet	1
24	55750	TURRET—fuel inlet	1
25	55756	SCREW—turret	1
26	55316	SCREW—body, w/lockwasher	6
27	55749	COVER—main diaphragm	1
28	*A-55760	DIAPHRAGM—main	1
29	*55754	GASKET—main diaphragm	1
30	A-77400	CHOKE SHAFT AND LEVER	1
31	30818	PLUG—welch (idle channel)	1
32	55763	PLUG—main channel	1
33	73067	PLUG—drain	1
34	*75733	PACKING—adjustment screw	2
35	75735	WASHER—adjustment screw	2
36	73075	SPRING—adjustment screw	2
37	**75736	SCREW—idle mixture adjustment	1
38	**75739	SCREW—main mixture adjustment	1
39	**71521	SCREW—rd. hd., 4-36 x 1/4"	1
40	**71522	WASHER—lock, No. 4	1
41	77247-1	LEVER—throttle stop	1
42	75731	SPRING—throttle return	1

\*Included in Gasket Set GS145.

\*\*Included in Repair Parts Kit RK-420.

# BROWN CARBURETOR

**HOMELITE**  
**500**



JULY 1960

Index No.	Part No.	Description	No. Required	Index No.	Part No.	Description	No. Required
1	**77336	GASKET SET (BGS-152)	1	22	**A-77326	PIN—control lever	1
2	.77398	REPAIR PARTS KIT (BRK-165)	1	23	*77368	GASKET—main diaphragm	1
	A-56761	CARBURETOR—Brown Model 9-CP	1	24	*A-77370	DIAPHRAGM—main	1
		Composed of items 3 thru 45		25	77371	COVER—main diaphragm	1
3	74980	SHUTTER—throttle	1	26	*77305	GASKET—pump	1
4	77044	SCREW—shutter, rd. hd., 4-40 x 1/8"	2	27	*77304	DIAPHRAGM—pump	1
5	**77306	SCREW—plug	1	28	A-77374	BODY—pump	1
6	77307	GASKET—plug screw	1	29	77160	SCREW—body, fil. hd., 6-32 x 3/4"	4
7	†	FILTER—felt	1	30	77320	SCREW—fuel connection	1
8	†	SCREEN—filter	1	31	*74997	GASKET—fiber	1
9	**74981	CLIP—throttle shaft	1	32	77318	TURRET—fuel inlet connection	1
10	**77041	SCREW—throttle clip, pan hd., 16-32 x 3/16"	1	33	77376	SCREEN	1
11	A-77389	THROTTLE SHAFT	1	34	*77319	GASKET—turret	1
12	74991	SHUTTER—choke	1	35	A-77397	CHOKE LEVER and SHAFT	1
13	**77381	PLUG—welch (main channel)	1	36	**74977	PLUG—welch, idle channel	1
14	77010	SPRING—idle stop screw	1	37	*77007	RING—square (packing)	2
15	77040	SCREW—idle stop, rd. hd., 6-32 x 3/16"	1	38	**77006	WASHER—adjustment packing	2
16	77018	PIN	1	39	**77005	SPRING—adjustment compression	2
17	77017	SPRING	1	40	77004	CLIP—spring retaining	2
18	**A-77327	NEEDLE and SEAT—inlet	1	41	**A-77328	SCREW—main mixture adjustment	1
		Includes		42	**A-77251	SCREW—idle mixture adjustment	1
19	*77346	GASKET—copper	1	43	**77042	SCREW—idle stop	1
20	**77015	SPRING—control lever	1	44	74989	LEVER—throttle stop	1
21	**77016	LEVER—control	1	45	**77391	SPRING—throttle return	1

\*Included in Gasket Set BGS152.

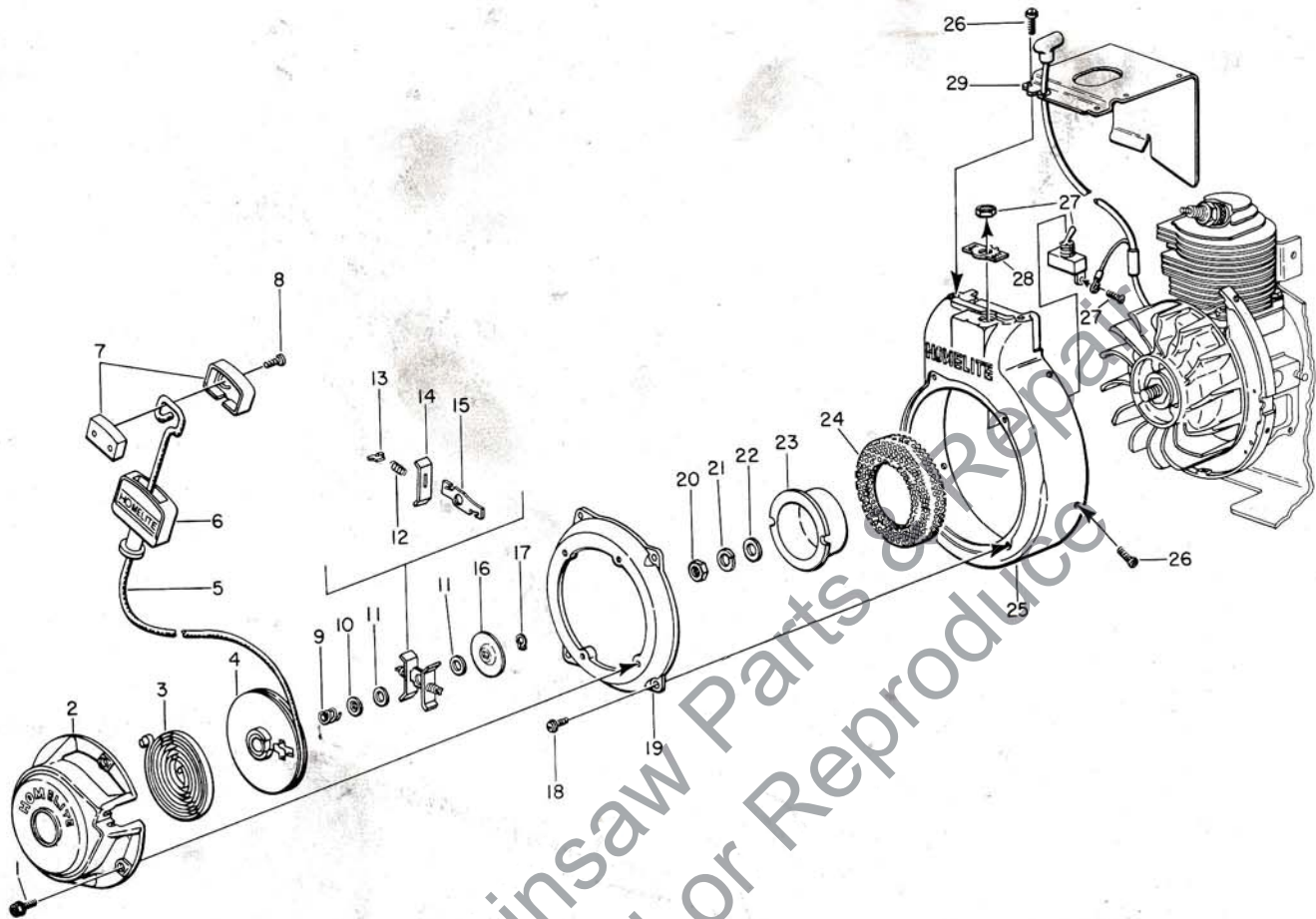
\*\*Included in Repair Parts Kit BRK165.

† No longer required.

Always give model and serial number of unit when ordering parts.

**HOMELITE**  
**500**





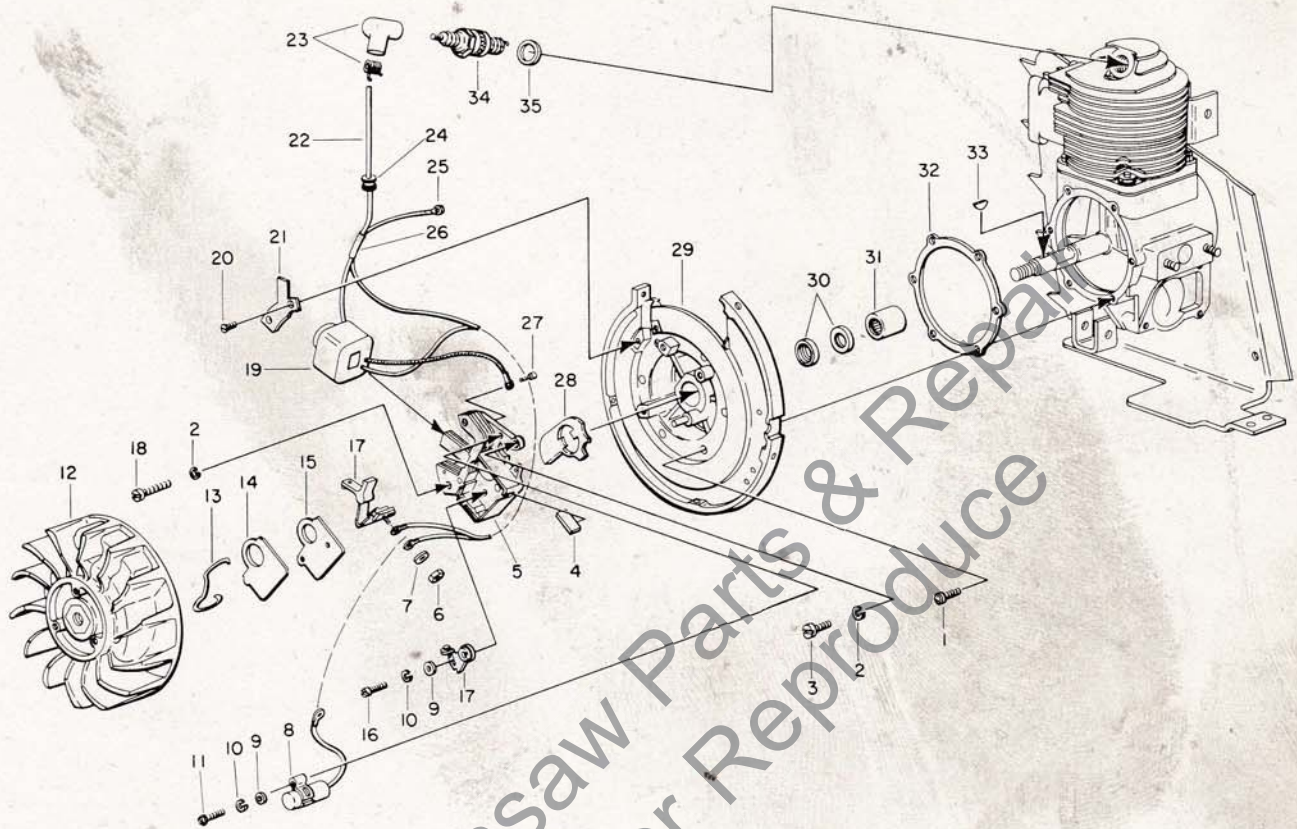
JULY 1960

Index No.	Part No.	Description	No. Required
	A-56487	RECOIL STARTER ASSEMBLY	1
1	80681	SCREW—hex hd., 1/4-20 x 1/2"	4
2	*56450-2	COVER—pulley	1
	*56752	DECAL—"HOMELITE"	1
	*57327	DECAL—"500"	1
3	*56451	SPRING—rewind	1
4	*56452	PULLEY	1
5	*55898	STARTING ROPE	1
6	*55937	GRIP—starting	1
7	*A-56081	INSERT—grip	1
		Includes	
8	*80619	SCREW—flat hd., 10-32 x 3/8"	2
9	*56455	SPRING—brake	1
10	*56456	WASHER—brake	1
11	*56457	WASHER—fiber	2
12	*56460	SPRING—friction shoe	2

Index No.	Part No.	Description	No. Required
13	*56461	PLATE—spring retainer	2
14	*56459	PLATE—friction shoe	2
15	*56458	LEVER—brake	1
16	*56462	WASHER—brake retainer	1
17	*56463	SNAP RING	1
18	80576	SCREW—pan hd., 10-32 x 3/16"	4
19	56426	ADAPTER—starter	1
20	81110	NUT—hex, 7/16-20	1
21	83019	WASHER—lock, 7/16"	1
22	84055	WASHER—flat, 7/16"	1
23	*56441	CUP—starter	1
24	*56442	SCREEN—starter	1
25	A-55650	HOUSING—fan	1
26	80577	SCREW—pan hd., 8-32 x 3/8"	7
27	A-55877	"ON-OFF" SWITCH	1
28	55879	PLATE—"ON-OFF"	1
29	57105	SHIELD—cylinder	1

\*Included in Recoil Starter Assembly A-56487





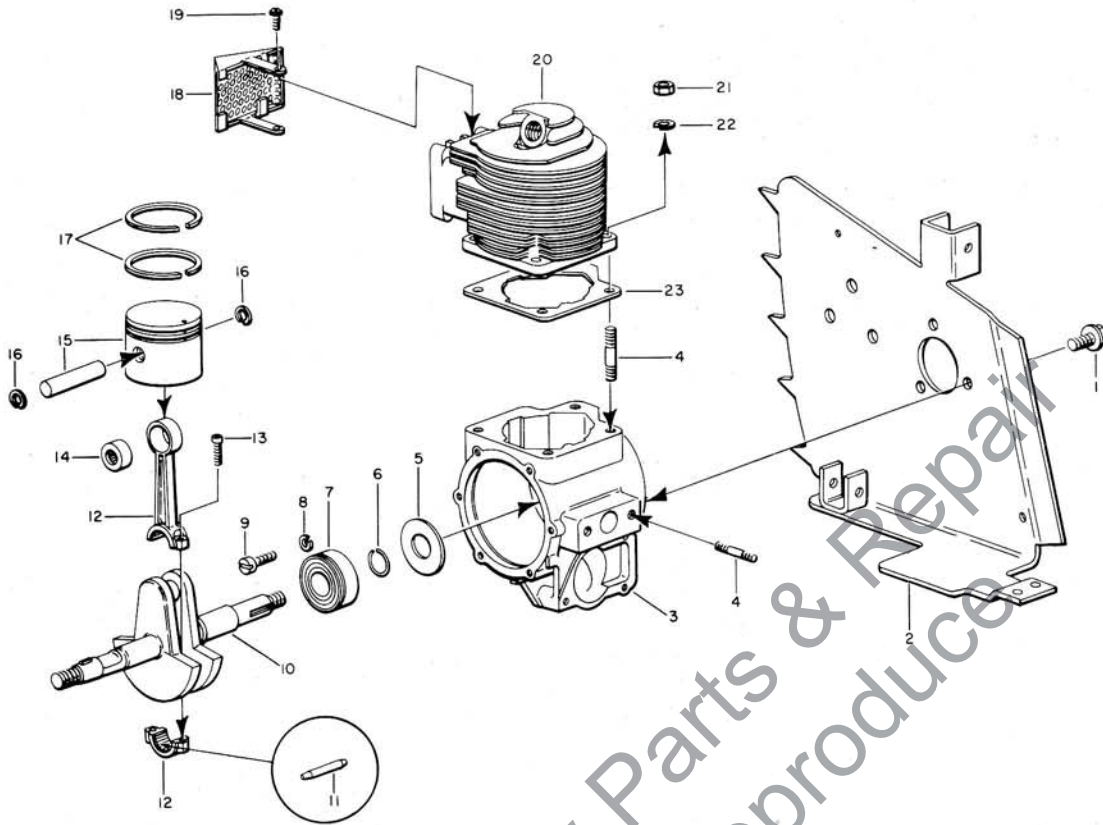
JULY 1960

Index No.	Part No.	Description	No. Required
1	80576	SCREW—pan hd., 10-32 x 1/16"	6
2	83046	WASHER—lock, No. 10	3
3	80595	SCREW—fil. hd., 10-24 x 1/2"	1
4	55984	FELT—cam wiper	1
5	55969	CORE AND BREAKER BOX	1
6	55982	NUT—terminal	1
7	55983	WASHER—terminal	1
8	55987	CONDENSER (w/terminal)	1
9	84048	WASHER—flat, No. 8	2
10	83060	WASHER—lock, No. 8	2
11	55988	SCREW—condenser fastening	1
12	56026	ROTOR—magneto	1
13	55980	CLAMP—breaker box cover	1
14	55979	COVER—breaker box	1
15	55978	GASKET—breaker box	1
16	55985	SCREW—breaker arm fastening	1
17	A-55971	SET OF POINTS (Includes item No. 4)	1
18	80660	SCREW—fil. hd., 10-24 x 7/8"	2
19	55986	COIL	1

Index No.	Part No.	Description	No. Required
20	80598	SCREW—flat hd., 6-32 x 5/16"	2
21	55595-1	CLAMP—back plate	1
22	56029	HIGH TENSION LEAD	1
23	A-55373	SPARKY	1
24	60929	GROMMET	2
25	56028	GROUND LEAD (to "ON-OFF" switch)	1
26	56027	SLEEVE—insulation	1
27	55977	SCREW—ground terminal	1
28	55989	FELT—sealing	1
29	A-56080-A	BACK PLATE with pivot post Includes	1
30	71597	SEAL—Garlock	2
31	55204	BEARING—needle	1
32	55049	GASKET—back plate	1
33	75078	KEY—rotor	1
34	40190-S	SPARK PLUG—Champion J-6-J Includes	1
35	25038	GASKET—spark plug	1

Always give model and serial number of unit when ordering parts.





JULY 1960

Index No.	Part No.	Description	No. Required	Index No.	Part No.	Description	No. Required
1	80741	SCREW—hex hd., Spin-lock, 5/16-18 x 5/8"	3	12	AA-55195	CONNECTING ROD .....	1
2	A-57304	DRIVE PLATE ASSEMBLY .....	1			Includes	
	57278	STRIP—sealing .....	1	13	80541	SCREW—Allen cap, 8-32 x 1/2" .....	2
3	A-57081-1	CRANKCASE .....	1	14	55196	BEARING—piston pin .....	1
		Includes		15	AA-55279	PISTON AND PIN ASSEMBLY .....	1
4	55871	STUD—cylinder .....	4			Includes	
5	55048-A	GASKET—crankcase sealing .....	1	16	55095	RING—piston pin retaining .....	2
6	56109	RING—snap .....	1	17	55038	RING—piston .....	2
7	56097	BEARING—main .....	1	18	A-56613-A	EXHAUST FLANGE CAP .....	1
8	83061	WASHER—lock, 1/4" .....	2	19	80625	SCREW—pan hd., 10-32 x 1/2" .....	2
9	19238-A	SCREW—bearing retaining .....	2	20	56403	CYLINDER .....	1
10	56702-A	CRANKSHAFT .....	1	21	81065-2	NUT—hex, 1/4-28 .....	4
11	AA-55280	ROLLER—set of 27 needles .....	1	22	83009	WASHER—lock, 1/4" .....	4
				23	56864	GASKET—cylinder .....	1

**\* SPECIAL TOOLS AND ACCESSORIES**

Part No.	Description	No. Required	Part No.	Description	No. Required
22220	WRENCH—socket screw (conn. rod) .....	1	23138-1	ADAPTER—bearing assembling .....	1
23234	ASSEMBLY TOOL—needle bearing .....	1	A-23137	JACKSCREW ASSEMBLY .....	1
22828	PLIERS—for Tru-arc ring (piston) .....	1	22812	PLATE—shaft aligning .....	1
23318	SPRAY CAN—blue paint .....	1	22830-A	PLUG—Garlock seal assembling .....	1
AA-22560	MAGNETO ROTOR REMOVER		22831	ASSEMBLY TOOL—needle bearing .....	1
	ASSEMBLY .....	1	A-56558	NOISE SUPPRESSOR CAP ASSEMBLY .....	1
A-23131	CLUTCH SPIDER PULLER ASSEMBLY .....	1	A-56615	SPROCKET AND DRUM ASSEMBLY .....	1
23136	BODY—assembling fixture .....	1	23488	LOCKTITE KIT .....	1

\*Supplied only when ordered



# HOMELITE

## Authorized Sales and Service Branches

Homelite sales and service factory branches are located throughout the country. Field representatives and factory-trained servicemen are always available, ready and able to keep your Homelites running in top performance at all times. See the "Yellow Pages" for the address and phone number of your nearest Homelite Branch office.

### California

Alhambra (Los Angeles area)  
Fresno  
Sacramento  
S. San Francisco

### Colorado

Denver

### Connecticut

Byram  
Hartford

### Florida

Jacksonville  
Miami

### Georgia

Atlanta

### Illinois

Bloomington  
Springfield  
Stone Park (Chicago area)

### Indiana

Indianapolis

### Louisiana

Bossier City  
Metairie

### Maine

Orono

### Maryland

Baltimore

### Massachusetts

Allston (Boston area)

### Michigan

Detroit  
Grand Rapids

### Minnesota

St. Paul

### Missouri

Kansas City  
St. Louis

### Nebraska

Omaha

### New Jersey

North Arlington  
Woodbridge

### New York

Buffalo  
Latham (Albany area)  
Rochester  
Syracuse

### North Carolina

Charlotte  
Raleigh

### Ohio

Cincinnati  
Cleveland  
Toledo

### Oklahoma

Oklahoma City

### Oregon

Portland

### Pennsylvania

Altoona  
Erie  
Harrisburg  
Hazleton  
Malvern  
Philadelphia  
Pittsburgh

### Tennessee

Knoxville  
Memphis

### Texas

Cleveland  
Dallas  
Lufkin

### Utah

North Salt Lake

### Virginia

Arlington  
Richmond  
Roanoke

### Washington

Seattle  
Spokane

### West Virginia

Charleston  
Clarksburg

### Wisconsin

Milwaukee

### CANADA

TERRY MACHINERY CO., LTD.

### Quebec

St. Laurent  
Quebec City

### Alberta

Edmonton

### British Columbia

Vancouver  
Prince George

### New Brunswick

Moncton

### Ontario

Ottawa  
Toronto  
Port Arthur





**HOMELITE**  
SELF-PRIMING PUMPS



**HOMELITE**  
DEPENDABLE GENERATORS



**HOMELITE—BOSCH (Germany)**  
ELECTRIC PAVING BREAKERS

*You'll SPEED work  
and make MORE MONEY with...*

# **HOMELITE** *Carryable* **PRODUCTS**

**all powered by famous HOMELITE engines**

Homelite's two-cycle gasoline engines are the most efficient and dependable units of their kind ever built. Their two-cycle design, developed to perfection by Homelite engineers over the past 35 years, gives maximum power for the least weight because power is produced at every piston down stroke. As an added advantage, this design requires fewer moving parts which means greater dependability and lower maintenance.



**HOMELITE**  
ONE-MAN CONCRETE VIBRATORS



**HOMELITE—BOSCH (Germany)**  
ELECTRIC BUILDER'S HAMMERS

## **HOMELITE**

a division of Textron Inc.  
PORT CHESTER, N. Y.