

Part Number 24897

Printed in U.S.A.

First Edition

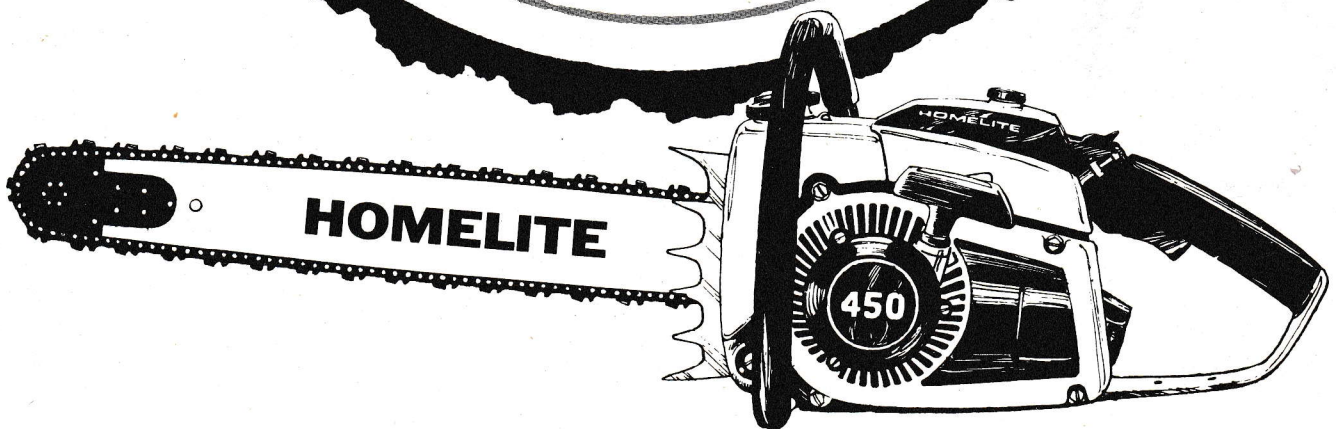
Price .35

ILLUSTRATED PARTS LIST



**450
CHAIN
SAW**

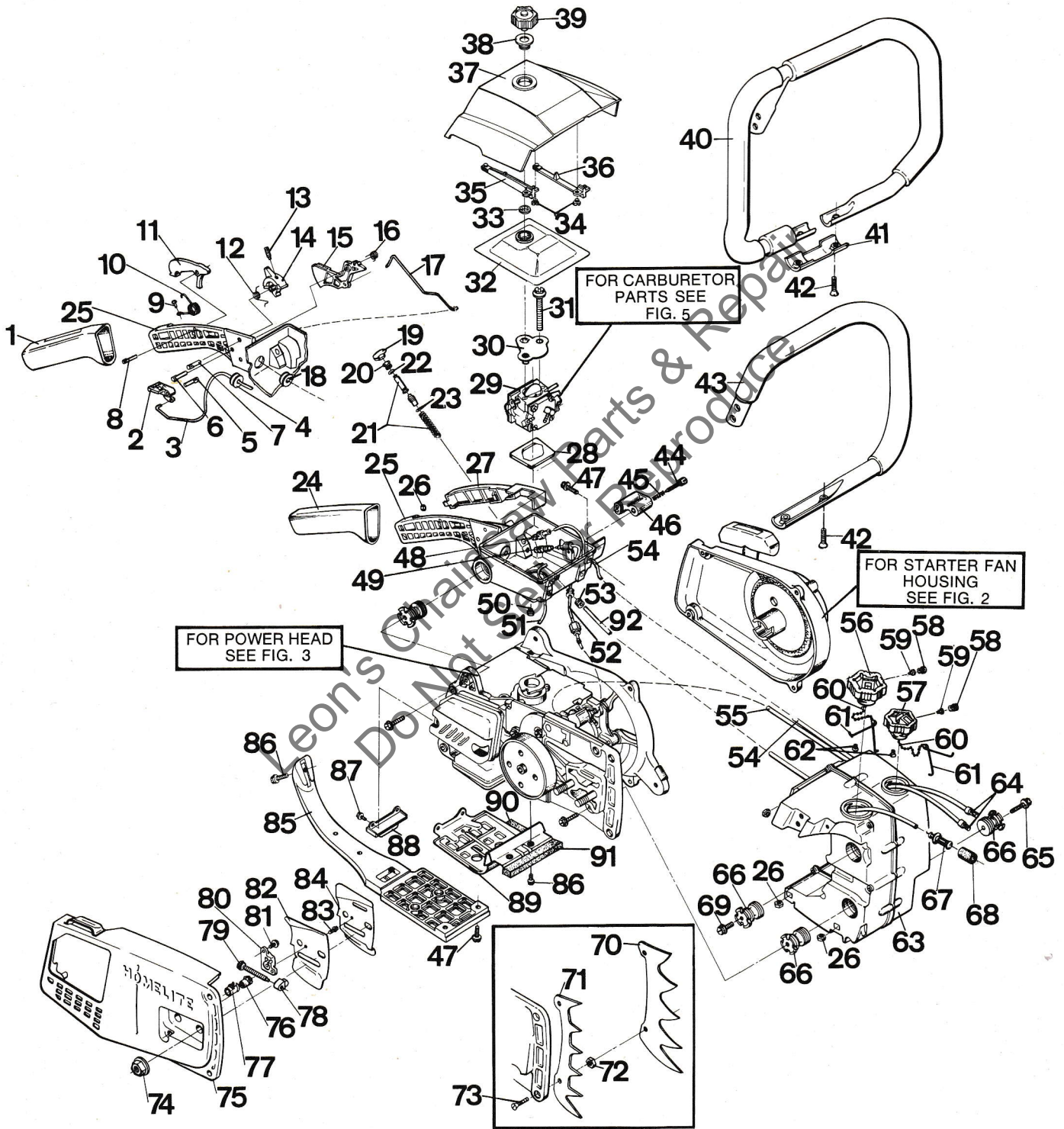
MODELS: 450, 450 W,
450 HG, 450 SL



HOMELITE **TEXTRON**

Homelite Division of Textron Inc.

450 CHAIN SAW FIGURE 1

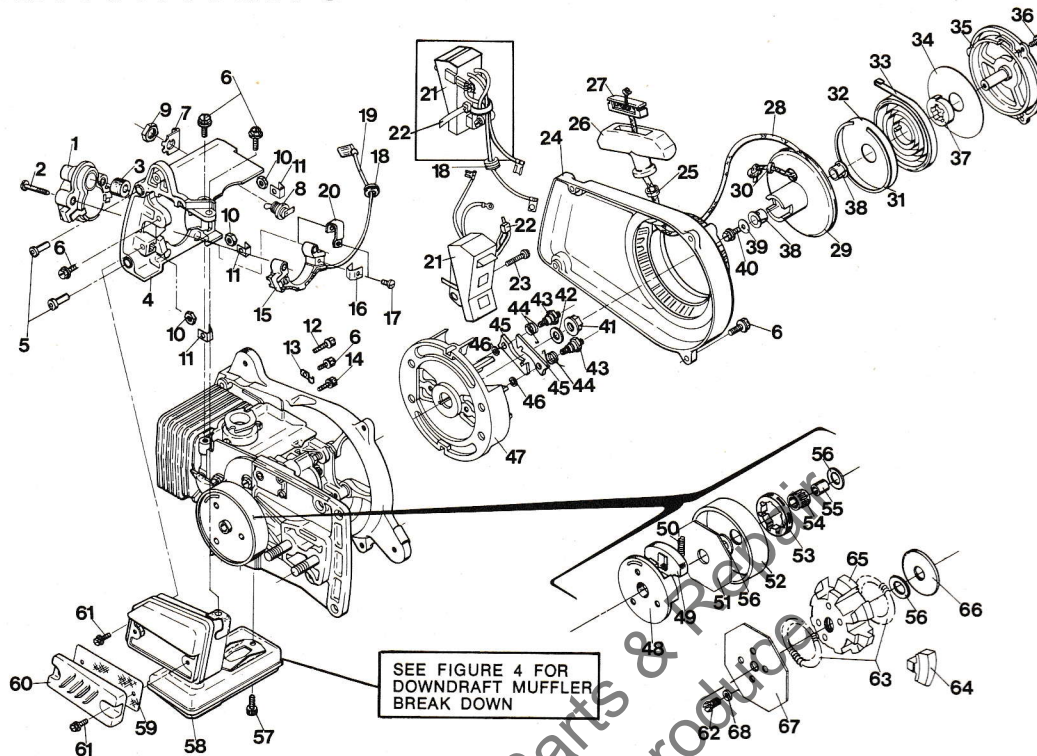


450 CHAIN SAW FIGURE 1

No.	Description	Part No.	Qty.	No.	Description	Part No.	Qty.
1	GRIP (HG & SL only)	70019-1A	1	50	BUMPER	12096	2
2	LEVER—Choke	12620	1	51	LINE—Pulse	70309-19	1
3	ROD—Choke	12349	1	52	LINE—Oil (nylon)	A-70267	1
4	BOOT—Choke rod	58348	1	53	GROMMET—Fuel Line	68046	1
5	PIN—Groove, choke	12423	1	54	LINE—Flexible (manual oiler pick-up)	70309-45	1
6	PIN—Trigger	68548	1	55	LINE—Flexible (auto oiler pick-up)	70309-37	1
7	PIN—Groove, throttle latch	12461	1	56	CAP—Fuel filler (w/69501 gasket)	A-69500	1
8	PIN—Groove (SL & HG only)	12462	1	57	CAP—Oil filler (w/12126 gasket)	A-12222	1
9	SCREW—Drive (SL & HG only)	80001	1		Items 56 and 57 each include:		
10	SPRING—(SL & HG only)	12457	1	58	FILTER—Porous metal	69454	1
11	LOCKOUT—(SL & HG only)	12330	1	59	VALVE—Check (duck bill)	69451	1
12	SPRING—Torsion throttle latch	12454	1	60	CHAIN—Bead	69502	1
13	SCREW—Set (starting speed adj.)	12440	1	61	RETAINER	69503	1
14	LATCH—Throttle	12464-1	1	62	SCREW—Pan hd, Plastite # 6 x 1/4 (N.S.)	82256	1
15	TRIGGER—Throttle	12352	1	63	TANK—Fuel & chain oil	A-12395-3	1
16	SPRING—Throttle trigger	12441	1	64	FILTER—Oil	A-64293	2
17	ROD—Throttle	12350	1	65	SCREW—Hex Sems, 10-24 x 3/4	88022	4
18	BOOT—Throttle rod	67634	1	66	ISOLATOR—Vibration	A-70421	5
19	BUTTON—Manual oiler	65084	1	67	FILTER—Fuel	A-59252	1
20	NUT—Plunger	65082	1		Includes:		
21	PLUNGER—Manual oil pump	A-68061-A	1	68	FILTER—Felt	59253-1	1
	Includes:			69	SCREW—Hex Sems, 10-24 x 1/2	88024	1
22	"O" RING	59074	1	70	PLATE—Spiked bumper (450w only)	A-12481	1
23	"O" RING	58406	1	71	PLATE—Spiked bumper (450, 450 HG, 450 SL)	A-12480	1
24	GRIP—Throttle handle (450, 450w only)	70019-A	1		Includes:		
25	HANDLE—Throttle	A-70287-1	1	72	NUT—Hex lock 1/4-20	81204	2
26	NUT—Hex, 10-24 Gripco	81208	9	73	SCREW—Flat hd, 1/4-20 x 5/8	80173	2
27	COVER—Throttle handle	12351	1	74	NUT—Hex Flange 3/8-16	12860	2
28	SPACER—Carburetor	12340	1	75	COVER—Drivecase (450, 450w 450 HG only)	A-70707	1
29	CARBURETOR—(SDC—54A)	A-70792	1		Note: (See figure 2 for 450SL D' case cover)		
30	PLATE & SPACER	A-70025	1		Includes:		
31	SCREW—Hex Sems 10-24 x 2-21/64	70027	2	76	ADJUSTER—Guide bar	A-70694	1
32	FILTER ELEMENT—Air	A-12358	1	77	BUSHING	70693	1
33	NUT—Push-on, spring	12140	1	78	PIN—Guide bar adjuster	67586-1A	1
34	SCREW—Pan, 8-32 x 1/4	80575	2	79	SCREW—Adjuster	A-12746	1
35	INSERT—Air Filter cover (solid)	12433	1	80	COVER—Gear	12134	1
36	INSERT—Air inlet (notched)	12990	1	81	SCREW—Pan, 6-32 x 3/8	80571	2
37	COVER—Air filter	A-70057	1	82	PLATE—Guide bar (outer)	70400	1
	Includes:			83	SCREW—Truss hd, 6-32 x 3/8	80548	1
38	BUSHING	12110	1	84	PLATE—Guide bar (inner)	70399	1
39	NUT—Air filter cover	A-12112	1	85	BRACE—Throttle handle	12346-2	1
40	HANDLEBAR—Full wrap around (450w)	A-12424-A	1	86	SCREW—Hex Sems, 10-24 x 7/8	88032	1
41	CONNECTOR—Handlebar (wrap around)	12905	1	87	SCREW—Hex Sems, 8-32 x 3/8	88026	4
42	SCREW—Oval hd, 10-24 x 3/4	82282	4	88	SNUBBER—Rear	A-12803-A	2
43	HANDLEBAR—Flush cut (450, 450 HG & SL)	A-12342-A	1	89	SHIELD—Muffler	A-70255	1
44	SCREW—Idle speed adjustment	12783	1		Includes:		
45	SPRING—Idle speed screw	12784	1	90	SEAL	70377	1
46	GROMMET—Carburetor adjustment	12410	1	91	CUSHION	70378	1
47	SCREW—Hex Sems, 10-24 x 5/8	88020	6	92	LINE—Flexible (fuel pick-up)	70310-42	1
48	VALVE—Inlet check	A-12987	1				
49	Valve—Outlet check	A-65077	1				

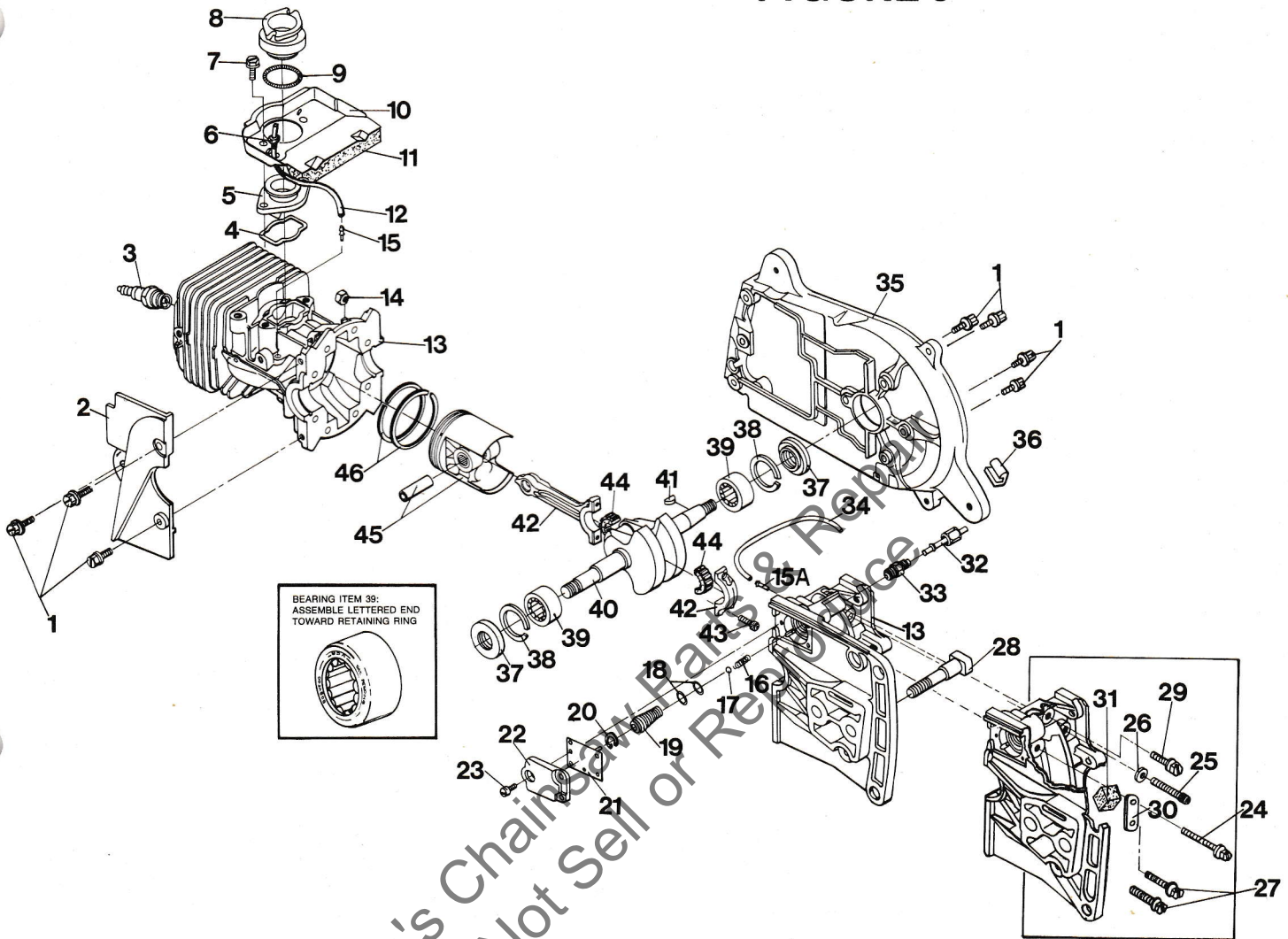
450 CHAIN SAW STARTER, CLUTCH AND IGNITION PARTS

FIGURE 2



No.	Description	Part No.	Qty.	No.	Description	Part No.	Qty.
1	TRANSFORMER	A-12299-A	1	35	COVER—Starter	A-70726-1	1
	Includes:				DECAL—(not shown)	70417	1
2	SCREW—Hex washer hd, slotted	70068	2	36	SCREW—Pan bd, 8-32 x 1/2	82254	3
3	GROMMET	12191	1	37	LOCK—Rewind spring	12455	1
4	SHIELD—Cylinder	A-12406-1	1	38	BUSHING—Starter post	12639	2
	Includes:			39	WASHER—Pulley retaining	12789	1
5	BUSHING—Nylon	12993	2	40	SCREW—Pan head 10-24 1/2	82216	1
6	SCREW—Hex Sems, 10-24 x 5/8	88020	9	41	NUT—Rotor, 3/8-24 boots	81233	1
7	PLATE—Indicating ("RUN STOP")	12793-A	1	42	WASHER—Flat, 3/8 I.D.	84099	1
8	SWITCH—Ignition grounding	A-12449	1	43	STUD—Starter pawl	63877-B	2
	Includes:			44	SPRING—Starter pawl	65375	2
9	NUT—Hex	72084-A1	1	45	PAWL—Starter	64442-A	2
10	NUT—Hex—10-24 Gripco	81208	3	46	WASHER—Lock starter pawl	83056	2
11	RETAINER—Nut	12689	3	47	ROTOR	70924	1
12	SCREW—Hex Sems, 10-24 x 7/8	88032	1	48	PLATE—Clutch (3-shoe standard)	65760-1	1
13	CLIP—Wire	12896	1	49	SHOE—Clutch (3-shoe standard)	69461	3
14	SCREW—Hex Sems, 10-24 x 3/4	88022	1	50	SPRING—Clutch	65842	3
15	RECEPTACLE—Transformer	A-70088	1	51	COVER—Clutch	63051	1
	Includes: (see index # 2)			52	HUB & DRUM	A-65990	1
	SCREW—Hex washer hd, slotted	70068	2	53	RIM—7-spline 7-tooth, 3/8 pitch	63284-S	1
16	CONTACT—Transformer	12788	2	54	BEARING—Needle (unit cage)	64124	1
17	SCREW—Pan hd, Plastite, # 6 x 3/8	82215	2	55	RACE—Inner	64129	1
18	GROMMET	68279	1	56	WASHER—Thrust, 1-13/16 O.D.	63462	2
19	LEAD—Module	A-12719	1		(for rim sprocket only)		
20	CONTACT—Ground	70720	1		WASHER—Thrust inner	63463	1
21	MODULE AND CORE, (w/switch & core grounds)	70709	1	57	SCREW—Socket hd cap 1/4-20 x 5/8	82302	2
22	TIE—Cable	12298	1	58	MUFFLER	A-12411-1C	1
23	SCREW—Hex washer hd, 8-32 x 1 1/4	82194	2	59	ARRESTOR—Spark (screen)	12403	1
24	HOUSING—Starter	A-12960	1		(450w only)		
	Includes:			60	COVER—Muffler exhaust (standard)	12399-1	1
25	BUSHING—Starter rope	67177	1	61	SCREW—Hex Sems, 8-32 x 3/8	88026	2
26	GRIP—Starter rope	A-69962-A	1		ACCESSORIES		
	Includes:			62	SCREW—Mach Hex hd 10-32 x .5	80361-2	2
27	INSERT—Rope retainer	70018-A	1	63	SPRING—Clutch	67441	2
28	ROPE—Starting (48" long)	58806	1	64	SHOE—Clutch	69754-1B	6
29	PULLEY—Starter	A-70199	1	65	SPIDER—Clutch	65723-2A	1
	Includes:			66	WASHER—Thrust	12907	1
30	WASHER—Steel (rope retaining)	70363	1	67	COVER—Clutch	A-24921	1
31	RING—Retaining	63875	1		Includes		
32	SHIELD—Spring (outer)	12320	1	68	WASHER—Belleville	12940	2
33	SPRING—Rewind	12324	1				
34	SHIELD—Spring (inner)	12321-A	1				

450 CHAIN SAW ENGINE AND A.O. PUMP FIGURE 3



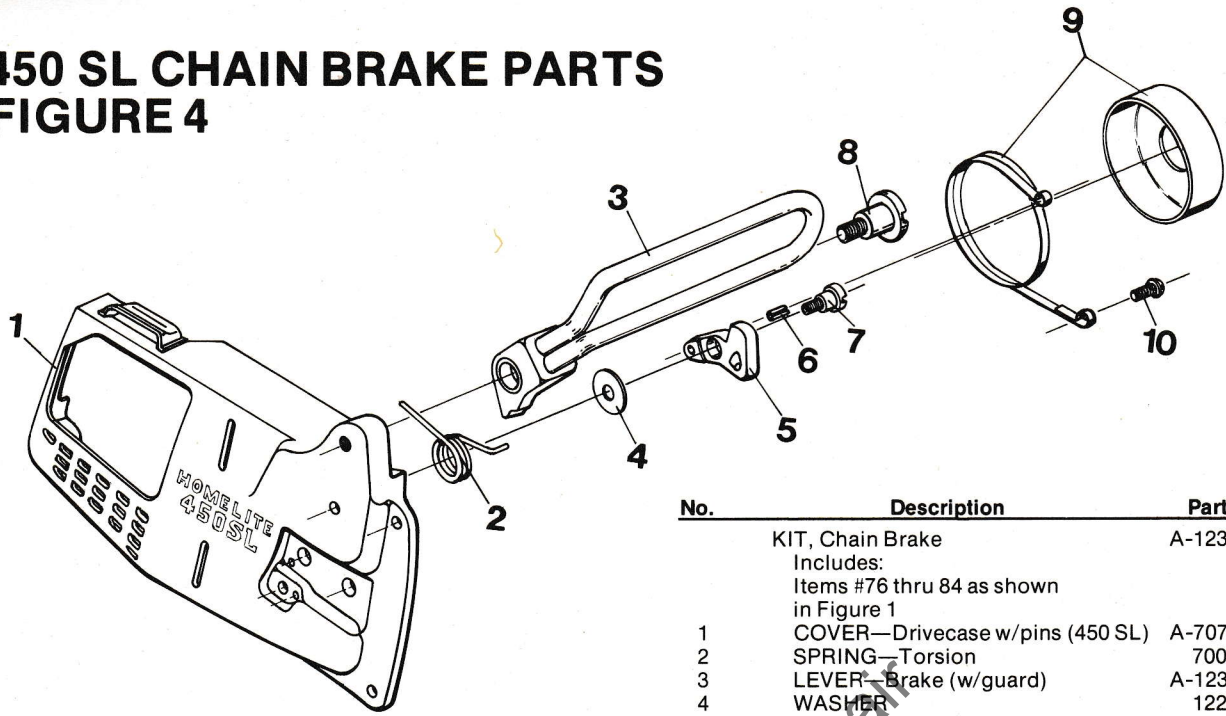
No.	Description	Part No.	Qty.
1	SCREW—Hex Sems, 10-24 x 5/8	88020	7
2	SHIELD—Sawdust	12338-2	1
3	SPARK PLUG—(DJ-6J)	65130-S	1
4	GASKET—Intake duct	12314	1
5	DUCT—Intake	12313	1
6	GROMMET—Pulse Line	62740	1
7	SCREW—Hex Sems, 10-24 x 1/2	88024	2
8	CONNECTOR—Carburetor	12348-A	1
9	SPRING—Garter	12405	1
10	DEFLECTOR—Air	A-70379	1
	Includes:		
	SEAL (bond to deflector)	70377	1
12	LINE—Pulse	70309-19	1
13	CRANKCASE & CYLINDER	A-70055-B	1
	Includes:		
14	NUT—Hex, 10-24 Gripco	81208	8
15	FITTING—Tube (for pulse line)	69833	1
15A	FITTING—Tube (for A/O pick-up line)	69833	1
16	SPRING—Check valve	68570	1
17	BALL—Check valve	60051	1
18	“O” RING	74388	2
19	BODY—Automatic oil pump	70847	1
20	RING—Retaining	12996	1
21	PLUNGER—Oil pump	A-12356-A	1
22	COVER—Oil pump	A-70374	1
23	SCREW—Pan hd, 6-32 x 3/8	80571	3

No.	Description	Part No.	Qty.
24	SCREW—Hex Sems, 10-24 x 2	88028	1
25	SCREW—Soc hd cap, 10-24 x 1 1/4	80738	4
26	WASHER—Conical	12021	4
27	SCREW—Hex Sems, 10-24 x 7/8	88032	2
28	BOLT—Guide bar	12397	2
29	SCREW—Hex Sems, 10-24 x 1 1/4	88023	1
30	CLAMP	70615	1
31	FILTER (to cover pump vent hole)	70964	1
32	LINE—Oil (Nylon)	A-70267	1
33	FITTING—Straight	68393	1
34	LINE—Flexible (Auto. oiler pick-up)	70309-37	1
35	PLATE—Back	A-12938-C	1
	Includes:		
36	SNUBBER	12928	1
37	SEAL—Main	12306	2
38	RING—Retaining	12310	2
39	BEARING—Roller (main)	63195	2
40	CRANKSHAFT	70299-1	1
41	KEY—Woodruff	75078	1
42	ROD—Connecting	A-70300-1A	1
	Includes:		
43	SCREW—Soc. hd cap, 8-32 x 9/16	69919	2
44	ROLLER—Needle (set of 12)	A-70793	1
45	PISTON & PIN	A-70056-A	1
	Includes:		
46	PISTON RING	12309	2

*Install with point toward cylinder

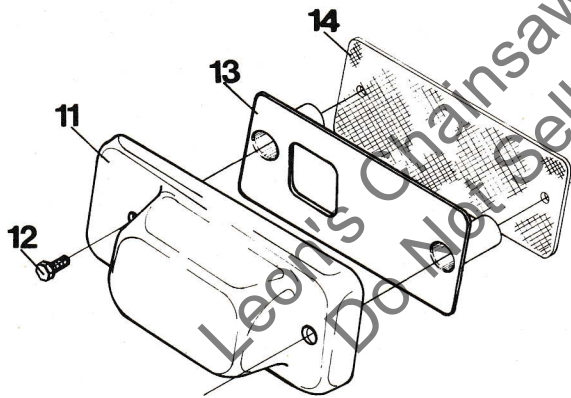
ALWAYS GIVE FULL MODEL AND SERIAL NUMBER WHEN ORDERING PARTS

450 SL CHAIN BRAKE PARTS FIGURE 4



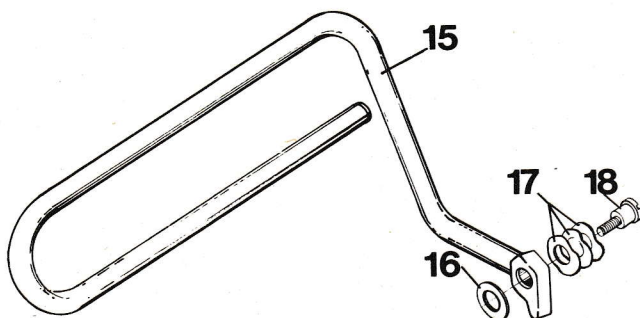
No.	Description	Part No.	Qty.
	KIT, Chain Brake	A-12375-A	
	Includes:		
	Items #76 thru 84 as shown in Figure 1		
1	COVER—Drivecase w/pins (450 SL)	A-70708	1
2	SPRING—Torsion	70093-A	1
3	LEVER—Brake (w/guard)	A-12369-1	1
4	WASHER	12290	1
5	LEVER—Brake band	12372-2	1
6	PIN—Spring	67911	1
7	SCREW—Shoulder	12371-1	1
8	SCREW—Shoulder brake lever	12955	1
9	SPROCKET and DRUM	A-70371	1
10	SCREW—Pan head (1/4-20 x 5/8)	82258	1

MUFFLER DOWN DRAFT FLAME ARREST.



No.	Description	Part No.	Qty.
	These Downdraft muffler parts are for both SL and HG Models:		
11	COVER—Downdraft muffler	A-70038	1
	Includes:		
12	SCREW—Hex Sems (#8-32 x 5/8)	88029	2
13	PLATE—Baffle	12460	1
14	ARRESTOR—Spark (accessory)	12403	1

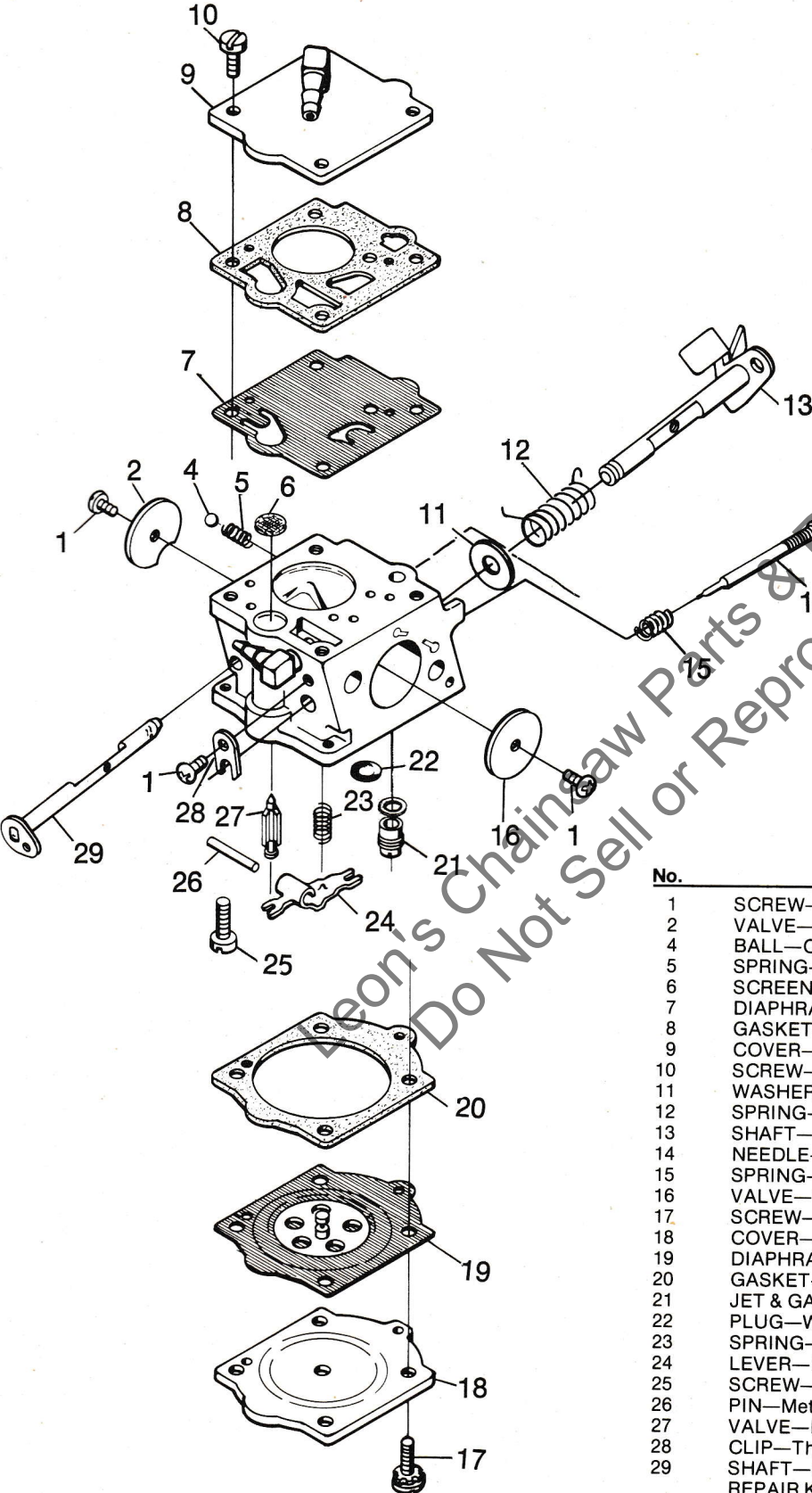
450 HG HAND GUARD PARTS



No.	Description	Part No.	Qty.
15	HAND GUARD	A-12243-1	1
16	WASHER—Flat	84020	1
17	WASHER—Cupped spring	12150	3
18	SCREW—Shoulder	12908	1

450 CHAIN SAW CARBURETOR FIGURE 5

A-70792 (SDC 54-A)



No.	Description	Part No.	Qty.
1	SCREW—Valve 6-32 x 3/16	64693	3
2	VALVE—Choke	12921	1
4	BALL—Choke friction	60051	1
5	SPRING—Choke friction	64238	1
6	SCREEN—Fuel inlet	64243	1
7	DIAPHRAGM—Pump	64233	1
8	GASKET—Pump	67008	1
9	COVER—Fuel pump	70040	1
10	SCREW—Pump cover	64694	4
11	WASHER—Nylon	70734	1
12	SPRING—Throttle return	67006	1
13	SHAFT—Assembly throttle	70823	1
14	NEEDLE—Idle, high speed	12923-A	1
15	SPRING—Needle adjustment	64236	1
16	VALVE—Throttle	12919	1
17	SCREW—Assembly metering cover	64689	4
18	COVER—Metering diaphragm	64224	1
19	DIAPHRAGM ASSEMBLY—Metering	64235	1
20	GASKET—Metering diaphragm	64231	1
21	JET & GASKET KIT (.028)	12924	1
22	PLUG—Welch, idle 7/8	30818	1
23	SPRING—Metering lever	12879	1
24	LEVER—Metering	64245	1
25	SCREW—Metering lever pin	64688	1
26	PIN—Metering lever	64244	1
27	VALVE—Insert needle	64229	1
28	CLIP—Throttle shaft	74981	1
29	SHAFT—Assembly choke	12920	1
	REPAIR KIT	12925	1
	GASKET SET	67019	1
	KIT—High altitude	70035	1

