



# MODEL - 35SL

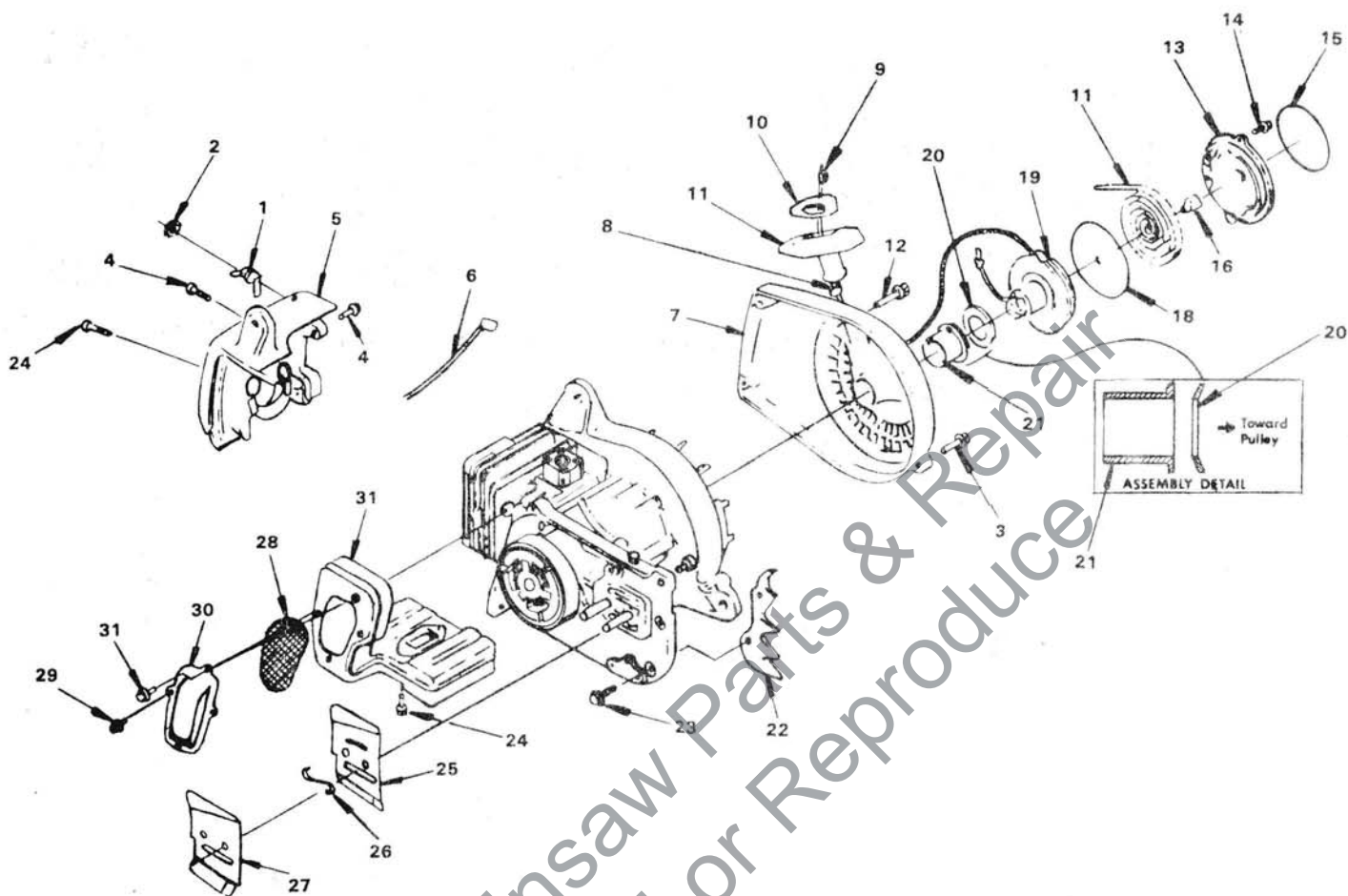


FIGURE 1

No.	Description	Part No.	Qty.
1	SWITCH- Grounding Includes:	A-57350-3A	1
	NUT	72084-A1	1
3	SCREW- Hex. 10-24 x 1-1/8	82218	2
4	SCREW- Hex. 10-24 x 3/4	88051	2
5	SHIELD- Cylinder	A-79305-2	1
6	LEAD- Ground	A-94668-T	1
7	HOUSING- Rewind starter Includes:	A-12114-A	1
8	BUSHING- Rope	65185	1
9	ROPE- Starter (38")	94564-T	1
10	INSERT- Rope retaining	70018-A	1
11	GRIP- Starting rope	94911	1
12	SCREW- Hex. 10-24 x 1-1/4	79300	1
13	COVER- Starter Includes: item 17	A-96617	1
14	SCREW- Hex. 8-32 x 1/2	88042	2
15	DECAL- Starter cover	79293	1

No.	Description	Part No.	Qty.
16	LOCK- Spring	65102	1
17	SPRING- Rewind	96616	1
18	SHIELD- Spring	12052	1
19	PULLEY & CUP	A-12214-A	1
20	WASHER- Spring	70842	1
21	BUSHING- Starter Cup	12053	1
22	BUMPER- Spiked Includes:	A-12272-D	1
	SCREW- Hex. 10-24 x 3/8	88048	2
24	SCREW- Hex. 10-24 x 1-1/4	88054	3
25	PLATE- Guide bar (inner)	70397	1
26	SPRING- Guide bar	69966	1
27	PLATE- Guide bar (outer)	70398	1
28	SPARK Arrestor	94797	1
29	SCREW-	82370	3
30	PLATE- Exhaust	94795-1	1
31	SCREW- Hex. 10-24 x 1-7/8	93460	1
32	MUFFLER	A-94785-1	1

ALWAYS FURNISH MODEL AND SERIAL NUMBER WHEN ORDERING PARTS.

# MODEL - 35SL

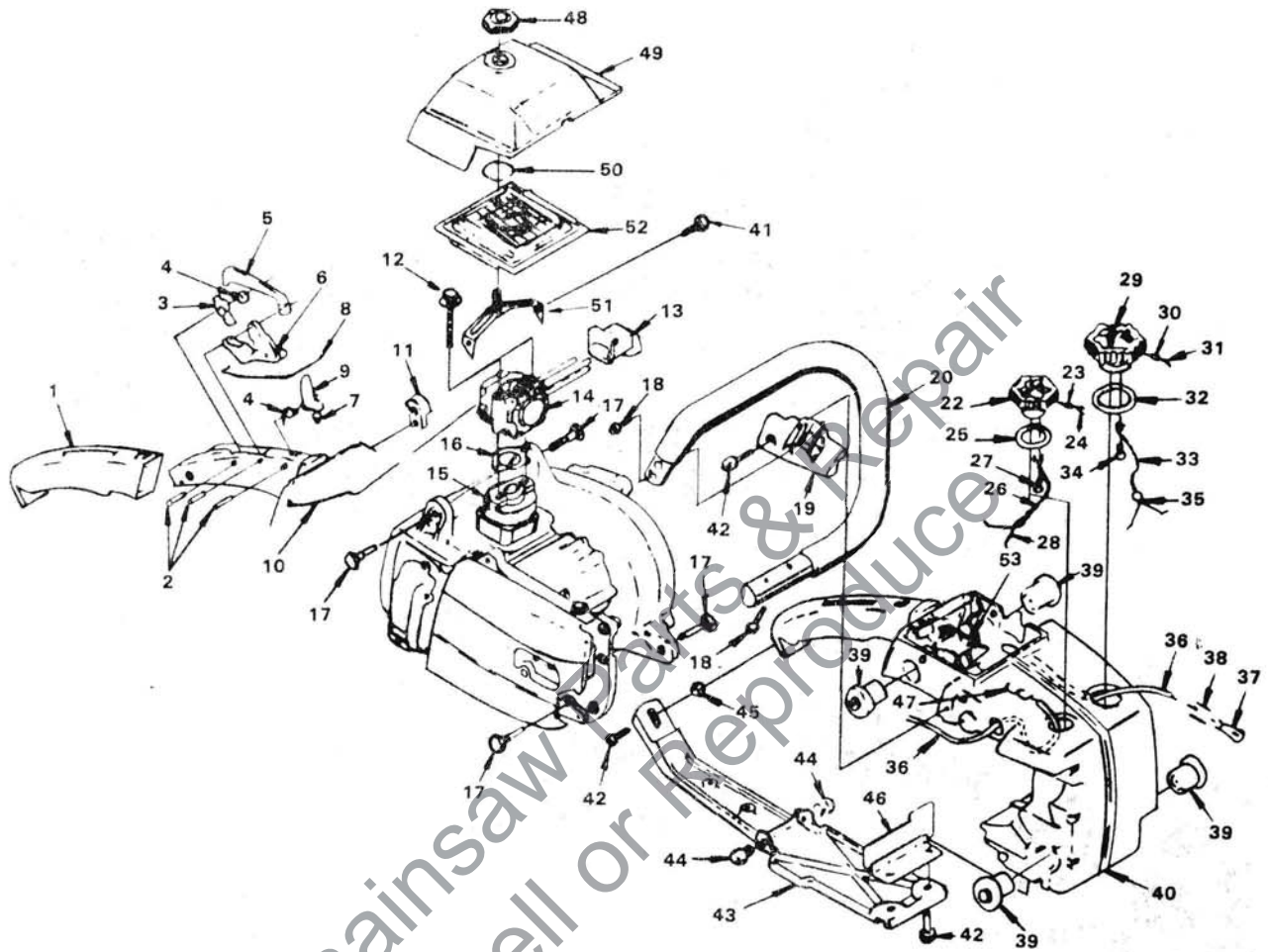


FIGURE 2

No.	Description	Part No.	Qty.	No.	Description	Part No.	Qty.
1	GRIP- Handle	12049	1	28	RETAINER	96535	1
2	PIN- Dowel	70253	3	29	CAP- Fuel filter	A-69500-A	1
3	LEVER- Trigger lock	12092	1		Includes:		
4	SPRING- Torsion	12051	2	30	VALVE	69451	1
5	LOCK- Trigger	12093	1	31	FILTER	69454	1
6	TRIGGER	12090-A	1	32	GASKET- Fuel cap	69501	1
7	SCREW- Latch	12094-1A	1	33	CHAIN- Bead	69502	1
8	ROD- Throttle	12078-1A	1	34	SCREW- Pan hd 6-32 x 1/4	82256	1
9	LATCH- Trigger	A-12219-A	1	35	RETAINER	96535	1
	Includes: item 7			36	TUBING- (10-1/2")	93112-42	2
10	ROD- Choke	94977	1	37	PICK-UP Filter	A-69923	1
11	KNOB- Choke	94765-1	2		Includes:		
12	SCREW- Hex.	83060-1	2	38	FILTER- Felt	64083	1
13	GROMMET- "Hi-low"	79369	1	39	ISOLATOR- Vibration	12285	4
14	CARBURETOR HDC-77	A-79365	1	40	HOUSING- Engine	A-79357	1
15	ADAPTOR, Carb.	79362	1	41	SCREW	95922	1
16	GASKET	70743-A	1	42	SCREW- Hex. 10-24 x 3/4	88051	5
17	PIN- Isolator	12100-B	4	43	BRACE- Handle	12042-2	1
18	SCREW- Soc. Hd. 10-24 x 7/8	82262	4	44	BUMPER	12096	2
19	BRACKET- Handle bar	12059-2A	1	45	NUT- Square 10-24	70810	1
20	HANDLE BAR FLUSH-CUT SEE NOTE	A-12107-A	1	46	DEFLECTOR- Air	A-12153	1
22	CAP- OIL Filler	A-12222	1	47	OIL Finder	A-59009-A	1
	Includes:			48	NUT- Cover mtg.	A-67639	1
23	VALVE	69451	1	49	COVER- Filter	70425-6	1
24	FILTER	69454	1	50	RING- Retaining	58319-A	1
25	GASKET- Oil cap	12126	1	51	BRACKET- Mtg.	A-79363	1
26	CHAIN- Bead	69502	1	52	AIR FILTER	78209	1
27	SCREW- Pan hd. 6-32 x 1/4	82256	1	53	DUST SHIELD	79359	1

Note: WRAP- around handle-bar (optional) A-78077-2

ALWAYS FURNISH MODEL AND SERIAL NUMBER WHEN ORDERING PARTS.

# MODEL - 35SL

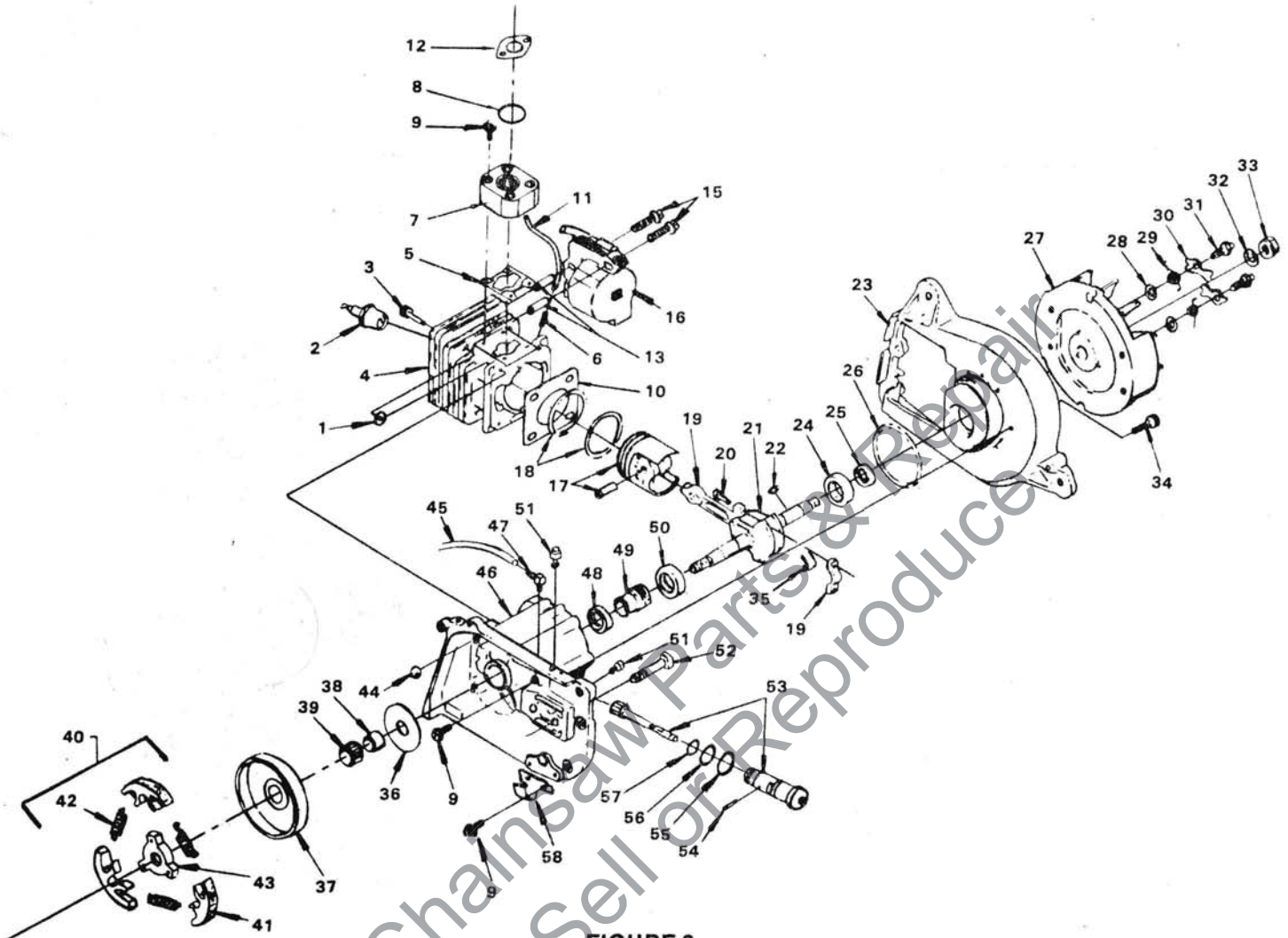


FIGURE 3

No.	Description	Part No.	Qty.	No.	Description	Part No.	Qty.
1	WASHER	12021	4	31	STUD- Starter	65109	2
2	SPARK PLUG (RC-J6)	78270-S	1	32	WASHER	95479-A	1
3	SCREW- Soc. Hd. 10-24 x 7/8	82262	4	33	NUT 3/8-24	81255	1
4	CYLINDER	A-79417	1	34	SCREW- Hex. 10-24 x 3/4	88051	5
	Includes:			35	ROLLERS (set of 25)	A-12913	1
5	GASKET-Adapter	70714	1	36	WASHER- Thrust	63860	1
6	FITTING	69833	1	37	SPROCKET & Drum	A-78908	1
7	ADAPTER	79361-1	1		Includes:		
8	"D" RING	79370	1	38	RACE- Inner	65985-B	1
9	SCREW- Hex. 8-32 x 1/2	88042	7	39	BEARING- Needle	64124	1
10	GASKET	78284	1	40	CLUTCH-Ass'y	A-79231	1
11	LINE- Pulse (5-1/2")	93112-22	1		Includes:		
12	GASKET	70743-A	1	41	SHOE- Clutch	79233	3
13	SPACER, Mod.	79331	2	42	SPRING- Clutch	93638-A	3
15	SCREW- Hex. 8-32 x 1.25	88045	2	43	SPIDER	79232	1
16	MODULE & Core	A-94361-A	1	44	NUT- 10-24	81208	4
17	PISTON & PIN	A-12257-A	1	45	TUBING- Oil (10-1/2")	93112-42	1
	Includes:			46	CRANKCASE	A-79311	1
18	PISTON RING	12040	2		Includes:		
19	ROD- Connecting	A-12068-1	1	47	FITTING- Oil	94327	1
	Includes:			48	SEAL	70729	1
20	SCREW- Soc. Hd 8-32 x 9/16	69919	2	49	WORM Gear	12071	1
21	CRANKSHAFT	12037-1	1	50	BEARING-	63867	1
22	KEY- Woodruff	75078	1	51	BUMPER	12096	2
23	BACKPLATE	A-12204-A	1	52	BOLT- Guide bar	58753	2
	Includes:			53	PUMP- Oil	A-70962	1
24	BEARING	63867	1		Includes:		
25	SEAL	12282-A	1	54	PIN	70920	1
26	"O" RING	58785	1	55	"O" RING	70921	1
27	ROTOR	12101-A	1	56	"O" RING	12853	1
28	WASHER- Lock	83046	2	57	"O" RING	12095	1
29	SPRING- Starter Pawl	12055	2	58	STOP-Chain (optional)	70705	1
30	PAWL- Starter	12056	2				

# MODEL - 35SL

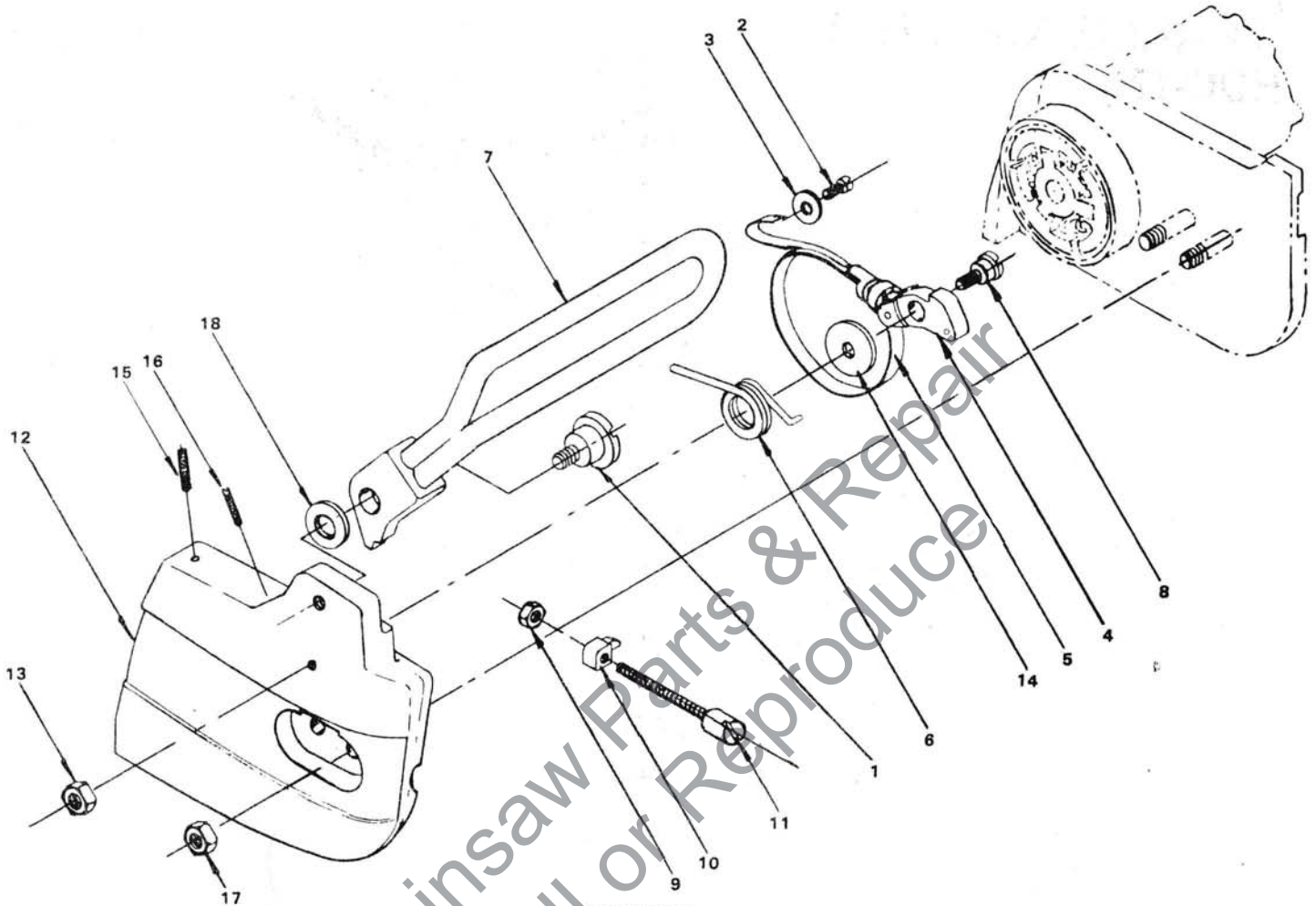


FIGURE 4

No.	Description	Part No.	Qty.
	CHAIN-Brake ASS'Y	A-12963-D	1
	Includes:		
1	SCREW-Shoulder	12955	1
2	SCREW-Pan HD.	82251	1
3	WASHER	84025	1
4	BRAKE-Band & Lever	A-79346	1
	Includes Item 5		
5	BRAKE-Band	A-79342	1
6	SPRING-Torsion	79366	1
7	LEVER & Guard	A-12952	1
8	SCREW, Cam	78200-A	1
9	NUT, Lock	81206	1
10	PIN, Adj.	12133-1	1
11	SCREW, Adj.	93962	1
12	COVER, D'Case	A-12954-2C	1
13	NUT	81108	1
14	WASHER	12290	1
15	SET-Screw	79347	1
16	SET-Screw	79348	1
17	NUT	81196	2
18	WASHER	84010	1

**ACCESSORIES:**

ADHESIVE-Zip grip	70627
BUMPER, Spiked	A-12272-D
RUBBER-Tubing 10'	93112-99
ROPE-Starter	#4
SPRAY-Can, Black	22772
SPRAY-Can, Red	23475

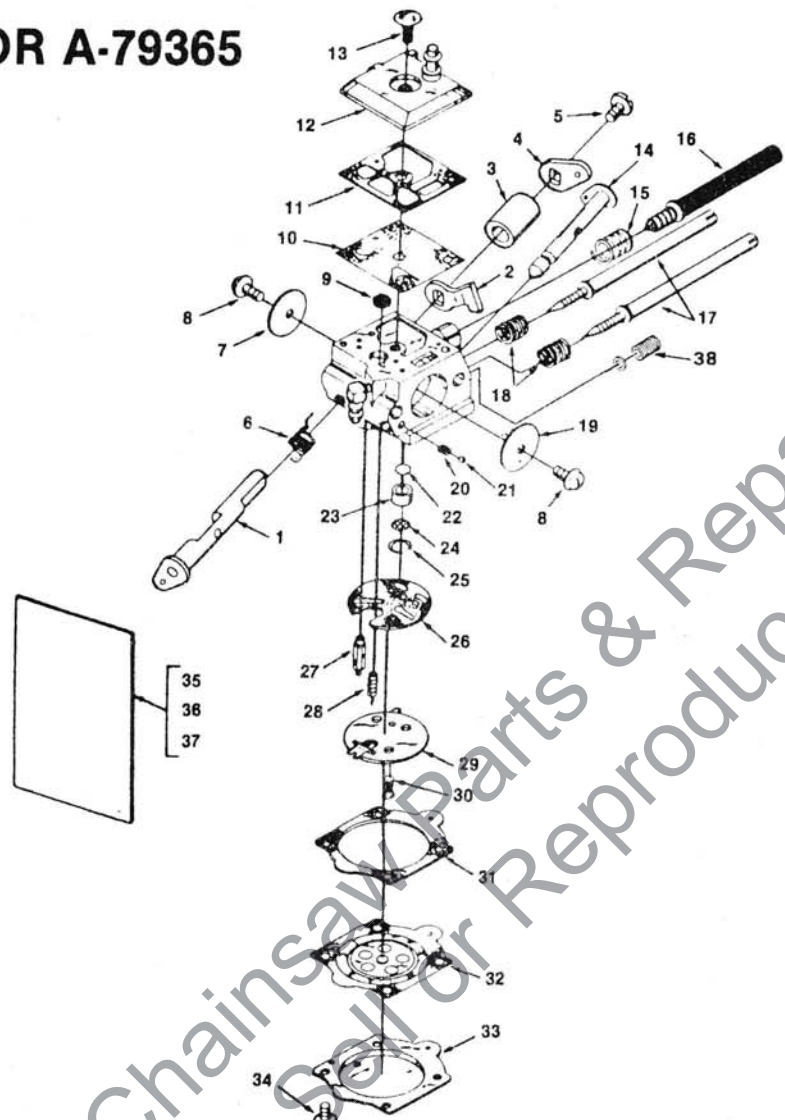
## TOOLS:

**TOOLS**

ANVIL- Bearing removal (crankcase)	23846-1
ANVIL- Bearing removal (crankcase & backplate)	23846-2
KEY- Hex. 5/32 (Cyl & Handlebar)	22126
KEY-Hex. 9/64"	23528
PLUG- Bearing & seal installation & removal	24827-A
PLUG- Seal installation	24826-A
PULLER- Rotor	A-24290
Includes:	
SCREW- Rotor Removal	24301
RING- Retaining	67912
SHIM- Yellow Plastic (.020) (Air Gap)	24853
SLEEVE- Seal assembly (crankcase & backplate)	23759
SLEEVE- Seal removal (crankcase)	23136-6
TOOL & PLUNGER- Piston Pin	A-24871
WRENCH- Socket	68651
SCREW DRIVER	24541
TOOL- (3-shoe clutch)	A-17146

ALWAYS FURNISH MODEL AND SERIAL NUMBER WHEN ORDERING PARTS.

# CARBURETOR A-79365 HDC-77



No.	Description	Part No.	Qty.
	KIT- Throttle shaft	A-12961	1
	Includes:		
1	SHAFT- Throttle	12945	1
2	STOP- Throttle	12943	1
3	SPACER- Throttle	12944	1
4	LEVER- Throttle	12942	1
5	SCREW- Valve	95599	1
6	SPRING- Throttle return	+ 67376	1
7	VALVE- Throttle	12289	1
8	SCREW- Valve	+ 95599	2
9	SCREEN- Fuel inlet	+ 64243	1
10	DIAPHRAGM- Fuel pump	+ 67370	1
11	GASKET- Fuel pump	*67368	1
12	COVER- Fuel pump	94514	1
13	SCREW- Pump cover	67374	1
14	SHAFT- Choke	96321	1
15	SPRING- Idle adjustment	12199	1
16	SCREW- Idle adjustment	77494	1
17	NEEDLE- Mixture adjustment	+ 77493	2
18	SPRING- Adjustment needle	+ 67377	2
19	VALVE- Choke	67365	1
20	SPRING- Choke friction	+ 64238	1
21	BALL- Choke friction	+ 60051	1
	REPAIR KIT- Check valve (accessory)	65386	1
	Includes:		

No.	Description	Part No.	Qty.
22	VALVE- Check		1
23	SEAT- Valve		1
24	SCREEN- Check valve	+ 67381	1
25	RING- Screen retaining	+ 67360	1
26	GASKET- Circuit plate	*70186	1
27	NEEDLE- Inlet	+ 64229	1
28	SPRING- Metering lever	+ 70752	1
29	PLATE- Circuit (HDC-33)	+ 93204	1
30	SCREW- Circuit plate	97902	2
31	GASKET- Metering diaphragm	*64231	1
32	DIAPHRAGM- Metering	+ 67371	1
33	COVER- Metering diaphragm	94510	1
34	SCREW- Metering cover	64689	4
35	REPAIR KIT	93205-A	1
36	GASKET SET	+ 70203	1
37	GASKET- Diaphragm Kit	†93754	1
38	GOVERNOR-Valve	77495	1
	Accessories		
	DRIVER- Check valve installation	24972	1
	+ Indicates contents of Repair Kit		
	* Indicates contents of Gasket Set		
	† GASKET DIAPHRAGM KIT- Contains Index Numbers 10, 11, 26, 31 & 32		

ALWAYS FURNISH MODEL AND SERIAL NUMBER WHEN ORDERING PARTS.

APPENDIX "A"

35-SL UT-50222-A  
CONVERSION KIT  
PART NUMBER #A-79438

<u>ITEM</u>	<u>PART NO.</u>	<u>DESCRIPTION</u>	<u>QUANTITY</u>
1	A-78251-2A	COVER, Air filter	1
2	A-79356-A	ENGINE HOUSING	1
3	70714	GASKET	1
4	70715	ADAPTER	1
5	88042	SCREW	4
6	12062-1C	FLANGE Carburetor	1
7	12048-C	CONNECTOR, Carburetor	1
8	12291	SPRING, Garter	1
9	A-12139-A	AIR DEFLECTOR	1
10	A-93240	BRACKET, Cover mounting	1
11	A-96320-1	CARBURETOR	1
12	12054	GROMMET	1
13	88050	SCREW	2
14	93460	SCREW	2
15	A-70923-A	BUSHING & GASKET	1
16	93112-22	TUBING RUBBER	1
17	79209	AIR FILTER	1
18	79451	INSTRUCTION SHEET	1

EZ/dg

May 20th 1986