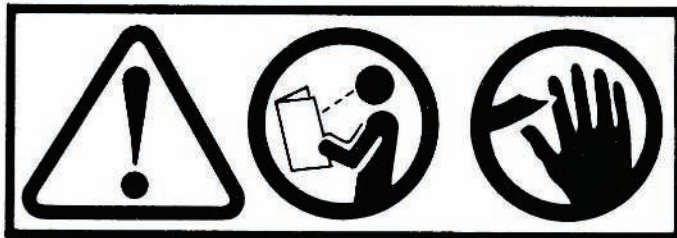


# HOMELITE®

- Ⓒ PARTS LIST
- Ⓕ LISTE DE PIÈCES
- Ⓓ TEILELISTE
- Ⓘ ELENCO DELLE PARTI
- Ⓔ LISTA DE PIEZAS

**300 CHAIN SAW**  
**SCIE A CHAINE 300**  
**MOTORSAGE 300**  
**MOTOSEGA 300**  
**MOTOSIERRA 300**



Ⓒ Printed in U.S.A.  
Ⓕ Imprimé aux E.U.  
Ⓓ Gedruckt in U.S.A.  
Ⓘ Stampato negli Stati Uniti  
Ⓔ Impreso in E.E.U.U.  
P/N 18511

FIGURE 1  
FIGURE 1  
ABBILDUNG 1  
FIGURA 1  
FIGURA 1

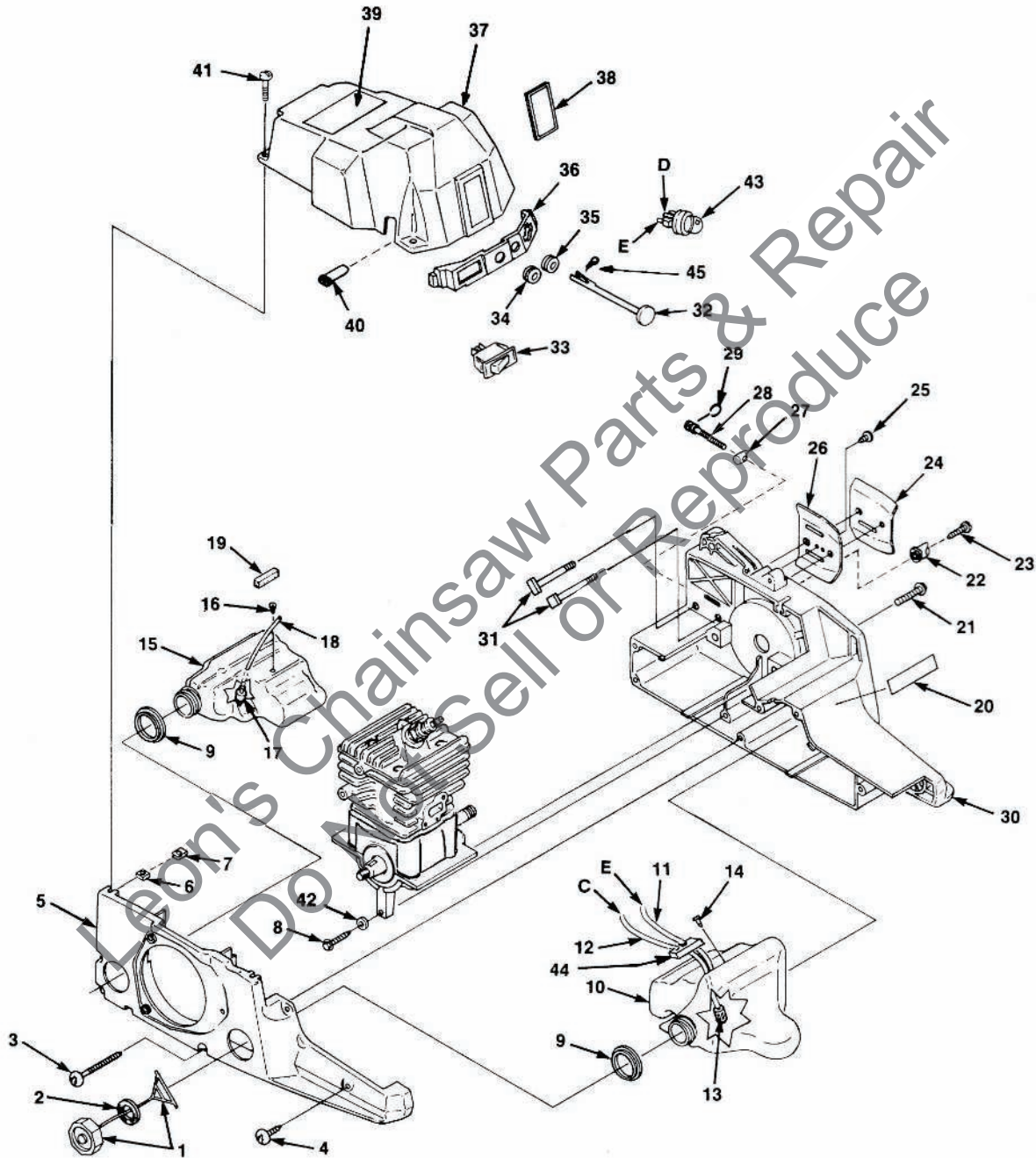


No. No. Nr. N° No.	Part Number No. de Pièce Best.—Nr. Pezzo N° No. de Pieza	Description	Qty. Qté Menge Qta Cant.
1	82546	SCREW- (8-16 x 1/2")	2
2	82566	SCREW- (8-16 x 2 1/4")	1
3	A-02580-A	STARTER HOUSING w/Decal	1
4	02264	GRIP-Starter	1
5	97899	ROPE	1
6	A-97908	SPRING & CONTAINER	1
7	97768-A	PULLEY	1
8	01715-1	HOUSING- Starter side	1
9	94062	WASHER- Retainer	1
10	93417	SCREW- Thd. forming (10-24 x 5/8")	1
11	81124-A	NUT- Jam	1
12	83102	WASHER- Lock (3/8")	1
13	•A-00994-A	ROTOR & STARTER PAWL ASSY.	1
14	A-02774	STARTER PAWL	1
15	98197	SEAL- Shaft	1
16	28922-1	RING- Retaining	1
17	•A-03303	CRANKSHAFT ASSY.	1
18	98797	BEARING- Ball	2
19	75078	KEY- Woodruff	1
20	68512	BEARING- Roller	1
21	•A-03301	PISTON & PIN ASSY.	1
22	02263-A	RING- Piston	2
23	64813	RING- Retainer	2
24	•A-01546	MODULE- Ignition	1
25	A-02597	BOOT- Spark plug	1
26	69326	LEAD- Hi Tension	1
27	95098	INSULATOR- Lead	1
28	A-01822-A	WIRE- Ignition	1
29	A-01821-A	WIRE- Ground	1
30	88052	SCREW- (10-24 x 7/8")	2
31	88058	SCREW- Sems (10-24)	3
32	A-02555	BODY- Muffler	1
33	01734	COVER- Exhaust	1
34	01733	SCREEN- Spark arrestor	1
35	01729	GASKET- Muffler	1
36	•A-03302	CRANKCASE ASSY.	1
37	80891	SCREWS - (12-24 x 7/8")	4
38	93858	SEAL- Crankshaft	1
39	00229	WORM- Left hand	1
40	A-00769	CLUTCH- Spider	1
41	98292	SHOE- Clutch	3
42	98453	SPRING- Clutch	1
43	58833	WASHER- Thrust (Inner)	1
44	A-02990	SPLINE & DRUM	1
45	02999	BEARING- Needle	1
46	03039	RACE- Inner	1
47	03012	SPROCKET- (.325 x 8 tooth)	1
48	65027	WASHER	1
49	81255	NUT- Lock hex (3/8-24)	1
50	02548	LINE- Oil	1
51	A-02802-A	PUMP- Oil	1
52	82146	SCREW- Oil pump (8-32 x 5/8")	2
53	98217	PLUG- Spark (RCJ6Y)	1
54	82568	SCREW- Pan Hd.	4
55	•A-03719	CYLINDER & GASKET	1
56	02527	GASKET	1

- Assemblies
- Ensemble
- Bausätze
- Complessi
- Conjunto



FIGURE 2  
FIGURE 2  
ABBILDUNG 2  
FIGURA 2  
FIGURA 2

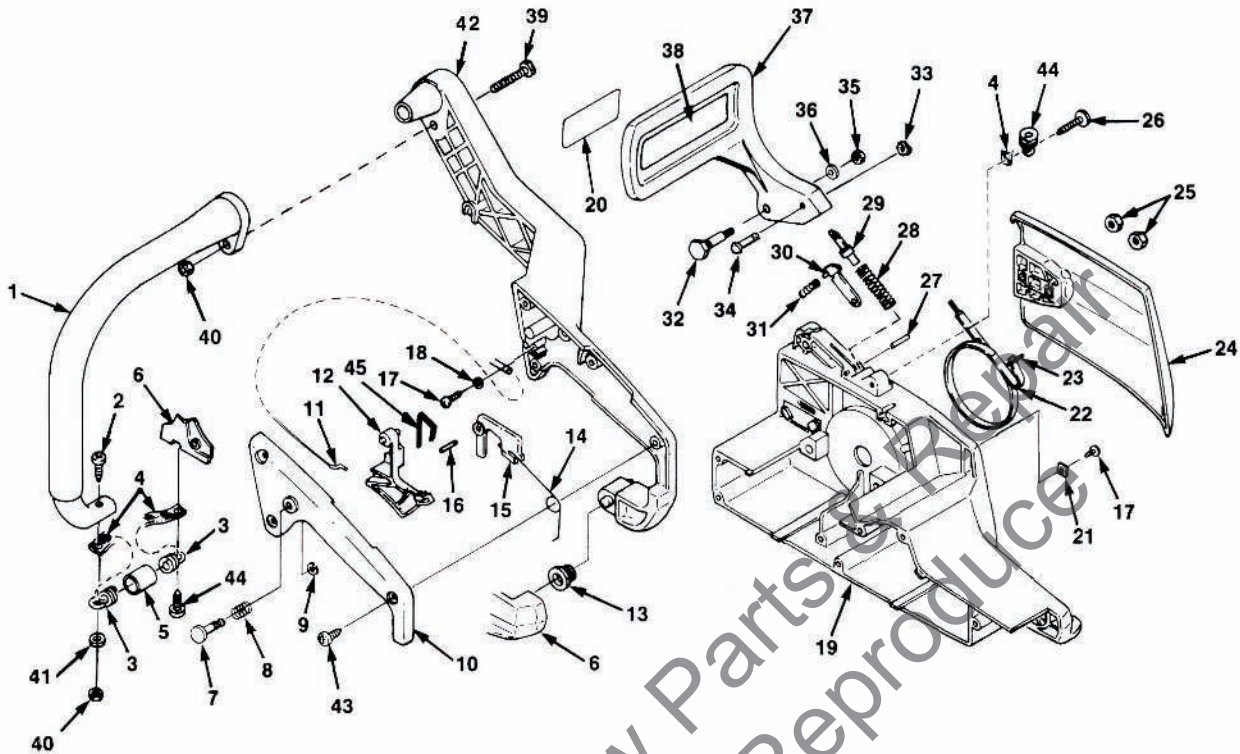


No. No. Nr. N° No.	Part Number No. de Pièce Best.—Nr. Pezzo N° No. de Pieza	Description	Qty. Qté Menge Qta Cant.
1	●A-00904	CAP- Tank (w/retainer)	2
2	02762	GASKET	2
3	82545	SCREW (8-16 x 1 3/4")	3
4	82546	SCREW- (8-16 x 5/8")	2
5	01715-1	HOUSING- Starter side	1
6	70810	NUT- Square (10-24)	3
7	95337	NUT- Retainer	3
8	82558	SCREW- Thd. forming (10-14 x 1 1/8")	1
9	00993	SEAL- Tank	2
10	●A-01811	TANK- Fuel	1
11	70310-21	TUBING- Rubber	1
12	70310-36	TUBING- Rubber	1
13	49422	FILTER- Fuel	1
14	69451	VALVE- Check	1
15	●A-01810-A	TANK- Oil	1
16	69451	VALVE- Check	1
17	A-68593	FILTER- Oil	1
18	70310-29	TUBING- Rubber	1
19	02952	FILTER- Foam	1
20	01805	DECAL- Panel	1
21	80864	SCREW (12-24 x 1")	2
22	95212	STOP- Chain	1
23	82537	SCREW (10-14 x 7/8")	1
24	01170	PLATE- Guide bar (outer)	1
25	82513	SCREW (6-19 x 1/2")	1
26	98278	PLATE- Guide bar (inner)	1
27	65112-1	PIN- Adjusting	1
28	03139	SCREW- Adjusting	1
29	69599	RING- Snap	1
30	●A-03720	HOUSING- Drive side	1
31	03132	BOLT- Guide Bar	2
32	02262	ROD- Choke	1
33	01802	SWITCH	1
34	69889	BOOT- Throttle cable	1
35	64862	GROMMET- Choke	1
36	01169	PANEL- Control	1
37	●A-03304	COVER- Cylinder Assy.	1
38	01173-A	SCREEN- Air inlet	1
39	02506	DECAL- Warning	1
40	01728	GROMMET- Carburetor	1
41	95792	SCREW- (10-24 x .710)	3
42	83056	WASHER- Lock	1
43	01183	BULB- Primer	1
44	02952	FILTER- Foam	1
45	86334	PIN- Cotter	1

- Assemblies
- Ensemble
- Bausätze
- Complessi
- Conjunto



FIGURE 3  
 FIGURE 3  
 ABBILDUNG 3  
 FIGURA 3  
 FIGURA 3

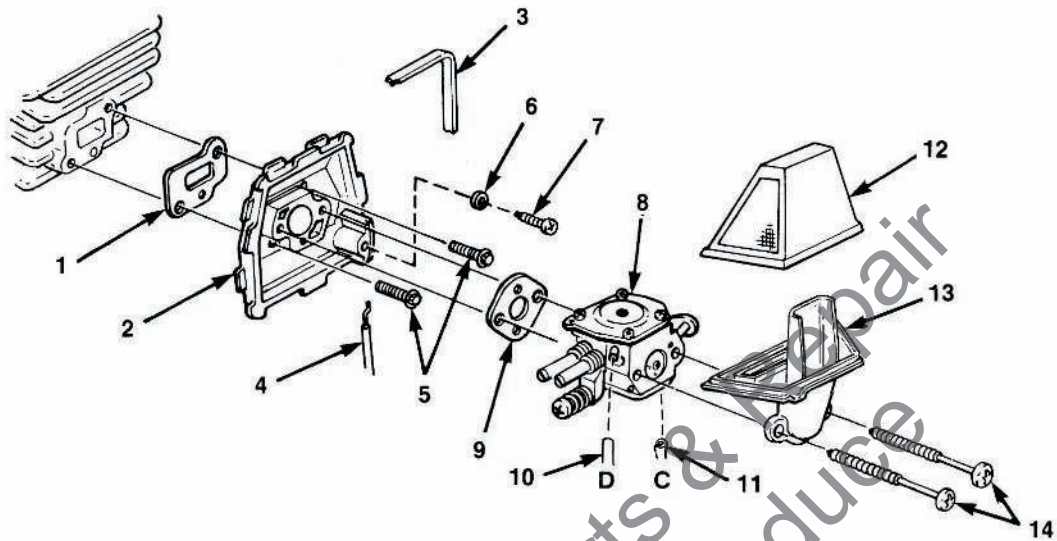


No. No. Nr. N° No.	Part Number No. de Pièce Best.—Nr. Pezzo N° No. de Pieza	Description	Qty. Qté Menge Qta Cant.
1	A-02790	HANDLE BAR	1
2	96620	SCREW (10-24 x 1/2")	1
3	01168	SPRING- Extension	1
4	01812-A	RETAINER- Spring	2
5	01813	SLEEVE- Spring	2
6	01715-1	HOUSING- Starter side	1
7	95671	PIN- Throttle lock	1
8	95020	SPRING- Compression	1
9	58409	RING- Retaining	1
10	00210-B	COVER- Rear handle	1
11	00997-B	CABLE- Throttle	1
12	00211-A	TRIGGER- Throttle	1
13	02508	ISOLATOR- Vibration	2
14	01177-A	SPRING	1
15	93385-A	LOCK- Throttle	1
16	70253	PIN- Dowel	1
17	82513	SCREW (6-19 x 1/2")	2
18	84111	WASHER	1
19	00206-C	HOUSING- Drive side	1
20	02561	LABLE- Kick back	1
21	01180	RETAINER- Break band	1
22	●A-98298-A	BRAKE BAND ASSEMBLY	1
23	98447-A	PIN	1

No. No. Nr. N° No.	Part Number No. de Pièce Best.—Nr. Pezzo N° No. de Pieza	Description	Qty. Qté Menge Qta Cant.
24	A-00226	COVER- Drive case	1
25	81196	NUT- (5/16 x 18)	2
26	82546	SCREW- (8-16 x 5/8")	2
27	98456	PIN	1
28	00890	SPRING- Compression	1
29	A-00888-A	ADJUSTER- Brake	1
30	A-98317-A	BRAKE LATCH ASSEMBLY	1
31	98308	SPRING- Coil	1
32	98461	SCREW- Shoulder	1
33	01820	RING- Retainer	1
34	98422-A	PIN	1
35	98457	NUT	1
36	83203	WASHER (Bellville)	1
37	●A-03306	HAND GUARD ASSY.	1
38	02661	DECAL- Safety	1
39	82218	SCREW (10-24 x 1 1/8")	1
40	81261	NUT	2
41	84008	WASHER	1
42	00209-B	HANDLE	1
43	82546	SCREW- (8-16 x 5/8")	4
44	02813	SPRING	1
45	03095	SPRING- Trigger	1

- Assemblies
- Ensemble
- Bausätze
- Complessi
- Conjunto

**FIGURE 4**  
**FIGURE 4**  
**ABBILDUNG 4**  
**FIGURA 4**  
**FIGURA 4**



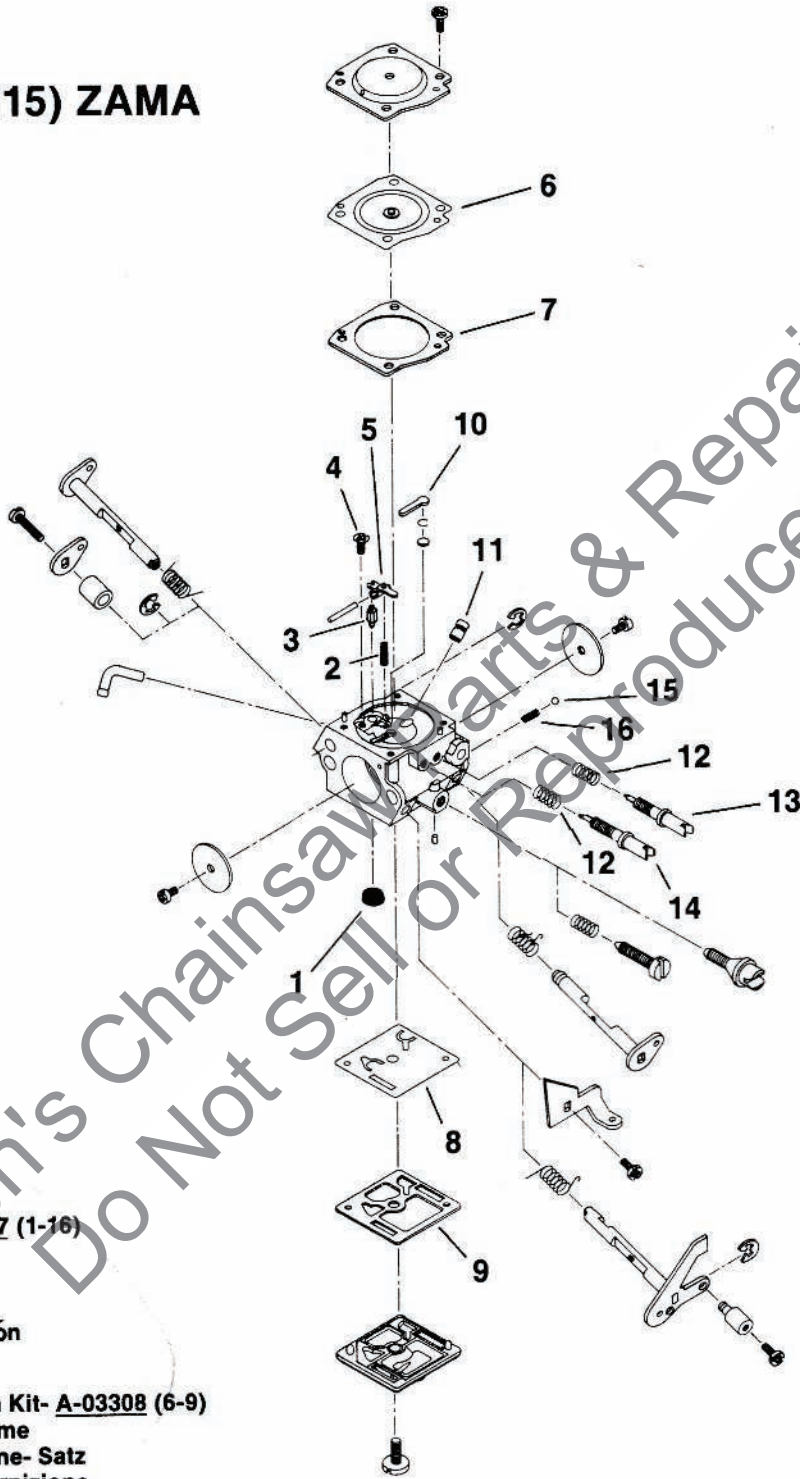
No. No. Nr. N° No.	Part Number No. de Pièce Best.-Nr. Pezzo N° No. de Pieza	Description	Qty. Qté Menge Qta Cant.
1	01727	GASKET- Carburetor spacer	1
2	• A-03305	SPACER- Carburetor	1
3	03141	FOAM- Adhesive	1
4	00997-B	CABLE- Throttle	1
5	82248	SCREW- Carburetor spacer	2
6	84111	WASHER	1
7	82513	SCREW (6-19 x 1/2")	1
8	A-01731	CARBURETOR- Walbro (HDA-99)	1
	A-02528	CARBURETOR- Zama (C3A-H15)	1
9	98339	GASKET	1
10	01439-19	TUBING- Rubber	1
11	70310-36	TUBING- Rubber	1
12	01719	ELEMENT- Air filter	1
13	01718	BODY- Air filter	1
14	82544	SCREW (8-16 x 2")	2

- Assemblies
- Ensemble
- Bausätze
- Complessi
- Conjunto



**FIGURE 5**  
**FIGURE 5**  
**ABBILDUNG 5**  
**FIGURA 5**  
**FIGURA 5**

**A-02528 (C3A-H15) ZAMA**



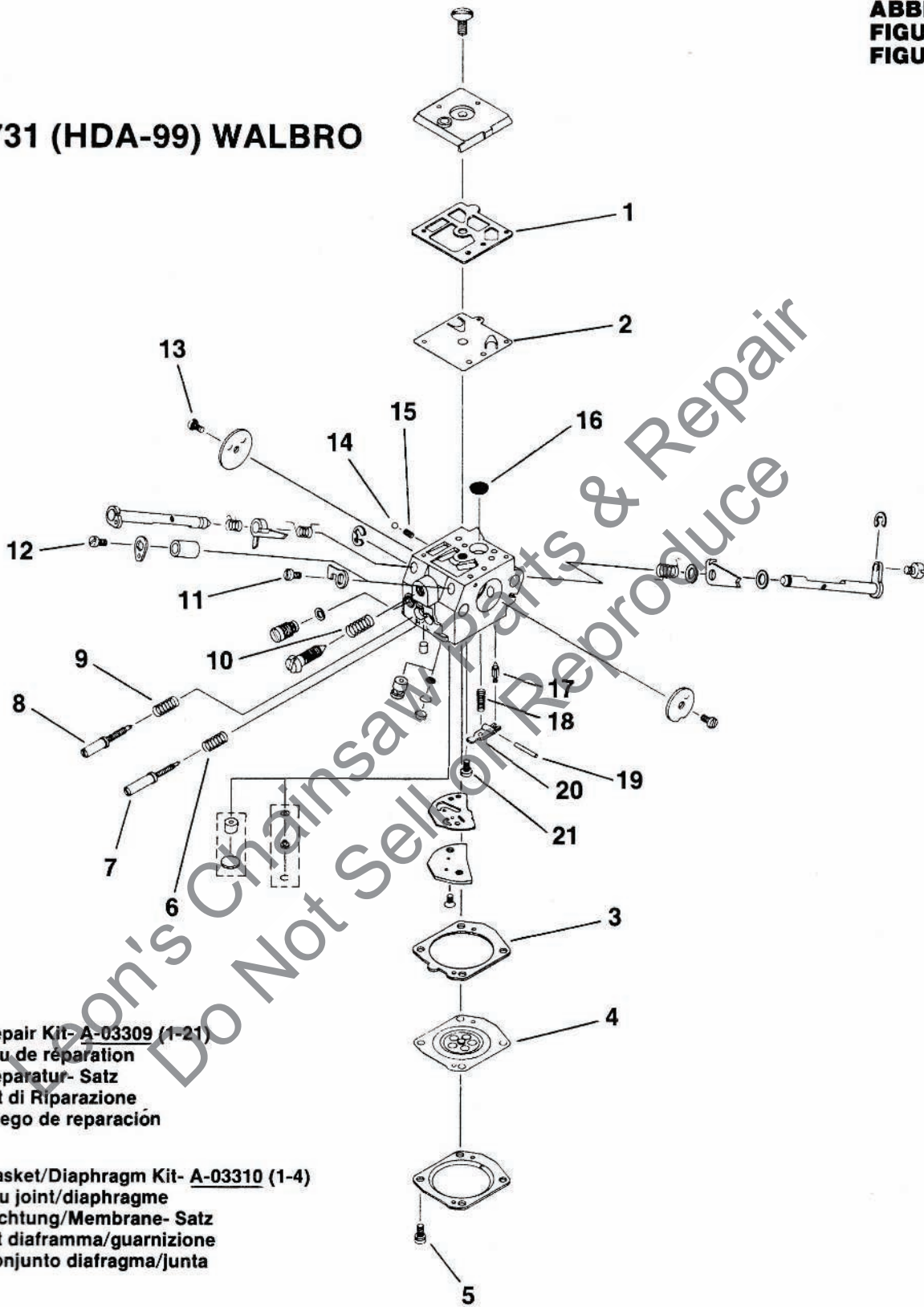
**Repair Kit- A-03307 (1-16)**  
**Jeu de réparation**  
**Reparatur- Satz**  
**Kit di Riparazione**  
**Juego de reparación**

**Gasket/Diaphragm Kit- A-03308 (6-9)**  
**Jeu joint/diaphragme**  
**Dichtung/Membrane- Satz**  
**Kit diaframma/guarnizione**  
**Conjunto diafragma/junta**



**FIGURE 6**  
**FIGURE 6**  
**ABBILDUNG 6**  
**FIGURA 6**  
**FIGURA 6**

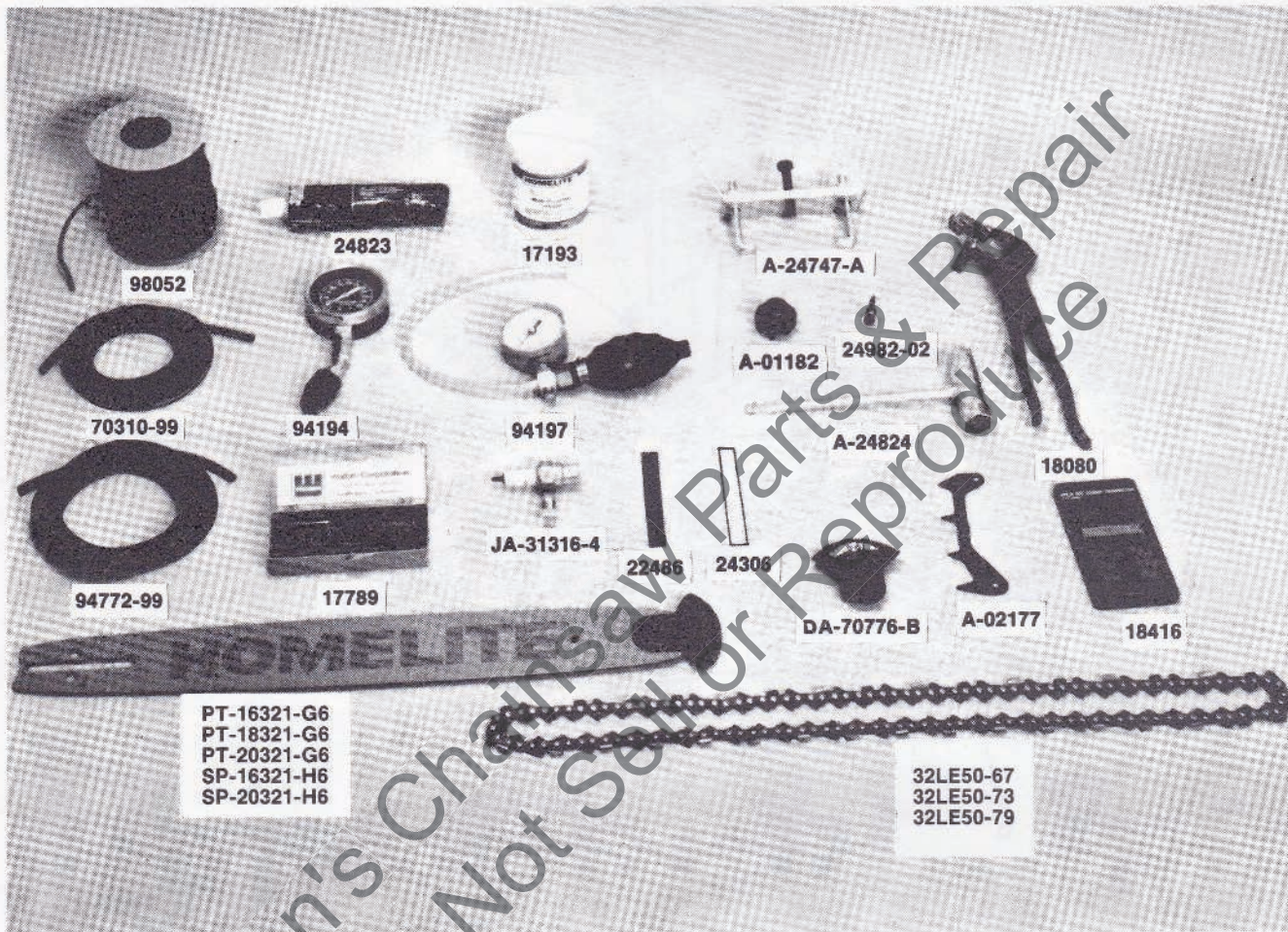
**A-01731 (HDA-99) WALBRO**



**Repair Kit- A-03309 (1-21)**  
 Jeu de réparation  
 Reparatur- Satz  
 Kit di Riparazione  
 Juego de reparación

**Gasket/Diaphragm Kit- A-03310 (1-4)**  
 Jeu joint/diaphragme  
 Dichtung/Membrane- Satz  
 Kit diaframma/guarnizione  
 Conjunto diafragma/junta

**ACCESSORIES**  
**ACCESSOIRES**  
**ZUBEHÖR**  
**ACCESORIOS**  
**ACCESSORI**



Leon's Chainsaw Parts & Repair  
 Do Not Sell or Reproduce



- **BUMPER SPIKE KIT** ..... A-02177  
 Jeu de crampon d'amortisseur  
 Stoßstangen-Spikesatz  
 Kit della punta del paraurti  
 Juego de punta del parachoques
- **RUBBER TUBING (10')** ..... 94772-99  
 Tubes en caoutchouc (3,05 m)  
 Gummirohr (3,05 m)  
 Dotto di gomma (3,05 m)  
 Tubo de caucho (3,05 m)
- **GREASE- Multi-Purpose (Sprocket bearing-PT guide bar)** ..... 18453  
 Graisse universelle (Palier de pignon-PT - lame-guide)  
 Mehrzweck-Schmiermittel (Kettenradlager - PT - Führungsschiene)  
 Grasso, multiuso (Cuscinetto della ruota dentata - PT - barra di guida)  
 Grasa de uso general (Cojinete de la rueda dentada - PT - barra guía)
- **STARTING ROPE (250 ft. Reel)** ..... 98052  
 Cordon de lanceur (75 m bobine)  
 Starterseil (76 m Spule)  
 Corda d'avviamento (bobina da 76 m)  
 Cuerda de arranque (carrete de 76 m)
- **SAFE•T•TIP®** ..... DA-70776-B  
 SAFE•T•TIP®  
 SAFE•T•TIP®  
 SAFE•T•TIP®  
 SAFE•T•TIP®
- **RUBBER TUBING (10')** ..... 70310-99  
 Tubes en caoutchouc (3,05 m)  
 Gummirohr (3,05 m)  
 Dotto di gomma (3,05 m)  
 Tubo de caucho (3,05 m)
- **GUIDE BAR, (power tip) (16")** ..... PT-16321-G6  
 Lame guide, (Extrémité motrice) (40,64cm)  
 Führungsstange, (Antriebsspitze) (40,64cm)  
 Lama, (Punta di potenza) (40,64cm)  
 Barra guía, (Punta de potencia) (40,64cm)
- **GUIDE BAR (power tip) (18")** ..... PT-18321-G6  
 Lame guide, (Extrémité motrice) (45,72cm)  
 Führungsstange, (Antriebsspitze) (45,72cm)  
 Lama, (Punta di potenza) (45,72cm)  
 Barra guía, (Punta de potencia) (45,72cm)
- **GUIDE BAR, (power tip) (20")** ..... PT-20321-G6  
 Lame guide, (Extrémité motrice) (50,80cm)  
 Führungsstange, (Antriebsspitze) (50,80cm)  
 Lama, (Punta di potenza) (50,80cm)  
 Barra guía, (Punta de potencia) (50,80cm)
- **GUIDE BAR, (sprocket tip) (16")** ..... SP-16321-H6  
 Lame guide, (Extrémité à pignon) (40,64cm)  
 Führungsstange, (Kettenradspitze) (40,64cm)  
 Lama, (Punta dentata) (40,64cm)  
 Barra guía, (Punta de rueda dentada) (40,64cm)
- **GUIDE BAR, (sprocket tip) (20")** ..... SP-20321-H6  
 (40,64cm)  
 Lame guide, (Extrémité à pignon) (50,80cm)  
 Führungsstange, (Kettenradspitze) (50,80cm)  
 Lama, (Punta dentata) (50,80cm)  
 Barra guía, (Punta de rueda dentada) (50,80cm)
- **CHAIN (32-LE50-67) (16")**  
 Chaîne (32-LE50-67) (40,64cm)  
 Kette (32-LE50-67) (40,64cm)  
 Catena (32-LE50-67) (40,64cm)  
 Cadena (32-LE50-67) (40,64cm)
- **CHAIN (32-LE50-73) (18")**  
 Chaîne (32-LE50-73) (45,72cm)  
 Kette (32-LE50-73) (45,72cm)  
 Catena (32-LE50-73) (45,72cm)  
 Cadena (32-LE50-73) (45,72cm)
- **CHAIN (32-LE50-79) (20")**  
 Chaîne (32-LE50-79) (50,80cm)  
 Kette (32-LE50-79) (50,80cm)  
 Catena (32-LE50-79) (50,80cm)  
 Cadena (32-LE50-79) (50,80cm)
- **COMPRESSION TESTER** ..... 94194  
 Appareil d'essai de compression  
 Verdichtungs-Prüfgerät  
 Tester a compressione  
 Medidor de compresion
- **CARBURETOR REPAIR TOOL** ..... 17789  
 Outil de réparation de carburateur  
 Vergaser-Reparaturwerkzeug  
 Attrezzo di riparazione del carburatore  
 Herramienta de reparacion del carburador
- **SHIM (.0125")** ..... 24306  
 Cale (0,31mm)  
 Distanzstück (0,31mm)  
 Zeppa (0,31mm)  
 Calce (0,31mm)
- **DIGITAL TACHOMETER** ..... 18416  
 Compte-tours numérique  
 Digital-Drehzahlmesser  
 Tachometro digitale  
 Taçometro digital
- **CLUTCH ASSEMBLY TOOL** ..... 18080  
 Outil de montage d'embrayage  
 Kupplungszusammenbau-Werkzeug  
 Attrezzo del gruppo frizione  
 Herramienta de armado del embrague
- **SEALANT SILICON** ..... 24823  
 Matériau d'étanchéité au silicone  
 Silicon-Dichtungsmasse  
 Sigillo al silicone  
 Sellador de silicio
- **WRENCH (combination)** ..... A-24824  
 Clé combiné  
 Schraubenschlüssel Kombination  
 Chiave combinata  
 Llave combinada
- **PULLER- Magneto Rotor** ..... A-24747-A  
 Extracteur, rotor magnito  
 Abziehwerkzeug-Magnetrotor  
 Rotore d'estrazione a magnete  
 Extractor rotor de magneto
- **T-25 TORX DRIVE BIT** ..... 24982-02  
 Foret torx T-25  
 T-25 Torx-Antriebsbit  
 Punta Torx Drive T-25  
 Broca de empuje T-25 Torx
- **SHIM (0.015" AIR GAP)** ..... 22486  
 Cale (écart de 0,38 mm)  
 Distanzscheibe (0,38 mm Luftspalt)  
 Spessore (spinterometro 0,38 mm)  
 Suplemento (espacio de 0,38 mm)
- **TESTER (Spark Plug)** ..... JA-31316-4  
 Appareil de contrôle (Bougie)  
 Prüfgerät (Zündkerze)  
 Tester (candela)  
 Probador de bujía
- **CLUTCH SPANNER** ..... A-01182  
 Clé à embrayage  
 Kupplungs-Gabelschlüssel  
 Chiave della frizione  
 Llave para embrague



**SYMBOL DEFINITIONS  
DEFINITIONS DES SYMBOLES  
ERKLÄRUNG DER WARNSYMBOL  
SIGNIFICADO DE LOS SIMBOLOS  
DEFINIZIONI DEI SIMBOLI**



**DANGER!  
DANGER!  
GEFAHR!  
¡PELIGRO!  
PERICOLO!**



**READ YOUR PRODUCT LITERATURE.  
LIRE LES PUBLICATIONS SUR LE PRODUIT.  
DIE MASCHINEN-BESCHREIBUNGEN UND ANLEITUNGEN LESEN.  
LEER EL MANUAL DEL PRODUCTO.  
LEGGERE LA DOCUMENTAZIONE DEL PRODOTTO.**

**DANGER- KEEP HANDS AND FEET AWAY.  
DANGER- NE PAS APPROCHER LES MAINS NI LES PIEDS.  
GEFAHR- HÄNDE UND FÜSSE FERNHALTEN  
PELIGRO- ALEJAR LAS MANOS Y LOS PIES.  
PERICLO- TENERE LONTANI MANI E PIEDI.**

**CUSTOMER ASSISTANCE**

**FOR THE LOCATION OF YOUR NEAREST HOMELITE SERVICING DEALER IN THE UNITED STATES, PUERTO RICO, AND THE VIRGIN ISLANDS.**

**CALL: 1-800-242-4672**

**NOTE: DEALER INFORMATION, TECHNICAL ADVICE AND PRODUCT INFORMATION CAN BE OBTAINED AT THIS NUMBER.**

**HEADQUARTERS**

**HOMELITE DIVISION OF TEXTRON INC.  
P.O. BOX 7047  
CHARLOTTE, N.C. 28241**

**OVERSEAS OFFICES**

**ENGLAND**

**HOMELITE  
DIVISION OF TEXTRON LIMITED  
UNIT 22  
Hither Green Trading Estate  
Clevedon (Nr. Bristol)  
Avon, BS 21 6XU England**

**FRANCE**

**HOMELITE TEXTRON  
UNE DIVISION DE TEXTRON  
S.A.R.L.  
Z.I. du Vert-Galant  
Rue du Chateau/Rue de la Garenne  
95310 Saint-Quen-L'Aumone  
France**

**NETHERLANDS**

**HOMELITE TEXTRON  
DIVISION OF TEXTRON ATLANTIC  
(HQQS. — Europe, Africa and Middle East)  
Haverstraat 24  
2153 GB Nieuw Vennep  
The Netherlands**

**AUSTRALIA**

**HOMELITE DIVISION OF TEXTRON PACIFIC LIMITED  
HEADQUARTERS  
22 Terra - Cotta Drive  
Blackburn, 3130  
Victoria, Australia**

**CANADIAN OFFICES**

**HOMELITE**

**DIVISION OF TEXTRON CANADA LIMITED  
1850 55th Avenue  
Lachine, Quebec, Canada  
H8T 3J5**

212-214 590 Ebury Place  
Annacis Island  
Delta, British Columbia  
V3M 6K7

595 Canarctic Drive  
Downsview (Toronto)  
Ontario, Canada  
M3J 2P9

16520-111th Avenue  
Edmonton, Alberta  
T5M 3V8

691 Malenfant Blvd.  
Dieppe Industrial Park  
Dieppe, New Brunswick  
E1A 5T8

**HOMELITE TEXTRON**

Homelite Division of Textron Inc.