

# Homelite®

- GB PARTS LIST
- F LISTE DE PIÈCES
- D TEILELISTE
- I ELENCO DEI PEZZI
- E LISTA DE PIEZAS

**CS40...** UT10707- B  
UT10708- B  
UT10760

**CS50...** UT10710- C  
UT10711- C

**250...** UT10689- A  
UT10724- D, E

**300...** UT10687- D, E  
UT10700- C, D  
UT10725- D, E

**252...** UT10732- B, C  
UT10733- B, C

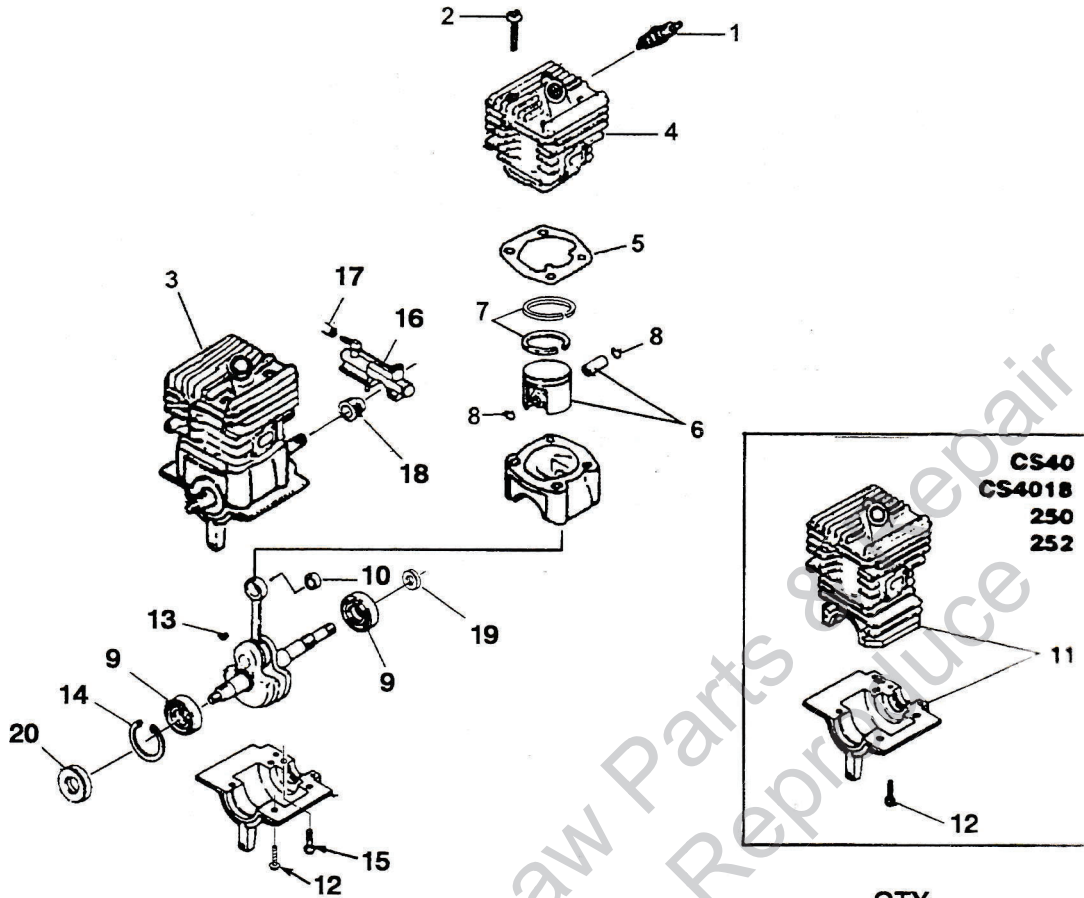
**CS4018...** UT10736- R

**CS5020...** UT10737- R

Printed in U.S.A.  
Imprimé aux. E.-U.  
Gedruckt in den U.S.A.  
Stampato negli Stati Uniti  
Impreso en EE. UU.

P/N 18952-C

# ENGINE INTERNAL



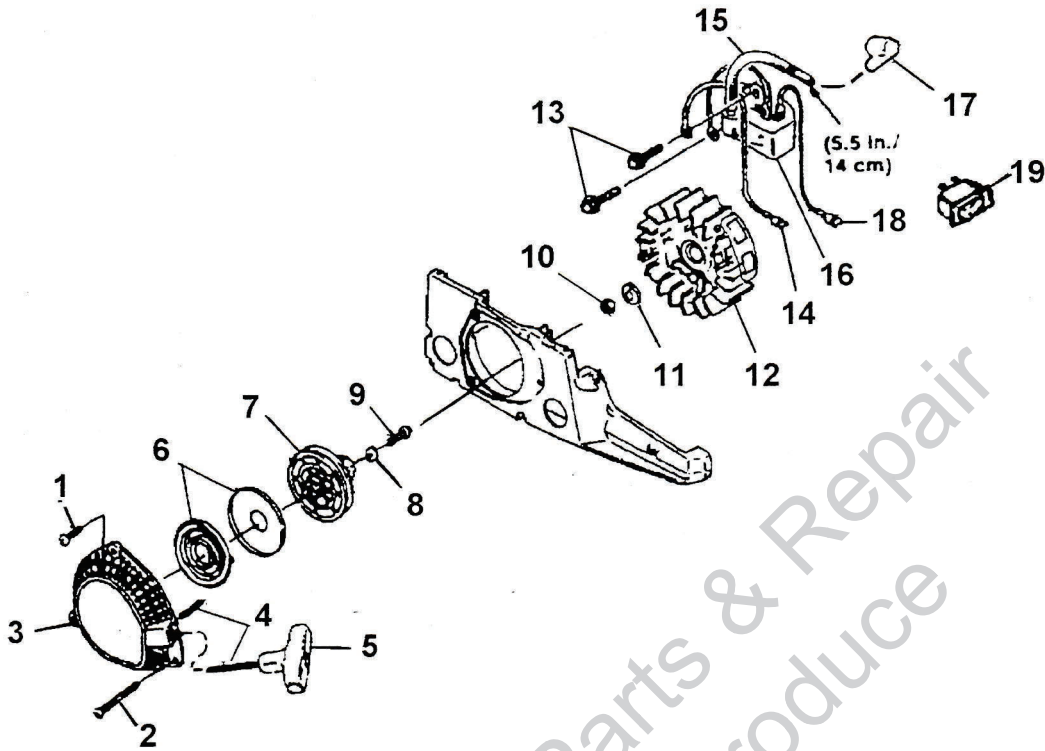
QTY.

NO.	PART NO.	DESCRIPTION	QTY.						
			CS4018	CS40	250	252	300	CS50	CS5020
1	93561-S	SPARK PLUG (CJ6Y)	1	1	1	1	1	1	1
	98217-S	SPARK PLUG (RCJ6Y) (INTL.)							
2	82568	SCREW-PAN Hd.(10-24 x .800)					4	4	4
3	•A-04511	SHORT BLOCK					1	1	1
	A-01544-D	SHORT BLOCK	1	1	1	1			
4	•A-04513	CYLINDER & GASKET					1	1	1
5	02527	GASKET, CYLINDER					1	1	1
6	•A-02579-C	PISTON & PIN	1	1	1	1			
7	01545-B	RING, PISTON	2	2	2	2			
8	64813	RING, WRIST PIN RETAIN.					2	2	2
6	•A-03301-A	PISTON & PIN					1	1	1
7	02263-A	RING, PISTON					2	2	2
8	64813	RING, WRIST PIN RETAIN.					2	2	2
9	98797	BEARING, BALL	2	2	2	2	2	2	2
10	70277	BEARING, NEEDLE	1	1	1	1	1	1	1
11	•A-02577-C	CYLINDER & CRANKCASE	1	1	1	1			
12	80891	SCREW, Hex Hd. (12-24 X 7/8")	4	4	4	4			
13	75078	KEY, WOODRUFF	1	1	1	1	1	1	1
14	28922-1	RETAINING RING	1	1	1	1	1	1	1
15	82146	SCREW, FIL. HD. (8-32 X 5/8")	2	2	2	2	2	2	2
16	A-02802-A	OIL PUMP	1	1	1	1	1	1	1
17	02548	TUBING, OIL (TO GUIDE BAR)	1	1	1	1	1	1	1
18	00229	WORM GEAR, LEFT HAND	1	1	1	1	1	1	1
19	93858	SEAL, CRANKSHAFT	1	1	1	1	1	1	1
20	98197-A	SEAL, SHAFT	1	1	1	1	1	1	1

Assembly  
Ensembles  
Bausatz  
Compress  
Conjuntos

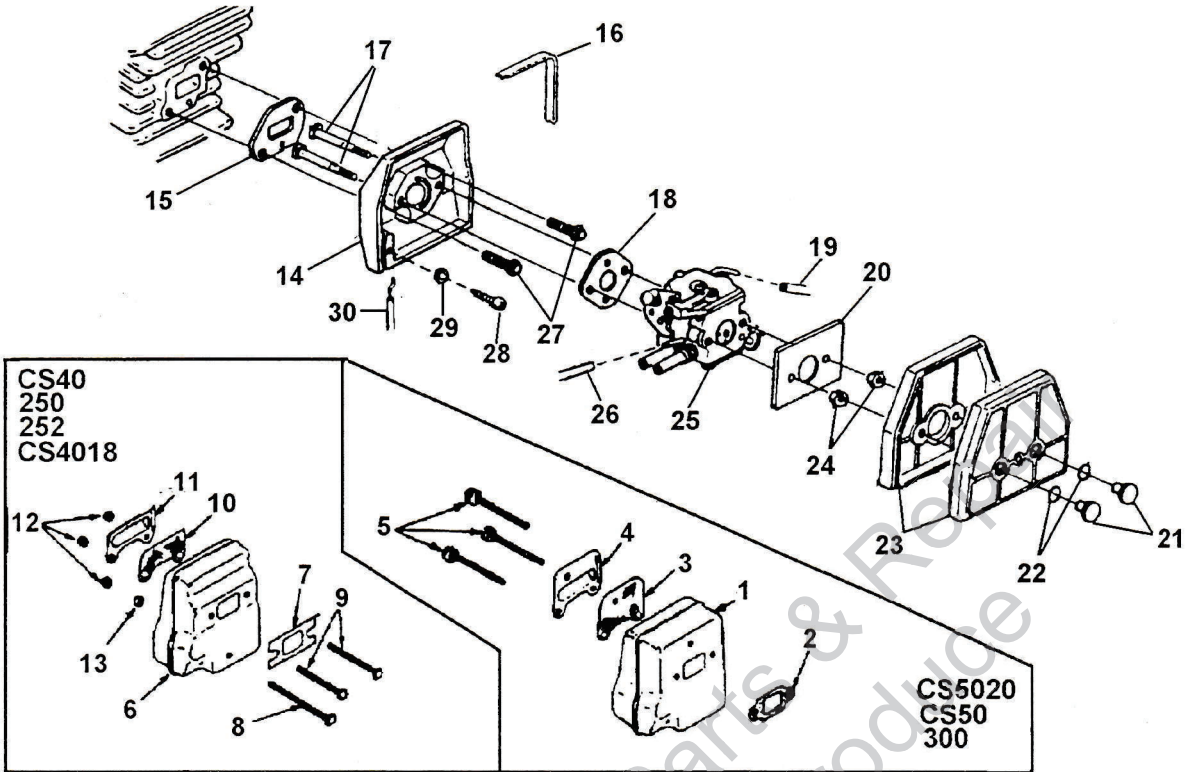


# STARTER - IGNITION



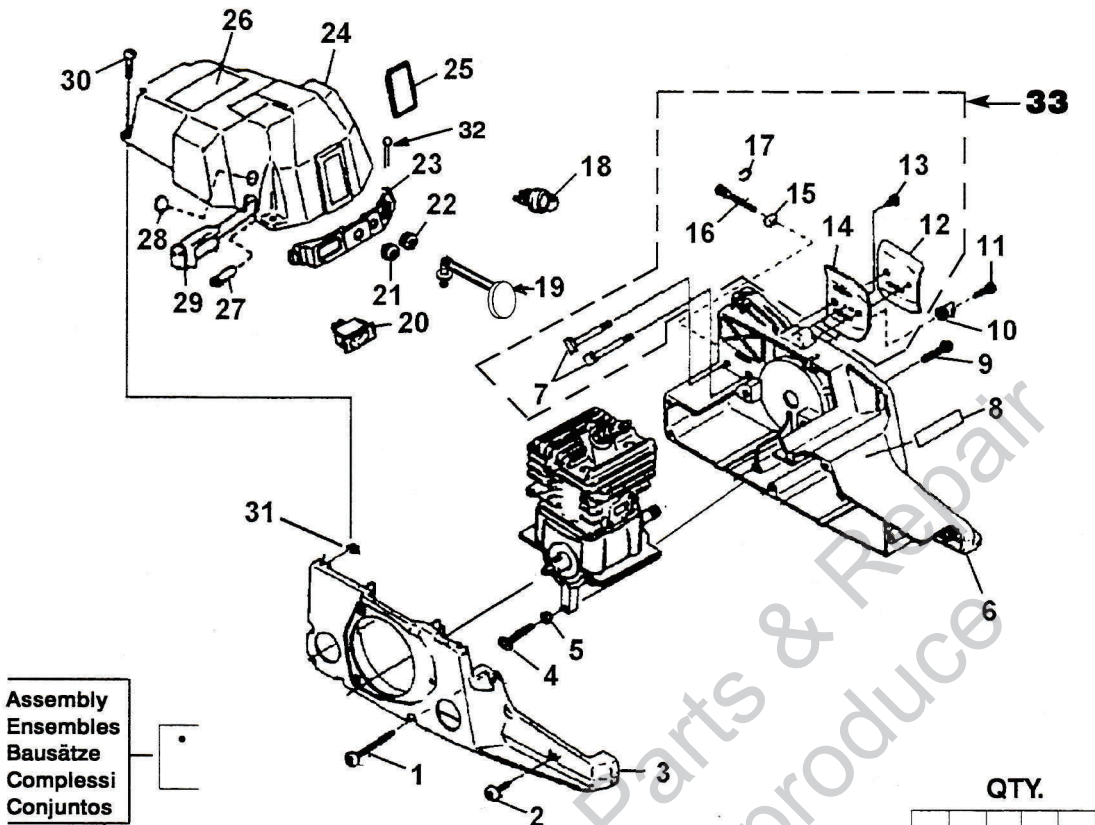
NO.	PART NO.	DESCRIPTION	QTY.				
			CS4018 CS40	250	252	300	CS5020 CS50
1	82546	SCREW-Thread Form (8-16 x 5/8")	4	4	4	4	4
2	82544	SCREW-Thread Form (8-16 x 2")	1	1	1		
	82566	SCREW Thread Form (8-16 x 2 1/4)				1	1
3	•A-04778-A	STARTER - COMPLETE	1	1	1	1	1
4	97899-01	ROPE, STARTER (46")	1	1	1	1	1
5	02264	GRIP, STARTER	1	1	1	1	1
6	A-97908	SPRING & CONTAINER	1	1	1	1	1
7	97768-B	PULLEY	1	1	1	1	1
8	94062	WASHER	1	1	1	1	1
9	82409	SCREW Plastite(10-14 x 5/8")	1	1	1	1	1
10	81124-A	NUT, JAM (3/8" X 24)	1	1	1	1	1
11	83102	WASHER LOCK (3/8")	1	1	1	1	1
12	A-00994-C	ROTOR & STARTER PAWLS	1	1	1	1	1
13	88052	SCREW, Sems Hex Hd. (10-24 x 7/8")	2	2	2	2	2
14	A-01821-A	IGNITION GROUND WIRE	1	1	1	1	1
15	95098	SLEEVE, Insulating	1	1	1	1	1
16	A-01546	IGNITION MADULE	1	1	1	1	1
17	A-02597	SPARK PLUG BOOT KIT	1	1	1	1	1
18	A-01822-A	IGNITION WIRE	1	1	1	1	1
19	01802	SWITCH	1	1	1	1	1

# CARBURETOR - MUFFLER



NO.	PART NO.	DESCRIPTION	QTY.					
			CS4018 CS40	250	252	300	CS5020 CS50	300
1	•A-06652	MUFFLER - Complete					1	1
2	01729	GASKET- Muffler					1	1
3	01733	SCREEN- Spark Arrestor					1	1
4	01734-B	COVER- Exhaust					1	1
5	88058	SCREW-Sems (10-24)					3	3
6	•A-06631-A	MUFFLER - Complete				1	1	1
7	01543-B	GASKET-Muffler	1	1	1			
8	02176	SCREW- Square Hd. (10-32 x 2 1/2)	1	1	1			
9	02509	SCREW- Square Hd. (10-32 x 2 1/4)	2	2	2			
10	01532	SCREEN-Spark Arrestor	1	1	1			
11	01531-A	COVER- Exhaust	1	1	1			
12	81206	NUT Locking (10-32)	3	3	3			
13	84003	WASHER- Flat (#12)	1	1	1			
14	•A-04512	SPACER- Carburetor					1	1
15	04508	GASKET- Carburetor Spacer					1	1
16	03141	FOAM- Adhesive					1	1
14	•A-02583	SPACER-Carburetor	1	1	1			
15	00202-B	GASKET- Carburetor Spacer	1	1	1			
16	01823	FOAM- Adhesive	1	1	1			
17	00905-A	SCREW- Carburetor Retainer	2	2	2	2	2	2
18	98339	GASKET-Carburetor	1	1	1	1	1	1
19	70310-36	TUBING-Rubber (9")	1	1	1	1	1	1
20	02695	RETAINER PLATE	1	1	1	1	1	1
21	01178	RETAINER NUT- Filter	2	2	2	2	2	2
22	02718	"O" RING	2	2	2	2	2	2
23	A-02582-A	AIR FILTER	1	1	1	1	1	1
24	81009	NUT- Hex (8-32)	2	2	2	2	2	2
25	A-07039	CARBURETOR (Walbro WT-372)	1	1	1			
	A-09203	CARBURETOR (Zama C1Q-H32)					1	1
26	70310-19	TUBING- Rubber (4 3/4")	1	1	1	1	1	1
27	82430	SCREW Mach. Hex Hd. (8-32 x 7/8")	2	2	2	2	2	2
28	82513	SCREW Thread Form (6-19 x 5/8")	1	1	1	1	1	1
29	84123	WASHER Flat (#6)	1	1	1	1	1	1
30	00997-D	CABLE Throttle	1	1	1	1	1	1

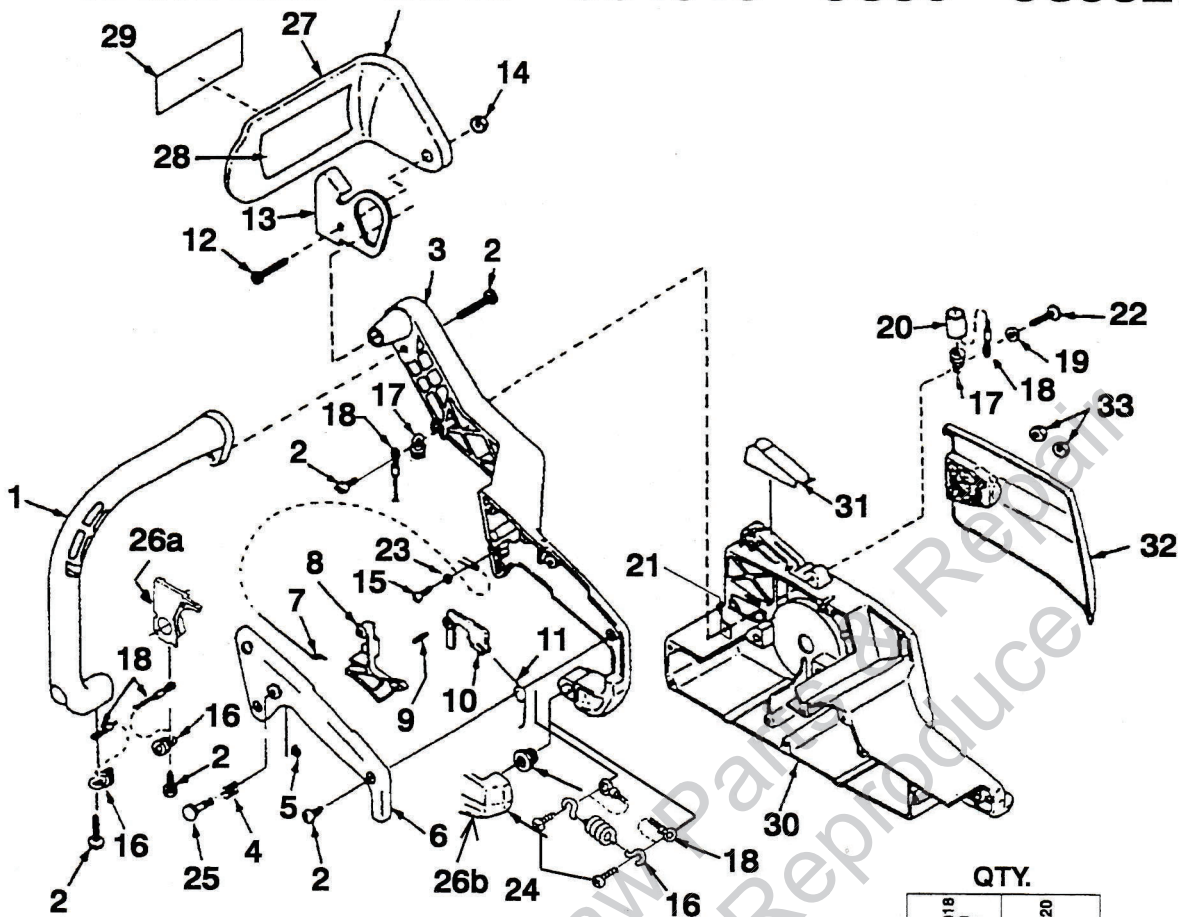
# ENGINE HOUSING



NO.	PART NO.	DESCRIPTION	QTY.				
			CS4018 CS40	250	252	300	CS5020 CS50
1	82545	SCREW- Thread Form (8-16 x 1 3/4")	3	3	3	3	3
2	82546	SCREW- Thread Form. (8-16 x 5/8")	4	4	4	4	4
3	00207-1B 01715-1A	HOUSING-Starter Side	1	1	1		1
4	82588	SCREW-Thread Form. (10-14 x 1 1/8")	1	1	1	1	1
5	83056	WASHER-Lock	1	1	1	1	1
6	•A-03720-B	HOUSING- Drive Side	1	1	1	1	1
7	03132	BOLT- Guide Bar	2	2	2	2	2
8	01805-A	DECAL- Panel	1	1	1	1	1
9	80864	SCREW-Hex Hd. (12-24 x 1")	2	2	2	2	2
10	95212	STOP- Chain	1	1	1	1	1
11	82537	SCREW- Thread Form (10-14 x 7/8")	1	1	1	1	1
12	01170	PLATE- Guide Bar (Outer)	1	1	1	1	1
13	82513	SCREW- Thread Form. (6-19 x 1/2")	1	1	1	1	1
14	98278	PLATE- Guide Bar (Inner)	1	1	1	1	1
15	65112-1	PIN- Adjusting	1	1	1	1	1
16	03139	SCREW- Guide Bar Adjusting	1	1	1	1	1
17	69599	RING- Snap	1	1	1	1	1
18	01183	BULB- Primer	1	1	1	1	1
19	06355	ROD- Choke	1	1	1	1	1
20	01802	SWITCH- Ign.	1	1	1	1	1
21	69889	BOOT- Throttle Cable	1	1	1	1	1
22	64862	GROMMET- Choke	1	1	1	1	1
23	01169	PANEL- Control	1	1	1	1	1
24	•A-04583-A	CYLINDER COVER					1
25	01173-A	SCREEN- Air Inlet					1
26	02506	LABEL- Warning					1
24	•A-02581-C	CYLINDER COVER	1	1	1		
25	01173-A	SCREEN- Air Inlet	1	1	1		
26	02506	LABEL- Warning	1	1	1		
27	01172	GROMMET- Carburetor	1	1	1		
28	01179-A	PLUG- Idle Speed	1	1	1		
29	04373	GROMMET- Carburetor				1	1
30	95792	SCREW- Round Hd. (10-24 x .710)	3	3	3	3	3
31	70810	NUT- Square (10-24)	3	3	3	3	3
32	86334	PIN-Cotter	1	1	1	1	1
33	A-06635	GUIDE BAR FASTENER KIT	1	1	1	1	1



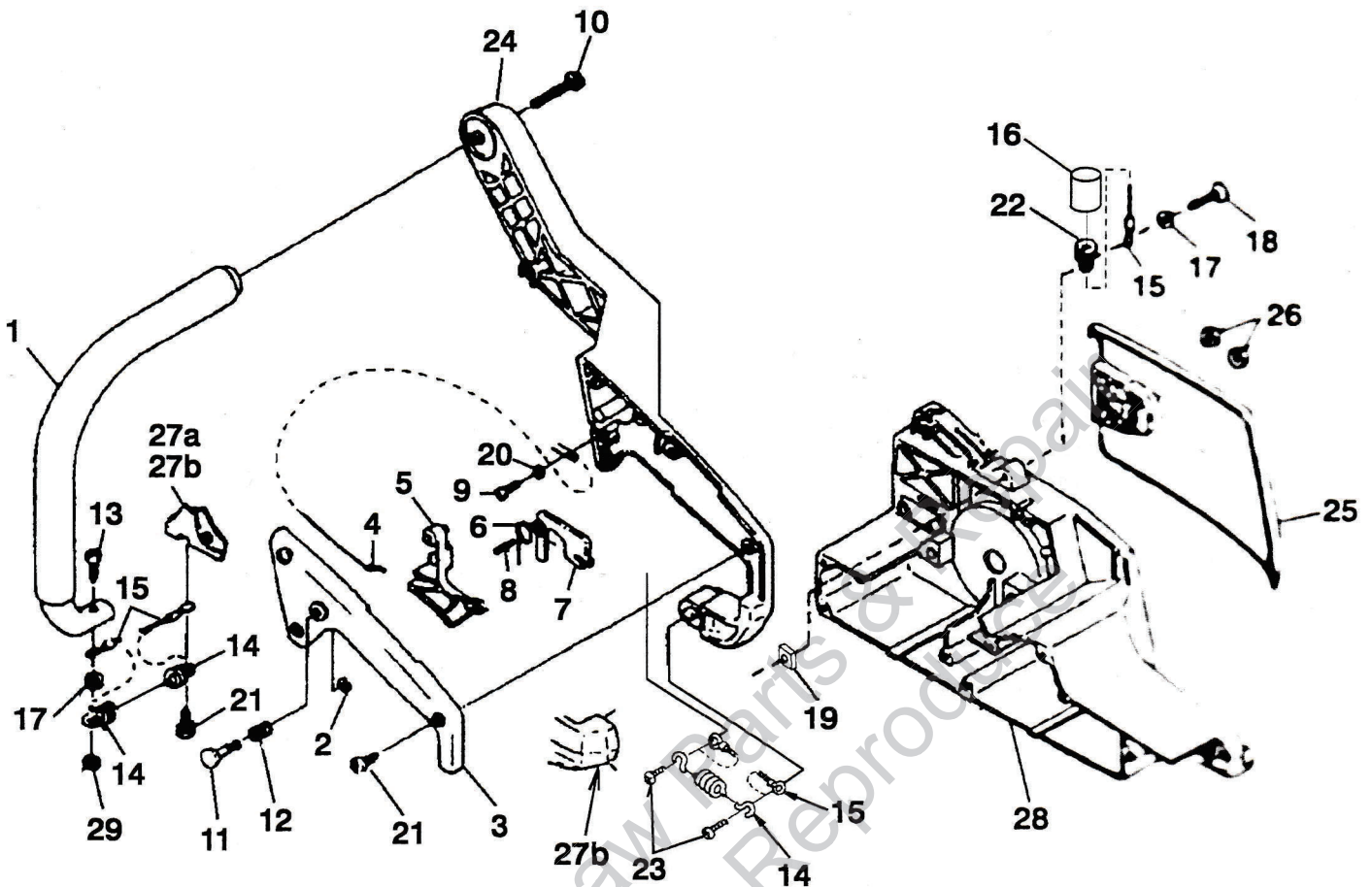
# HANDLES - CS40 - CS4018 - CS50 - CS5020



NO.	PART NO.	DESCRIPTION	QTY.	
			CS4018 CS40	CS5020 CS50
*	•A-07217	HANDLE KIT	1	1
1	A-01175	HANDLE BAR	1	1
2	82546	SCREW, Thread Form (8-16 X 5/8")	7	7
3	07164	HANDLE-Rear	1	1
4	95020	SPRING-Compression	1	1
5	58409	RING, Retaining	1	1
6	00210-C	COVER-Rear Handle	1	1
7	00997-D	CABLE-Throttle	1	1
8	A-03806-A	TRIGGER & SWIVEL	1	1
9	70253	PIN-Dowel	1	1
10	93385-A	LOCK-Trigger	1	1
11	02316	SPRING-Trottle	1	1
12	80402-A	SCREW-Hex Cap	1	1
13	00258	MOUNTING BRACKET-Handguard	1	1
14	81258	NUT-Flange Hex	1	1
15	82513	SCREW, Thread Form (#6-19 X 7/8")	2	2
	•A-07214	ISOLATOR KIT	1	1
16	01168	SPRING-Extension	2	2
17	02813	SPRING-Extension	1	1
18	03583	RETAINER-Spring	3	3
19	84008	WASHER-Flat (#10)	1	1
20	01813	SLEEVE-Spring	1	1
21	70810	NUT-Square (#10-24)	1	1
22	82562	SCREW-Pan Hd. (#10-24 X 7/8")	1	1
23	84123	WASHER-Flat	2	2
24	82546	SCREW-Thread Form (8-16 X 1/2)	2	2
25	95671	PIN-Throttle Lock	1	1
26a	00207-1B	HOUSING-Starter Side	1	
26b	01715-1A	HOUSING-Starter Side		1
27	•A-95088-A	HANDGUARD	1	1
28	02661	DECAL-Kickback	1	1
29	00317-A	DECAL-Kickback	1	1
30	A-03720-B	ENGINE HOUSING-(Drive Side)	1	1
31	00234	COVER-Snap On	1	1
32	A-00226	DRIVE CASE COVER	1	1
33	81196	NUT-Hex (5/16"-18)	2	2

Assembly  
Ensembles  
Bausätze  
Compressi  
Conjuntos

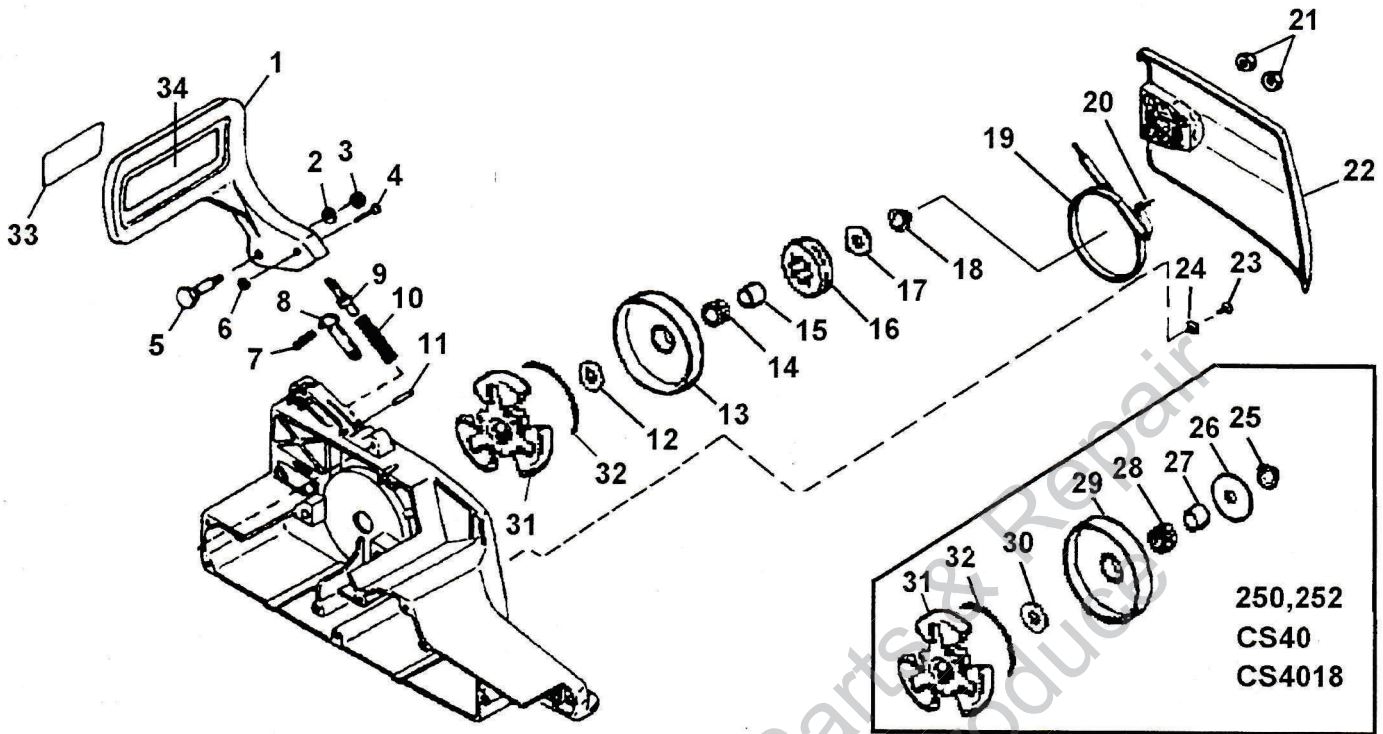
# HANDLES - 250 - 252 - 300



NO.	PART NO.	DESCRIPTION	QTY		
			250	252	300
	•A-07215	HANDLE KIT	1	1	1
1	A-03496	HANDLE BAR	1	1	1
2	58409	RING, RETAINING	1	1	1
3	00210-C	COVER, REAR HANDLE	1	1	1
4	00997-D	CABLE, THROTTLE	1	1	1
5	A-03806-A	TRIGGER, THROTTLE	1	1	1
6	02316	SPRING, THROTTLE	1	1	1
7	93385-A	LOCK, THROTTLE	1	1	1
8	70253	PIN, DOWEL	1	1	1
9	82513	SCREW, THREAD FORM (6-19 X 1/2")	1	1	1
10	80891	SCREW, HEX Hd (12-24 X 7/8")	1	1	1
11	95671	PIN, THROTTLE LOCK	1	1	1
12	95020	SPRING, COMPRESSION	1	1	1
13	96620	SCREW, TORX (10-24 X 1/2")	1	1	1
	•A-07214	ISOLATOR KIT	1	1	1
14	01168	SPRING, EXTENSION	2	2	2
15	03583	RETAINER, SPRING	3	3	3
16	01813	SLEEVE, SPRING	2	2	2
17	84008	WASHER, FLAT (#12)	2	2	2
18	82562	SCREW, PAN Hd. (10-24 X 7/8")	1	1	1
19	70810	NUT, SQUARE (# 10-24)	1	1	1
20	84123	WASHER, FLAT	1	1	1
21	82546	SCREW, THREAD FORM (8-16 X 5/8")	5	5	5
22	02813	SPRING, EXTENSION	1	1	1
23	82546	SCREW, THREAD FORM (8-16 X 1/2")	2	2	2
24	07163	HANDLE, REAR	1	1	1
25	A-00226-A	COVER, DRIVE CASE	1	1	1
26	81196	NUT, HEX	2	2	2
27a	01715-1A	HSG., STARTER SIDE			1
27b	00207-1B	HSG., STARTER SIDE	1	1	
28	A-03720-B	ENG. HSG. DRIVE SIDE	1	1	1
29	81261	NUT, HEX	1	1	1



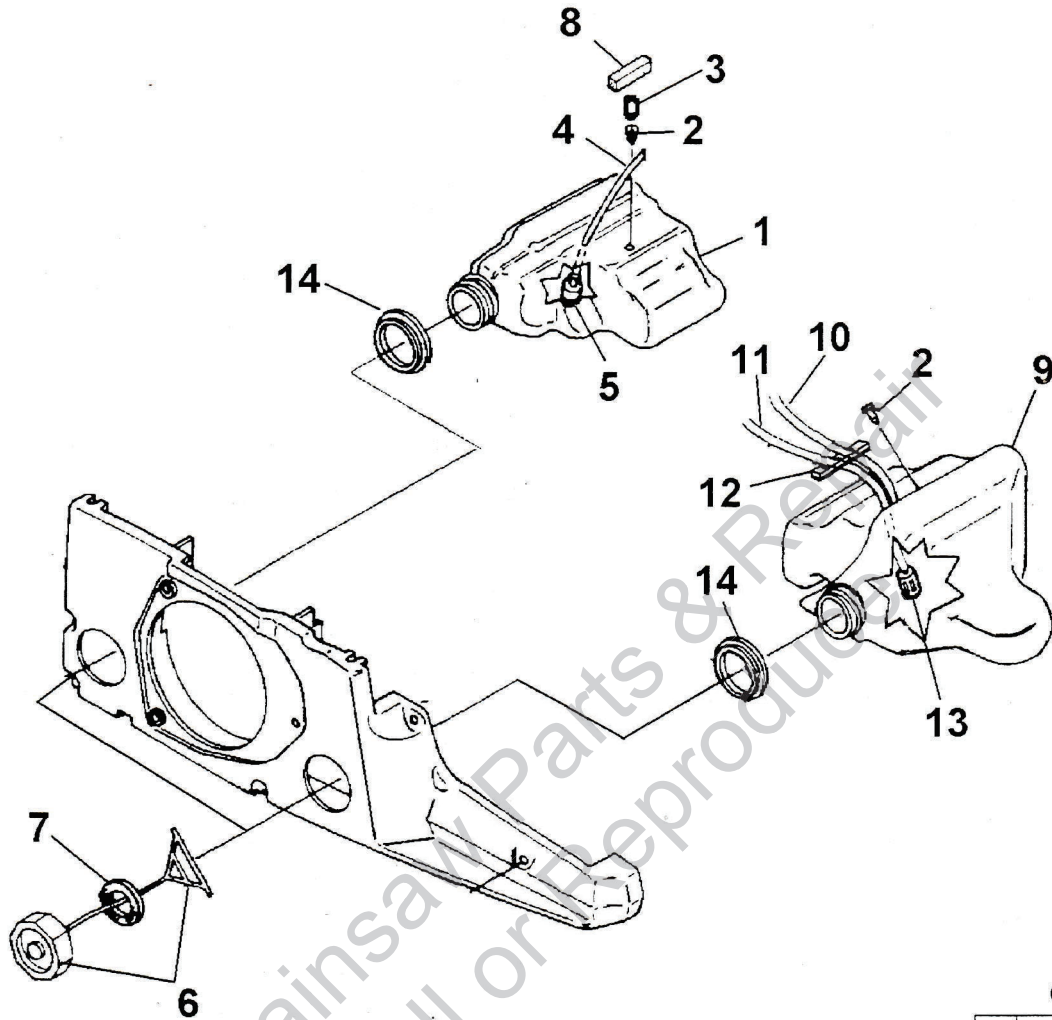
# CLUTCH & CHAIN BRAKE



NO.	PART NO.	DESCRIPTION	QTY.				
			CS4018 CS40	250	252	300	CS5020 CS50
1	A-06757	GUARD, HAND		1	1	1	
2	83203	WASHER, BELLVILLE		1	1	1	
3	98457	NUT - (M5)		1	1	1	
4	98422-A	PIN		1	1	1	
5	98461	SCREW, SHOULDER		1	1	1	
6	01820	RING, RETAINER		1	1	1	
7	98308	SPRING, COIL		1	1	1	
8	A-98317-A	BRAKE LATCH ASSY.		1	1	1	
9	A-00888-A	ADJUSTER, BRAKE		1	1	1	
10	00890-1A	SPRING, COMPRESSION		1	1	1	
11	98456	PIN		1	1	1	1
12	58833	WASHER, THRUST (INNER)				1	
13	A-02990	SPLINE & DRUM				1	
14	02999	BEARING, NEEDLE				1	
15	03039	RACE, INNER				1	
16	07341	SPROCKET, RIM (.325 X 7T)				1	
17	65027	WASHER, THRUST	1	1	1	1	1
18	81255	NUT, HEX LOCK (3/8"-24)	1	1	1	1	1
19	A-98298-B	BRAKE BAND ASSY		1	1	1	
20	06672	PIN, DOWEL		1	1	1	
21	81196	NUT, HEX	2	2	2	2	2
22	A-00226-A	COVER, DRIVE CASE	1	1	1	1	1
23	82513	SCREW, THREAD FORM (#6)		1	1	1	
24	01180	RETAINER, BRAKE BAND		1	1	1	
25	81255	NUT, HEX LOCK (3/8"-24)	1	1	1	1	1
26	65064	WASHER, THRUST	1	1	1	1	1
27	69423	RACE, INNER	1	1	1	1	1
28	64333	BEARING, NEEDLE	1	1	1	1	1
29	00996-A	SPROCKET & DRUM	1	1	1	1	1
30	65027	WASHER, THRUST	1	1	1	1	1
31	A-00995	CLUTCH ASSY	1	1	1	1	1
32	98453	SPRING, CLUTCH	1	1	1	1	1
33	02561-A	LABEL, KICKBACK		1	1	1	
34	02661	DECAL, SAFETY	1	1	1	1	1



# FUEL & OIL TANKS



NO.	PART NO.	DESCRIPTION	QTY.				
			CS4018 CS40	250	252	300	CS5020 CS50
1	•A-06636	OIL TANK ASSY.	1	1	1	1	1
2	03134	VALVE-Check	1	1	1	1	1
3	03585	PIN-Spirol	1	1	1	1	1
4	70310-29	TUBING- Rubber (7 1/4")	1	1	1	1	1
5	A-68593	FILTER- Oil	1	1	1	1	1
6	A-00904-A	CAP- Tank (w/Retainer)	1	1	1	1	1
7	02762-A	GASKET-Fuel Cap	1	1	1	1	1
8	69443	FILTER- Oil Tank Valve	1	1	1	1	1
9	•A-06637	FUEL TANK ASSY.	1	1	1	1	1
2	03134	VALVE- Check	1	1	1	1	1
6	A-00904-A	CAP- Tank (w/Retainer)	1	1	1	1	1
7	02762-A	GASKET-Fuel Cap	1	1	1	1	1
10	70310-21	TUBING-Rubber (5 1/4")	1	1	1	1	1
11	70310-36	TUBING- Rubber (9")	1	1	1	1	1
12	02952	FILTER- Foam	1	1	1	1	1
13	49422	FILTER- Fuel	1	1	1	1	1
14	00993	SAWDUST SEAL	2	2	2	2	2

Assembly  
 Ensembles  
 Bausätze  
 Complessi  
 Conjuntos

**ACCESSORIES  
ACCESSOIRES  
ZUBEHÖR  
ACCESSORI  
ACCESORIOS**

BUMPER SPIKE KIT _____ A-02177	COMPRESSION TESTER _____ 94194
Jeu de crampon d'amortisseur	Appareil d'essai de compression
Stoßstangen-Spikesatz	Verdichtungs-Prüfgerät
Kit della punta del paraurti	Tester a compressione
Juego de punta del parachoques	Medidor de compresion
RUBBER TUBING (10') _____ 70310-99	CARBURETOR REPAIR TOOL _____ 17789
Tubes en caoutchouc (3,05 m)	Outil de réparation de carburateur
Gummirohr (3,05 m)	Vergaser-Reparaturwerkzeug
Dotto di gomma (3,05 m)	Attrezzo di riparazione del carburatore
Tubo de caucho (3,05 m)	Herramienta de reparación del carburador
GREASE- Multi-Purpose (Sprocket _____ 18453	SHIM (.0125") _____ 24306
bearing-PT guide bar)	Cale (0,31mm)
Graisse universelle (Palier de pignon-	Distanzstück (0,31mm)
PT - lame-guide)	Zeppa (0,31mm)
Mehrzweck-Schmiermittel	Calce (0,31mm)
(Kettenradlager - PT -	DIGITAL TACHOMETER _____ 18416
Führungsschiene)	Compte-tours numérique
Grasso, multiuso (Cuscinetto della ruota	Digital-Drehzahlmesser
dentata - PT - barra di guida)	Tachometro digitale
Grasa de uso general (Cojinete de la	Tacometro digital
rueda dentada - PT - barra guía)	CLUTCH ASSEMBLY TOOL _____ 18767
STARTING ROPE (250 ft. Reel) _____ 98052-A	Outil de montage d'embrayage
Cordon de lanceur (75 m bobine)	Kupplungszusammenbau-Werkzeug
Starterseil (76 m Spule)	Attrezzo del gruppo frizione
Corda d'avviamento (bobina da 76 m)	Herramienta de armado del embrague
Cuerda de arranque (carrete de 76 m)	SEALANT SILICON _____ 24823
DIGITAL TACHOMETER _____ 18416	Matériau d'étanchéité au silicone
Compte-tours numérique	Silicon-Dichtungsmasse
Digital-Drehzahlmesser	Sigillo al silicone
Tachometro digitale	Sellador de silicio
Tacometro digital	WRENCH (combination) _____ A-24824
GUIDE BAR, (power tip) (16") _____ PT-16321-06	Clé combiné
Lame guide, (Extrémité motrice)	Schraubenschlüssel Kombination
(40,64cm)	Chiave combinata
Führungsstange, (Antriebsspitze)	Llave combinada
(40,64cm)	PULLER- Magneto Rotor _____ A-24747-A
Lama, (Punta di potenza) (40,64cm)	Extracteur, rotor magnito
Barra guía, (Punta de potencia)	Abziehwerkzeug-Magnetrotor
(40,64cm)	Rotore d'estrazione a magnete
GUIDE BAR (power tip) (18") _____ PT-18321-06	Extractor-rotor de magneto
Lame guide, (Extrémité motrice)	T-25 TORX DRIVE BIT _____ 24982-02
(45,72cm)	Foret torx T-25
Führungsstange, (Antriebsspitze)	T-25 Torx-Antriebsbit
(45,72cm)	Punta Torx Drive T-25
Lama, (Punta di potenza) (45,72cm)	Broca de empuje T-25 Torx
Barra guía, (Punta de potencia)	SHIM (0.015" AIR GAP) _____ 22486
(45,72cm)	Cale (écart de 0,38 mm)
GUIDE BAR, (power tip) (20") _____ PT-20321-06	Distanzscheibe (0,38 mm Luftspalt)
Lame guide, (Extrémité motrice)	Spessore (spinterometro 0,38 mm)
(50,80cm)	Suplemento (espacio de 0,38 mm)
Führungsstange, (Antriebsspitze)	TESTER (Spark Plug) _____ JA-31316-4
(50,80cm)	Appareil de contrôle (Bougie)
Lama, (Punta di potenza) (50,80cm)	Prüfgerät (Zündkerze)
Barra guía, (Punta de potencia) (50,80cm)	Tester (candela)
GUIDE BAR, (sprocket tip) (16") _____ SP-16321-H6	Probador de bujia
Lame guide, (Extrémité à pignon)	CLUTCH SPANNER _____ A-01182
(40,64cm)	Clé à embrayage
Führungsstange, (Kettenradspitze)	Kupplungs-Gabelschlüssel
(40,64cm)	Chiave della frizione
Lama, (Punta dentata) (40,64cm)	Llave para embrague
Barra guía, (Punta de rueda dentada)	CHAIN (32-MD50-67) (16") _____ D1-L7267-AH
(40,64cm)	Chaîne (32-MD50-67) (40,64cm)
GUIDE BAR, (sprocket tip) (20") _____ SP-20321-H6	Kette (32-MD50-67) (40,64cm)
(40,64cm)	Catena (32-MD50-67) (40,64cm)
Lame guide, (Extrémité à pignon)	Cadena (32-MD50-67) (40,64cm)
(50,80cm)	CHAIN (32-MD50-73) (18") _____ D1-L7273-AH
Führungsstange, (Kettenradspitze) (50,80cm)	Chaîne (32-MD50-73) (45,72cm)
Lama, (Punta dentata) (50,80cm)	Kette (32-MD50-73) (45,72cm)
Barra guía, (Punta de rueda dentada) (50,80cm)	Catena (32-MD50-73) (45,72cm)
SAFE•T•TIP® _____ A-70776-B	Cadena (32-MD50-73) (45,72cm)
SAFE•T•TIP®	CHAIN (32-MD50-79) (20") _____ D1-L7279-AH
SAFE•T•TIP®	Chaîne (32-MD50-79) (50,80cm)
SAFE•T•TIP®	Kette (32-MD50-79) (50,80cm)
SAFE•T•TIP®	Catena (32-MD50-79) (50,80cm)
SAFE•T•TIP®	Cadena (32-MD50-79) (50,80cm)



**NOTES**  
**NOTES**  
**NOTIZEN**  
**NOTAS**  
**NOTE**

Leon's Chainsaw Parts & Repair  
Do Not Sell or Reproduce



## **CUSTOMER ASSISTANCE**

FOR THE LOCATION OF YOUR NEAREST HOMELITE SERVICING DEALER  
IN THE UNITED STATES, PUERTO RICO, AND THE VIRGIN ISLANDS,

**CALL: 1-800-242-4672**

### **HEADQUARTERS**

Homelite, Inc.  
P.O. BOX 7047  
CHARLOTTE, N.C. 28241

### **OVERSEAS OFFICES**

#### **NETHERLANDS**

Homelite Netherlands B.V.  
A Deere & Company Affiliate  
Haverstraat 24  
2153 GB Nieuw Vennep  
The Netherlands

#### **FRANCE**

Homelite Atlantic SARL  
Groupe Deere & Co.  
BP 7011  
95050 Cergy Pontoise Cedex  
France

#### **AUSTRALIA**

Homelite Pacific Ltd.  
A Deere & Company Affiliate  
ACN 008 683 538  
94 Rushdale Street  
P.O. Box 555 MDA  
Australia

### **CANADIAN OFFICES**

Homelite Canada Limited  
Homelite Canada Limitée

A Deere & Company Affiliate/  
Une Filiale de Deere & Company  
1850-55e/th Avenue  
Lachine, Québec, Canada H8T 3J5  
1-800-363-5715

UNIT 212-214, 590 Ebury Place  
New Westminster, B.C. V3M 6K7  
1-800-667-3128

20-D Voyager Court South  
Etobicoke, Ontario M9W 5M7  
1-800-465-2249

# **Homelite**.inc.

A Subsidiary of Deere & Company