

Homelite®

- GB** PARTS LIST
- F** LISTE DE PIÈCES
- D** TEILELISTE
- I** ELENCO DEI PEZZI
- E** LISTA DE PIEZAS

CS40 ... UT10707, A

UT10708, A

CS50 ... UT10710- A, B

UT10711- A, B

250 ... UT10689- A

UT10724- B, C

300 ... UT10687- B, C

UT10700- A, B

UT10725, B, C

252 ... UT10732

UT10732- A

UT10733

UT10733- A

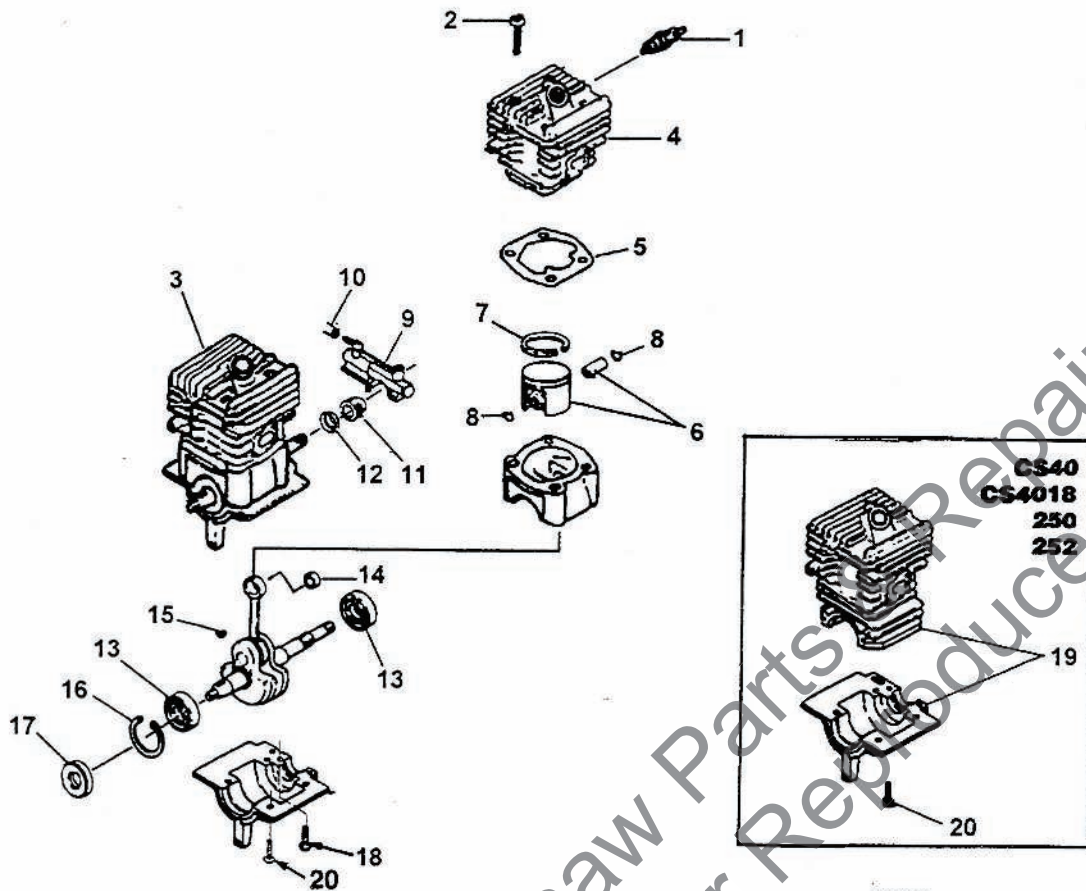
CS4018 ... UT10736- R

CS5020 ... UT10737- R

Printed in U.S.A.
Imprimé aux. E.-U.
Gedruckt in den U.S.A.
Stampato negli Stati Uniti
Impreso en EE. UU.

P/N 18952
REV. 1

ENGINE INTERNAL

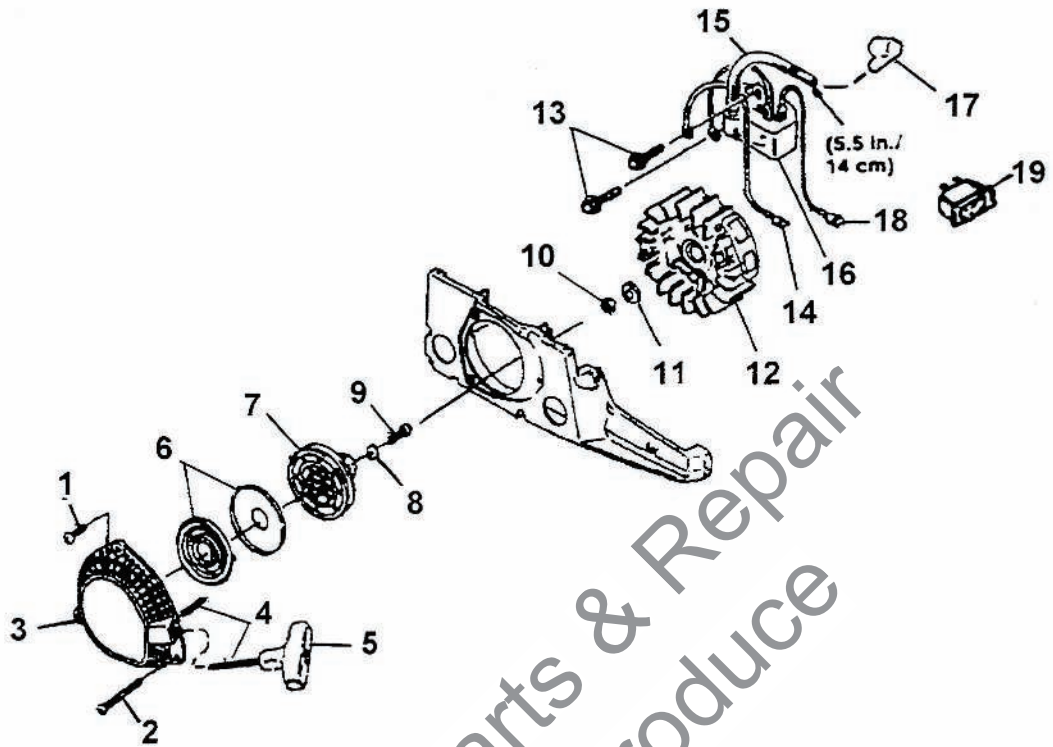


NO.	PART NO.	DESCRIPTION	QTY.						
			CS4018	CS40	250	252	300	CS50	CS5020
1	98261-S	SPARK PLUG (CJ6Y)	1	1	1	1	1	1	1
	98217-S	SPARK PLUG (RCJ6Y) (Intl.)							
2	82568	SCREW-PAN Hd. (10-24 x .800)					4	4	4
3	•A-04511	SHORT BLOCK					1	1	1
	•A-01544-D	SHORT BLOCK	1	1	1	1			
4	•A-04513	CYLINDER & GASKET					1	1	1
5	02527	GASKET, CYLINDER					1	1	1
6	•A-02579-C	PISTON & PIN	1	1	1	1			
7	01545-A	RING, PISTON	1	1	1	1			
8	64813	RING, WRIST PIN RETAIN.	2	2	2	2			
6	•A-03301	PISTON & PIN					1	1	1
7	02263-A	RING, PISTON					2	2	2
8	64813	RING, WRIST PIN RETAIN.					2	2	2
9	A-02802-A	OIL PUMP	1	1	1	1	1	1	1
10	02548	TUBING, OIL (TO GUIDE BAR)	1	1	1	1	1	1	1
11	00229	WORM GEAR, LEFT HAND	1	1	1	1	1	1	1
12	93858	SEAL, CRANKSHAFT	1	1	1	1	1	1	1
13	98797	BEARING, BALL	2	2	2	2	2	2	2
14	70277	BEARING, NEEDLE	1	1	1	1	1	1	1
15	75078	WOODRUFF KEY	1	1	1	1	1	1	1
16	28922-1	RETAINING RING	1	1	1	1	1	1	1
17	98197-A	SEAL, SHAFT	1	1	1	1	1	1	1
18	82146	SCREW, OIL PUMP (8-32 X 5/8")	2	2	2	2	2	2	2
19	•A-02577-C	CYLINDER & CRANKCASE	1	1	1	1			
20	80891	SCREW, Hex Hd. (12-24 X 7/8")	4	4	4	4			

Assembly
Ensembles
Bausätze
Compressi
Conjuntos

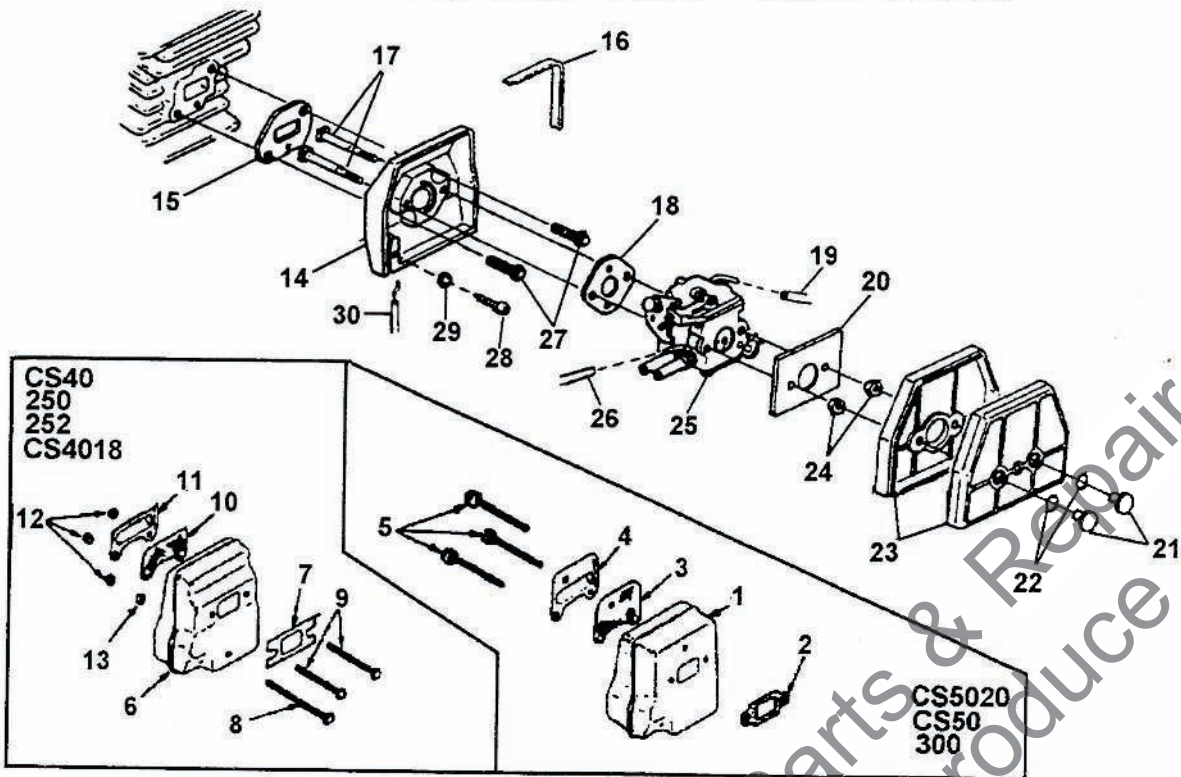


STARTER - IGNITION



NO.	PART NO.	DESCRIPTION	QTY.				
			CS4018 CS40	250	252	300	CS5020 CS50
1	82546	SCREW-Thread Form (8-16 x 5/8")	4	4	4	4	4
2	82544	SCREW-Thread Form (8-16 x 2")	1	1	1		
	82566	SCREW Thread Form (8-16 x 2 1/4)				1	1
3	A-04778-A	STARTER - COMPLETE	1	1	1	1	1
4	97899-01	ROPE, STARTER (46")	1	1	1	1	1
5	02264	GRIP, STARTER	1	1	1	1	1
6	A-97908	SPRING & CONTAINER	1	1	1	1	1
7	97768-B	PULLEY	1	1	1	1	1
8	94062	WASHER	1	1	1	1	1
9	82409	SCREW Plastite(10-14 x 5/8")	1	1	1	1	1
10	81124-A	NUT, JAM	1	1	1	1	1
11	83102	WASHER LOCK (3/8)	1	1	1	1	1
12	A-00994-B	ROTOR & STARTER PAWLS	1	1	1	1	1
13	88052	SCREW, Sems Hex Hd. (10-24 x 7/8")	2	2	2	2	2
14	A-01821-A	IGNITION GROUND WIRE	1	1	1	1	1
15	95098	SLEEVE, Insulating	1	1	1	1	1
16	A-01546	IGNITION MODULE	1	1	1	1	1
17	A-02597	SPARK PLUG BOOT KIT	1	1	1	1	1
18	A-01822	IGNITION WIRE	1	1	1	1	1
19	01802	SWITCH	1	1	1	1	1

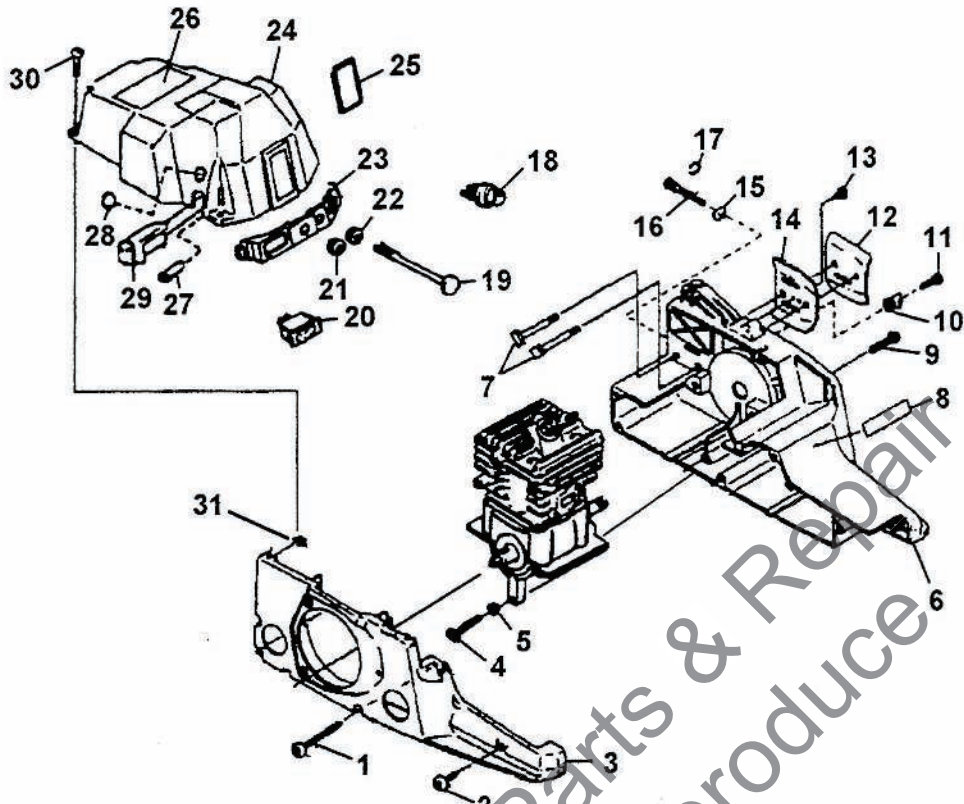
CARBURETOR - MUFFLER



NO.	PART NO.	DESCRIPTION	QTY.				
			CS4018 CS40	250	252	300	CS5020 CS50
1	•A-06652	MUFFLER - Complete				1	1
2	01729	GASKET- Muffler				1	1
3	01733	SCREEN- Spark Arrestor				1	1
4	01734-B	COVER- Exhaust				1	1
5	88058	SCREW-Sems (10-24 x 2 1/4)				3	3
6	•A-06631	MUFFLER - Complete	1	1	1		
7	01543-B	GASKET-Muffler	1	1	1		
8	02176	SCREW- Square Hd. (10-32 x 2 1/2)	1	1	1		
9	02509	SCREW- Square Hd. (10-32 x 2 1/4)	2	2	2		
10	01532	SCREEN-Spark Arrestor	1	1	1		
11	01531-A	COVER- Exhaust	1	1	1		
12	81206	NUT Locking (10-32)	3	3	3		
13	84009	WASHER- Flat (#12)	1	1	1		
14	•A-04512	SPACER- Carburetor				1	1
15	04508	GASKET- Carburetor Spacer				1	1
16	03141	FOAM- Adhesive				1	1
14	•A-02583	SPACER-Carburetor	1	1	1		
15	00202-B	GASKET- Carburetor Spacer	1	1	1		
16	01823	FOAM- Adhesive	1	1	1		
17	00905-A	SCREW- Carburetor Retainer	2	2	2	2	2
18	98339	GASKET-Carburetor	1	1	1	1	1
19	70310-36	TUBING-Rubber (9")	1	1	1	1	1
20	02695	RETAINER PLATE	1	1	1	1	1
21	01178	RETAINER NUT- Filter	2	2	2	2	2
22	02718	"O" RING	2	2	2	2	2
23	A-02582-A	AIR FILTER	1	1	1	1	1
24	81009	NUT- Hex (8-32)	2	2	2	2	2
25	A-03935	CARBURETOR (Walbro WT224)	1	1	1		
	A-03964	CARBURETOR (Zama C1Q-H27)				1	1
	A-04481	CARBURETOR (Walbro WT282)				1	1
26	70310-19	TUBING- Rubber (4 3/4")	1	1	1	1	1
27	82430	SCREW Mach. Hex Hd. (8-32 x 7/8")	2	2	2	2	2
28	82513	SCREW Thread Form (6-19 x 5/8")	1	1	1	1	1
29	84123	WASHER Flat (#6)	1	1	1	1	1
30	00997-D	CABLE Throttle	1	1	1	1	1

Assembly
Ensembles
Bausätze
Compressi
Conjuntos

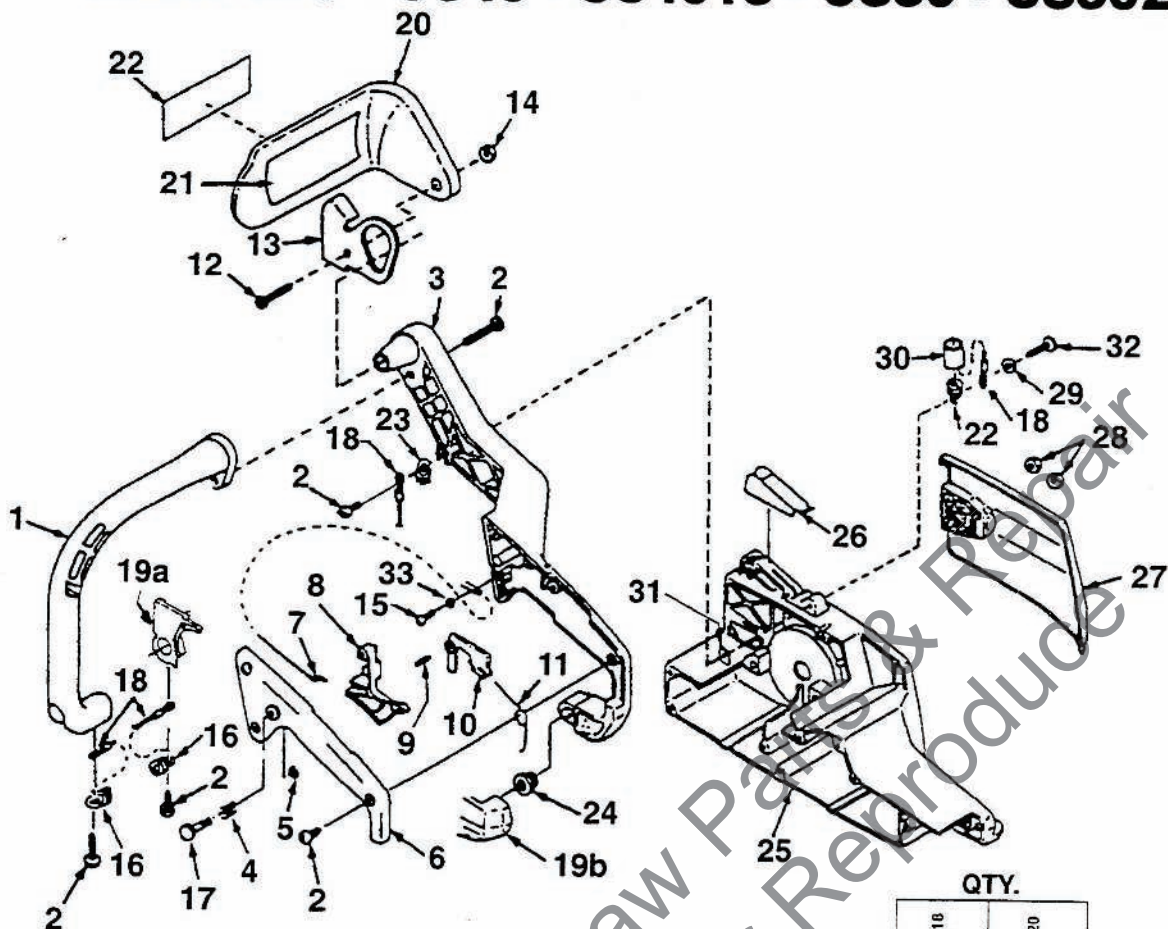
ENGINE HOUSING



Assembly
Ensembles
Bausätze
Compressi
Conjuntos

NO.	PART NO.	DESCRIPTION	QTY.				
			CS4018 CS40	250	252	300	CS5020 CS50
1	82545	SCREW- Thread Form (8-16 x 1 3/4")	3	3	3	3	3
2	82546	SCREW- Thread Form. (8-16 x 5/8")	4	4	4	4	4
3	00207-1B 01715-1A	HOUSING-Starter Side HOUSING-Starter Side	1	1	1		
4	82588	SCREW-Thread Form. (10-14 x 1 1/8")	1	1	1	1	1
5	83056	WASHER-Lock	1	1	1	1	1
6	A-03720-B	HOUSING- Drive Side	1	1	1	1	1
7	03132	BOLT- Guide Bar	2	2	2	2	2
8	01805-A	DECAL- Panel	1	1	1	1	1
9	80864	SCREW-Hex Hd. (12-24 x 1")	2	2	2	2	2
10	95212	STOP- Chain	1	1	1	1	1
11	82537	SCREW- Thread Form (10-14 x 7/8")	1	1	1	1	1
12	01170	PLATE- Guide Bar (Outer)	1	1	1	1	1
13	82513	SCREW- Thread Form. (6-19 x 1/2")	1	1	1	1	1
14	98278	PLATE- Guide Bar (Inner)	1	1	1	1	1
15	65112-1	PIN- Adjusting	1	1	1	1	1
16	03139	SCREW- Guide Bar Adjusting	1	1	1	1	1
17	69599	RING- Snap	1	1	1	1	1
18	01183	BULB- Primer	1	1	1	1	1
19	01527-A	ROD- Choke (UT10687-B)	1	1	1	1	1
20	01802	SWITCH- Ign.	1	1	1	1	1
21	69889	BOOT- Throttle Cable	1	1	1	1	1
22	64862	GROMMET- Choke	1	1	1	1	1
23	01169	PANEL- Control	1	1	1	1	1
24	A-04583	CYLINDER COVER					
25	01173-A	SCREEN- Air Inlet					1 1
26	02506	LABEL- Warning					1 1
24	A-02581-C	CYLINDER COVER	1	1	1		
25	01173-A	SCREEN- Air Inlet	1	1	1		
26	02506	LABEL- Warning	1	1	1		
27	01172	GROMMET- Carburetor	1	1	1		
28	01179-A	PLUG- Idle Speed	1	1	1		
29	04373	GROMMET- Carburetor	1	1	1	1	1
30	95792	SCREW- Round Hd. (10-24 x .710)	3	3	3	3	3
31	70810	NUT- Square (10-24)	3	3	3	3	3

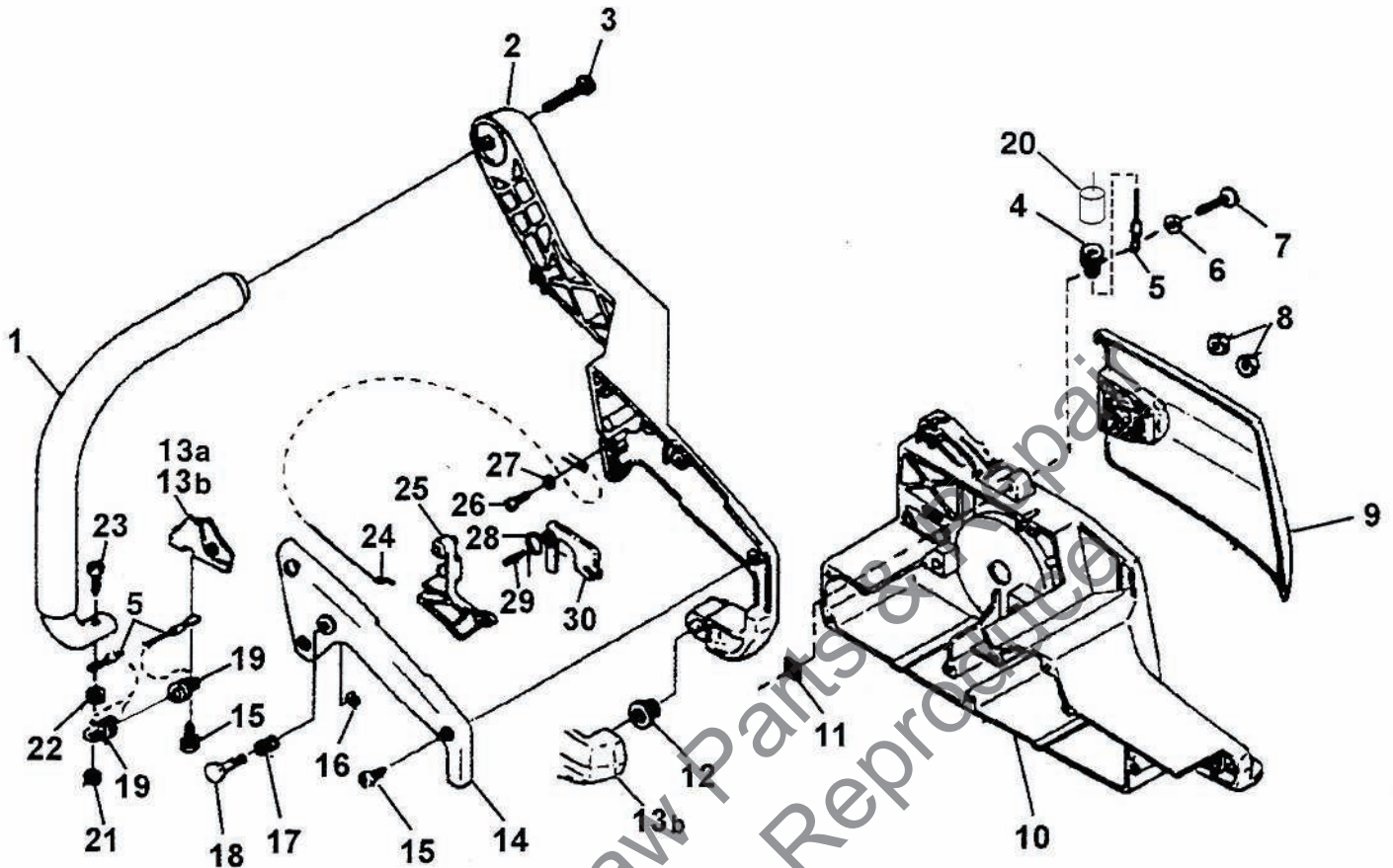
HANDLES - CS40 - CS4018 - CS50 - CS5020



NO.	PART NO.	DESCRIPTION	QTY.	
			CS4018 CS40	CS5020 CS50
*	A-06633	HANDLE KIT	1	1
1	A-01175	HANDLE BAR	1	1
2	82546	SCREW, Thread Form (8-16 X 5/8")	7	7
3	00209-1	HANDLE-Rear	1	1
4	95020	SPRING-Compression	1	1
5	58409	RING, Retaining	1	1
6	00210-C	COVER-Rear Handle	1	1
7	00997-D	CABLE-Throttle	1	1
8	A-03806-A	TRIGGER & SWIVEL	1	1
9	70253	PIN-Dowel	1	1
10	93385-A	LOCK-Trigger	1	1
11	02316	SPRING-Trottle	1	1
12	80402-A	SCREW-Hex Cap	1	1
13	00258	MOUNTING BRACKET-Handguard	1	1
14	81258	NUT-Flange Hex	1	1
15	82513	SCREW, Thread Form (#6-19 X 7/8")	1	1
16	01168	SPRING-Extension	1	1
17	95671	PIN-Throttle Lock	1	1
18	03583	RETAINER-Spring	2	2
19a	00207-1B	HOUSING-Starter Side	1	1
19b	01715-1A	HOUSING-Starter Side		1
20	A-95088-A	HANDGUARD	1	1
21	02661	DECAL-Kickback	1	1
22	00317-A	DECAL-Kickback	1	1
23	02813	SPRING-Extension	1	1
24	02508	ISOLATOR-Vibration	2	2
25	A-03720-A	ENGINE HOUSING-(Drive Side)	1	1
26	00234	COVER-Snap On	1	1
27	A-00226	DRIVE CASE COVER	1	1
28	81196	NUT-Hex (5/16"-18)	2	2
29	84008	WASHER-Flat (#10)	1	1
30	01813	SLEEVE-Spring	1	1
31	70810	NUT-Square (#10-24)	1	1
32	82562	SCREW-Pan Hd. (#10-24 X 7/8")	1	1
33	84123	WASHER-Flat	2	2

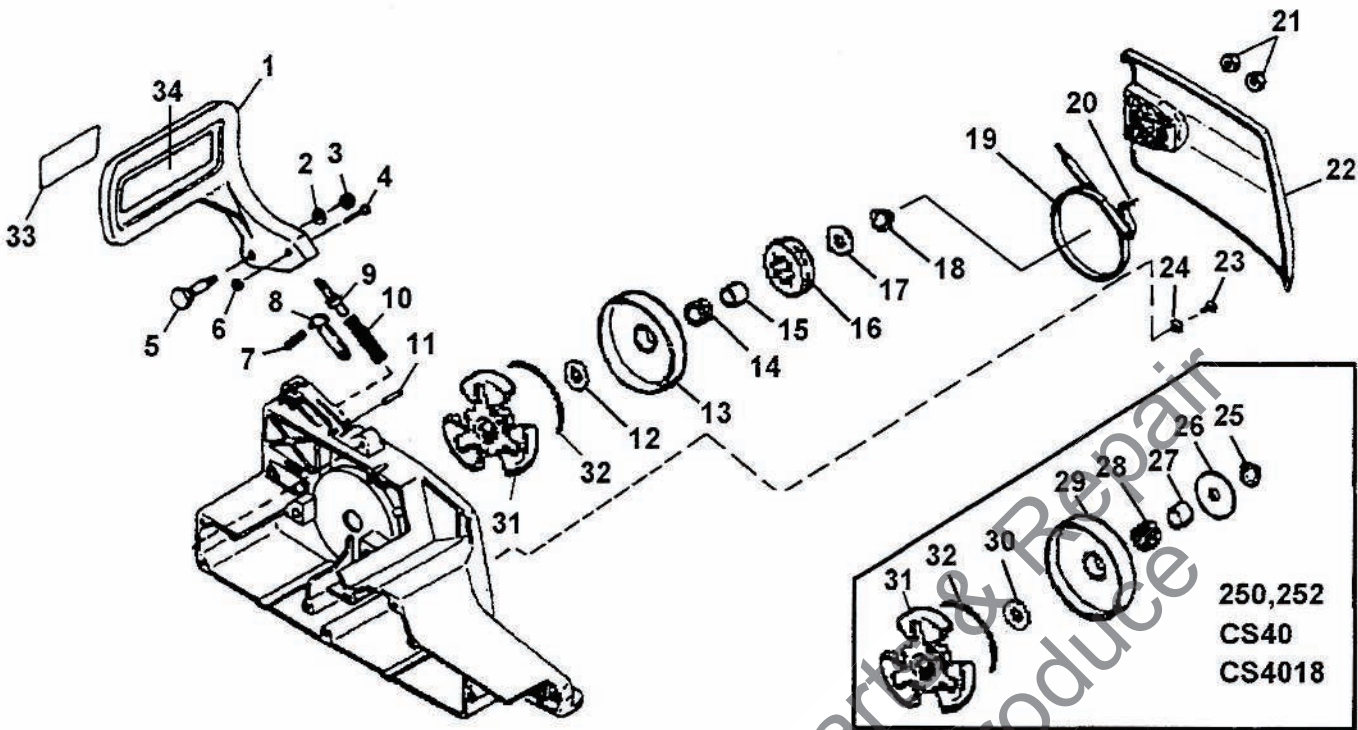
Assembly
Ensembles
Bausätze
Compressi
Conjuntos

HANDLES - 250 - 252 - 300



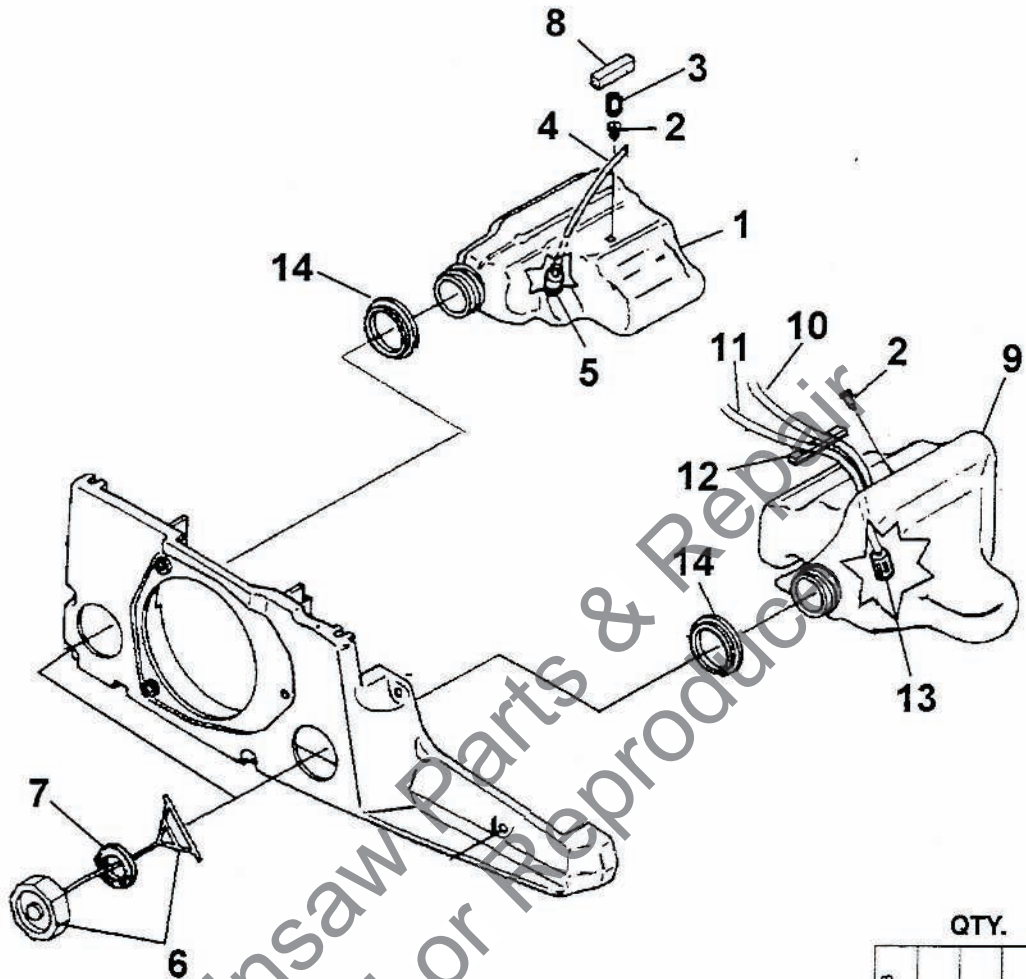
NO.	PART NO.	DESCRIPTION	QTY.		
			250	252	300
1	A-03496	HANDLE BAR	1	1	1
2	03945	REAR HANDLE	1	1	1
3	80891	SCREW, HEX Hd (12-24 X 7/8")	1	1	1
4	02813	SPRING, EXTENSION	1	1	1
5	03583	RETAINER, SPRING	2	2	2
6	84008	WASHER, FLAT (#12)	2	2	2
7	82562	SCREW, PAN Hd. (10-24 X 7/8")	1	1	1
8	81196	NUT, HEX	2	2	2
9	A-00226-A	COVER, DRIVE CASE	1	1	1
10	A-03720-B	ENG. HSG. DRIVE SIDE	1	1	1
11	70810	NUT, SQUARE (# 10-24)	1	1	1
12	02508	ISOLATOR, VIBRATION	2	2	2
13a	01715-1A	HSG., STARTER SIDE			1
13b	00207-1B	HSG., STARTER SIDE	1	1	
14	00210-C	COVER, REAR HANDLE	1	1	1
15	82546	SCREW, THREAD FORM (8-16 X 5/8")	5	5	5
16	58409	RING, RETAINING	1	1	1
17	95020	SPRING, COMPRESSION	1	1	1
18	95671	PIN, THROTTLE LOCK	1	1	1
19	01168	SPRING, EXTENSION	1	1	1
20	01813	SLEEVE, SPRING	2	2	2
21	81261	NUT, HEX	2	2	2
22	84008	WASHER, FLAT (#12)	2	2	2
23	96620	SCREW, TORX (10-24 X 1/2")	1	1	1
24	00997-D	CABLE, THROTTLE	1	1	1
25	A-03806-A	TRIGGER, THROTTLE	1	1	1
26	82513	SCREW, THREAD FORM (6-19 X 1/2")	1	1	1
27	84123	WASHER, FLAT	1	1	1
28	02316	SPRING, THROTTLE	1	1	1
29	70253	PIN, DOWEL	1	1	1
30	93385-A	LOCK, THROTTLE	1	1	1

CLUTCH & CHAIN BRAKE



NO.	PART NO.	DESCRIPTION	QTY.				
			CS4018 CS40	250	252	300	CS5020 CS50
1	A-06757	GUARD, HAND		1	1	1	
2	83203	WASHER, BELLVILLE		1	1	1	
3	98457	NUT - (M5)		1	1	1	
4	98422-A	PIN		1	1	1	
5	98461	SCREW, SHOULDER		1	1	1	
6	01820	RING, RETAINER		1	1	1	
7	98308	SPRING, COIL		1	1	1	
8	A-98317-A	BRAKE LATCH ASSY.		1	1	1	
9	A-00888-A	ADJUSTER, BRAKE		1	1	1	
10	00890	SPRING, COMPRESSION		1	1	1	
11	98456	PIN		1	1	1	
12	58833	WASHER, THRUST (INNER)					1
13	A-02990	SPLINE & DRUM					1
14	02999	BEARING, NEEDLE					1
15	03039	RACE, INNER					1
16	07341	SPROCKET, RIM (.325 X 7T)					1
17	65027	WASHER, THRUST	1	1	1	1	1
18	81255	NUT, HEX LOCK (3/8"-24)	1	1	1	1	1
19	A-98298-B	BRAKE BAND ASSY		1	1	1	
20	06672	PIN, DOWEL		1	1	1	
21	81196	NUT, HEX	2	2	2	2	2
22	A-00226-A	COVER, DRIVE CASE	1	1	1	1	1
23	82513	SCREW, THREAD FORM (#6)		1	1	1	
24	01180	RETAINER, BRAKE BAND		1	1	1	
25	81255	NUT, HEX LOCK (3.8"-24)	1	1	1	1	1
26	65064	WASHER, THRUST	1	1	1		1
27	69423	RACE, INNER	1	1	1		1
28	64333	BEARING, NEEDLE	1	1	1		1
29	00996-A	SPROCKET & DRUM	1	1	1		1
30	65027	WASHER, THRUST	1	1	1		1
31	A-00995	CLUTCH ASSY	1	1	1	1	1
32	98453	SPRING, CLUTCH	1	1	1	1	1
33	02561-A	LABEL, KICKBACK	1	1	1	1	
34	02661	DECAL, SAFETY	1	1	1	1	1

FUEL & OIL TANKS



NO.	PART NO.	DESCRIPTION	QTY.				
			CS401B CS40	250	252	300	CS5020 CS50
1	• A-06636	OIL TANK ASSY.	1	1	1	1	1
2	03134	VALVE-Check	1	1	1	1	1
3	03585	PIN-Spirol	1	1	1	1	1
4	70310-29	TUBING- Rubber (7 1/4")	1	1	1	1	1
5	A-68593	FILTER- Oil	1	1	1	1	1
6	A-00904-A	CAP- Tank (w/Retainer)	1	1	1	1	1
7	02762-A	GASKET-Fuel Cap	1	1	1	1	1
8	69443	FILTER- Oil Tank Valve	1	1	1	1	1
9	• A-06637	FUEL TANK ASSY.	1	1	1	1	1
2	03134	VALVE- Check	1	1	1	1	1
6	A-00904-A	CAP- Tank (w/Retainer)	1	1	1	1	1
7	02762-A	GASKET-Fuel Cap	1	1	1	1	1
10	70310-21	TUBING-Rubber (5 1/4")	1	1	1	1	1
11	70310-36	TUBING- Rubber (9")	1	1	1	1	1
12	02952	FILTER- Foam	1	1	1	1	1
13	49422	FILTER- Fuel	1	1	1	1	1
14	00993	SAWDUST SEAL	2	2	2	2	2

Assembly
 Ensembles
 Bausätze
 Complessi
 Conjuntos



**ACCESSORIES
ACCESSOIRES
ZUBEHÖR
ACCESSORI
ACCESORIOS**

BUMPER SPIKE KIT _____ A-02177	COMPRESSION TESTER _____ 94194
Jeu de crampon d'amortisseur	Appareil d'essai de compression
Stoßstangen-Spikesatz	Verdichtungs-Prüfgerät
Kit della punta del paraurti	Tester a compressione
Juego de punta del parachoques	Medidor de compresion
RUBBER TUBING (10') _____ 70310-99	CARBURETOR REPAIR TOOL _____ 17789
Tubes en caoutchouc (3,05 m)	Outil de réparation de carburateur
Gummirohr (3,05 m)	Vergaser-Reparaturwerkzeug
Dotto di gomma (3,05 m)	Attrezzo di riparazione del carburatore
Tubo de caucho (3,05 m)	Herramienta de reparacion del carburador
GREASE- Multi-Purpose (Sprocket bearing-PT guide bar) _____ 18453	SHIM (.0125") _____ 24306
Graisse universelle (Palier de pignon-PT - lame-guide)	Caie (0,31mm)
Mehrzweck-Schmiermittel (Kettenradlager - PT - Führungsschiene)	Distanzstück (0,31mm)
Grasso, multiuso (Cuscinetto della ruota dentata - PT - barra di guida)	Zappa (0,31mm)
Grasa de uso general (Cojinete de la rueda dentada - PT - barra guía)	Caice (0,31mm)
STARTING ROPE (250 ft. Reel) _____ 98052-A	DIGITAL TACHOMETER _____ 18416
Cordon de lanceur (75 m bobine)	Compte-tours numérique
Starterseil (76 m Spule)	Digital-Drehzahlmesser
Corda d'avviamento (bobina da 76 m)	Tachometro digitale
Cuerda de arranque (carrete de 76 m)	Tacómetro digital
DIGITAL TACHOMETER _____ 18416	CLUTCH ASSEMBLY TOOL _____ 18080
Compte-tours numérique	Outil de montage d'embrayage
Digital-Drehzahlmesser	Kupplungszusammenbau-Werkzeug
Tachometro digitale	Attrezzo del gruppo frizione
Tacómetro digital	Herramienta de armado del embrague
GUIDE BAR, (power tip) (16") _____ PT-16321-H6	SEALANT SILICON _____ 24823
Lame guide, (Extrémité motrice) (40,64cm)	Matériau d'étanchéité au silicone
Führungsstange, (Antriebsspitze) (40,64cm)	Silicon-Dichtungsmasse
Lama, (Punta di potenza) (40,64cm)	Sigillo al silicone
Barra guía, (Punta de potencia) (40,64cm)	Sellador de sílicio
GUIDE BAR (power tip) (18") _____ PT-18321-H6	WRENCH (combination) _____ A-24824
Lame guide, (Extrémité motrice) (45,72cm)	Cle combiné
Führungsstange, (Antriebsspitze) (45,72cm)	Schraubenschlüssel Kombination
Lama, (Punta di potenza) (45,72cm)	Chiave combinata
Barra guía, (Punta de potencia) (45,72cm)	Llave combinada
GUIDE BAR, (power tip) (20") _____ PT-20321-H6	PULLER- Magneto Rotor _____ A-24747-A
Lame guide, (Extrémité motrice) (50,80cm)	Extracteur, rotor magnito
Führungsstange, (Antriebsspitze) (50,80cm)	Abziehwerkzeug-Magnetrotor
Lama, (Punta di potenza) (50,80cm)	Rotore d'estrazione a magnete
Barra guía, (Punta de potencia) (50,80cm)	Extractor-rotor de magneto
GUIDE BAR, (sprocket tip) (16") _____ SP-16321-H6	T-25 TORX DRIVE BIT _____ 24982-02
Lame guide, (Extrémité à pignon) (40,64cm)	Foret torx T-25
Führungsstange, (Kettenradspitze) (40,64cm)	T-25 Torx-Antriebsbit
Lama, (Punta dentata) (40,64cm)	Punta Torx Drive T-25
Barra guía, (Punta de rueda dentada) (40,64cm)	Broca de empuje T-25 Torx
GUIDE BAR, (sprocket tip) (20") _____ SP-20321-H6	SHIM (0.015" AIR GAP) _____ 22486
Lame guide, (Extrémité à pignon) (50,80cm)	Caie (écart de 0,38 mm)
Führungsstange, (Kettenradspitze) (50,80cm)	Distanzscheibe (0,38 mm Luftspalt)
Lama, (Punta dentata) (50,80cm)	Spessore (spinterometro 0,38 mm)
Barra guía, (Punta de rueda dentada) (50,80cm)	Suplemento (espacio de 0,38 mm)
SAFE•T•TIP® _____ A-70776-B	TESTER (Spark Plug) _____ GP-20322-5
SAFE•T•TIP®	Appareil de contrôle (Bougie)
SAFE•T•TIP®	Prüfgerät (Zündkerze)
SAFE•T•TIP®	Tester (candela)
SAFE•T•TIP®	Probador de bujía
	CLUTCH SPANNER _____ A-01182
	Cle à embrayage
	Kupplungs-Gabelschlüssel
	Chiave della frizione
	Llave para embrague
	CHAIN (32-MD50-67) (16") _____ DI-L7267-AH
	Chaîne (32-MD50-67) (40,64cm)
	Kette (32-MD50-67) (40,64cm)
	Catena (32-MD50-67) (40,64cm)
	Cadena (32-MD50-67) (40,64cm)
	CHAIN (32-MD50-73) (18") _____ DI-L7273-AH
	Chaîne (32-MD50-73) (45,72cm)
	Kette (32-MD50-73) (45,72cm)
	Catena (32-MD50-73) (45,72cm)
	Cadena (32-MD50-73) (45,72cm)
	CHAIN (32-MD50-79) (20") _____ DI-L7279-AH
	Chaîne (32-MD50-79) (50,80cm)
	Kette (32-MD50-79) (50,80cm)
	Catena (32-MD50-79) (50,80cm)
	Cadena (32-MD50-79) (50,80cm)