

Homelite®

- GB PARTS LIST
- F LISTE DE PIÈCES
- D TEILELISTE
- I ELENCO DEI PEZZI
- E LISTA DE PIEZAS

CS40 ... UT10707- B

UT10708- B

CS50 ... UT10710- C

UT10711- C

250 ... UT10689- A

UT10724- D, E

300 ... UT10687- D, E

UT10700- C, D

UT10725- D, E

252 ... UT10732- B, C

UT10733- B, C

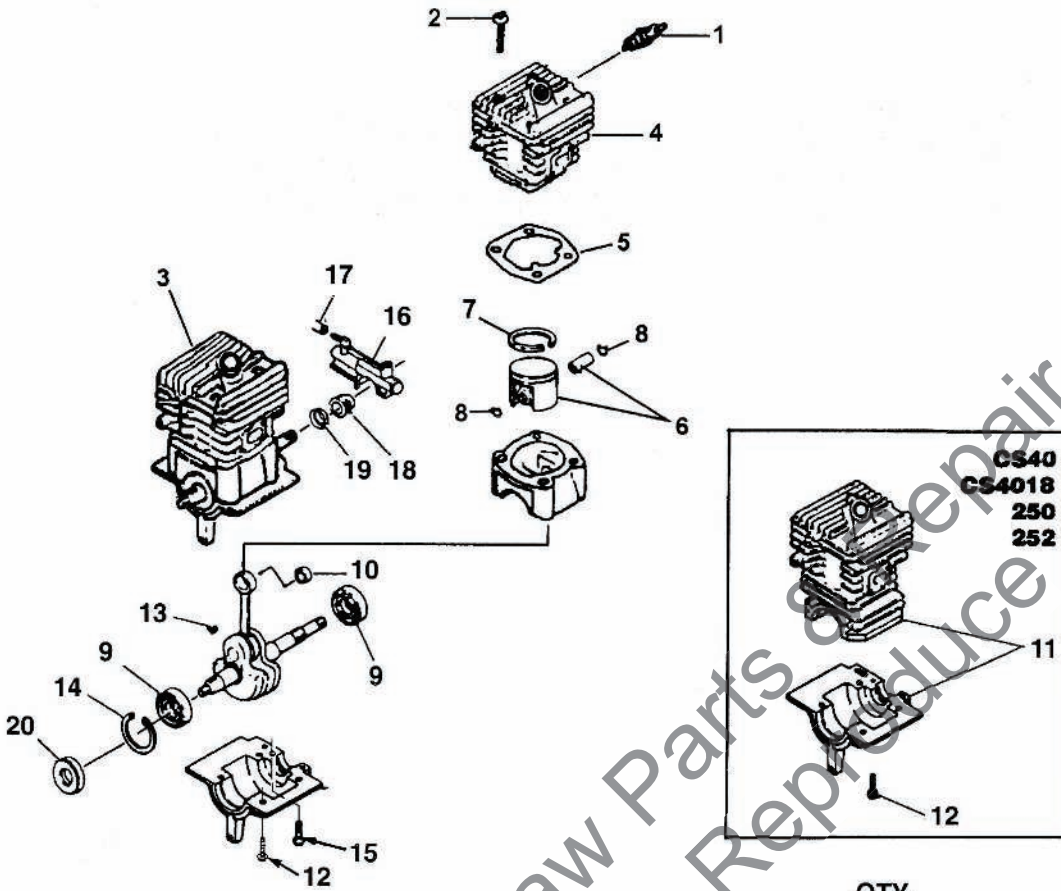
CS4018 ... UT10736- R

CS5020 ... UT10737- R

Printed in U.S.A.
Imprimé aux. E.-U.
Gedruckt in den U.S.A.
Stampato negli Stati Uniti
Impreso en EE. UU.

P/N 18952-B

ENGINE INTERNAL

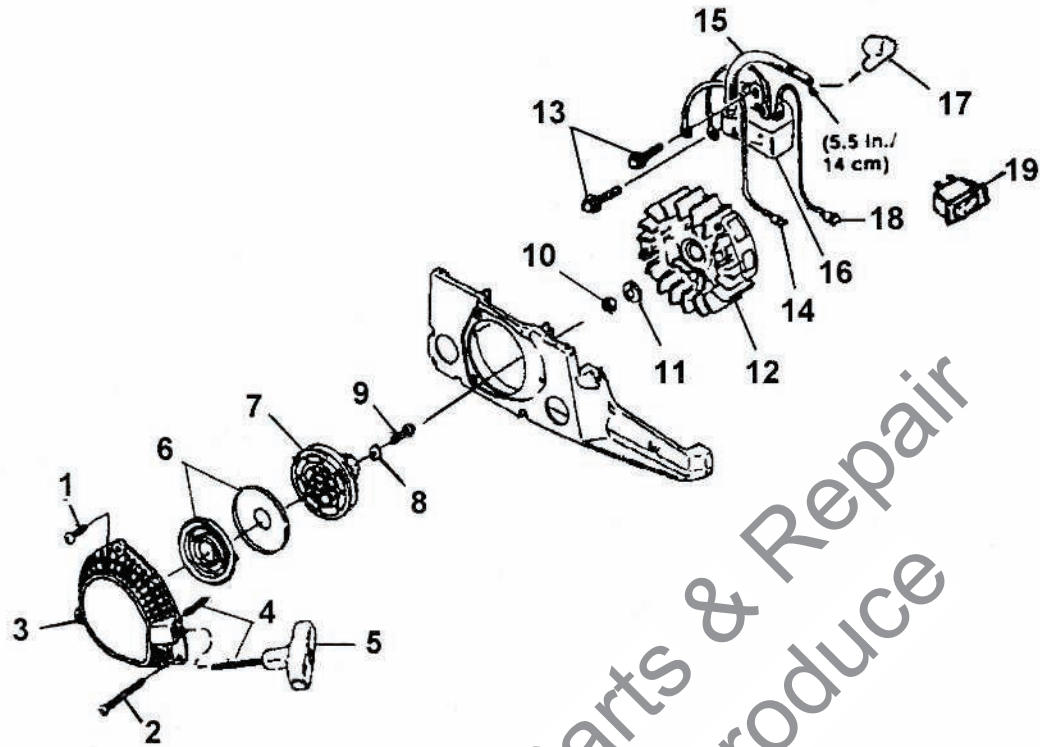


QTY.

NO.	PART NO.	DESCRIPTION	CS4018	CS40	250	252	300	CS50	CS5020
1	93561-S	SPARK PLUG (CJ6Y)	1	1	1	1	1	1	1
	98217-S	SPARK PLUG (FCJ6Y) (INTL.)							
2	82568	SCREW-PAN Hd.(10-24 x .800)					4	4	4
3	•A-04511	SHORT BLOCK					1	1	1
	A-01544-D	SHORT BLOCK	1	1	1	1			
4	•A-04513	CYLINDER & GASKET					1	1	1
5	02527	GASKET, CYLINDER					1	1	1
6	•A-02579-C	PISTON & PIN	1	1	1	1			
7	01545-A	RING, PISTON	1	1	1	1			
8	64813	RING, WRIST PIN RETAIN.	2	2	2	2			
6	•A-03301-A	PISTON & PIN					1	1	1
7	02263-A	RING, PISTON					2	2	2
8	64813	RING, WRIST PIN RETAIN.					2	2	2
9	98797	BEARING, BALL	2	2	2	2	2	2	2
10	70277	BEARING, NEEDLE	1	1	1	1	1	1	1
11	•A-02577-C	CYLINDER & CRANKCASE	1	1	1	1			
12	80891	SCREW, Hex Hd. (12-24 X 7/8")	4	4	4	4			
13	75078	KEY, WOODRUFF	1	1	1	1	1	1	1
14	28922-1	RETAINING RING	1	1	1	1	1	1	1
15	82146	SCREW, FIL. HD. (8-32 X 5/8")	2	2	2	2	2	2	2
16	A-02802-A	OIL PUMP	1	1	1	1	1	1	1
17	02548	TUBING, OIL (TO GUIDE BAR)	1	1	1	1	1	1	1
18	00229	WORM GEAR, LEFT HAND	1	1	1	1	1	1	1
19	93858	SEAL, CRANKSHAFT	1	1	1	1	1	1	1
20	98197-A	SEAL, SHAFT	1	1	1	1	1	1	1

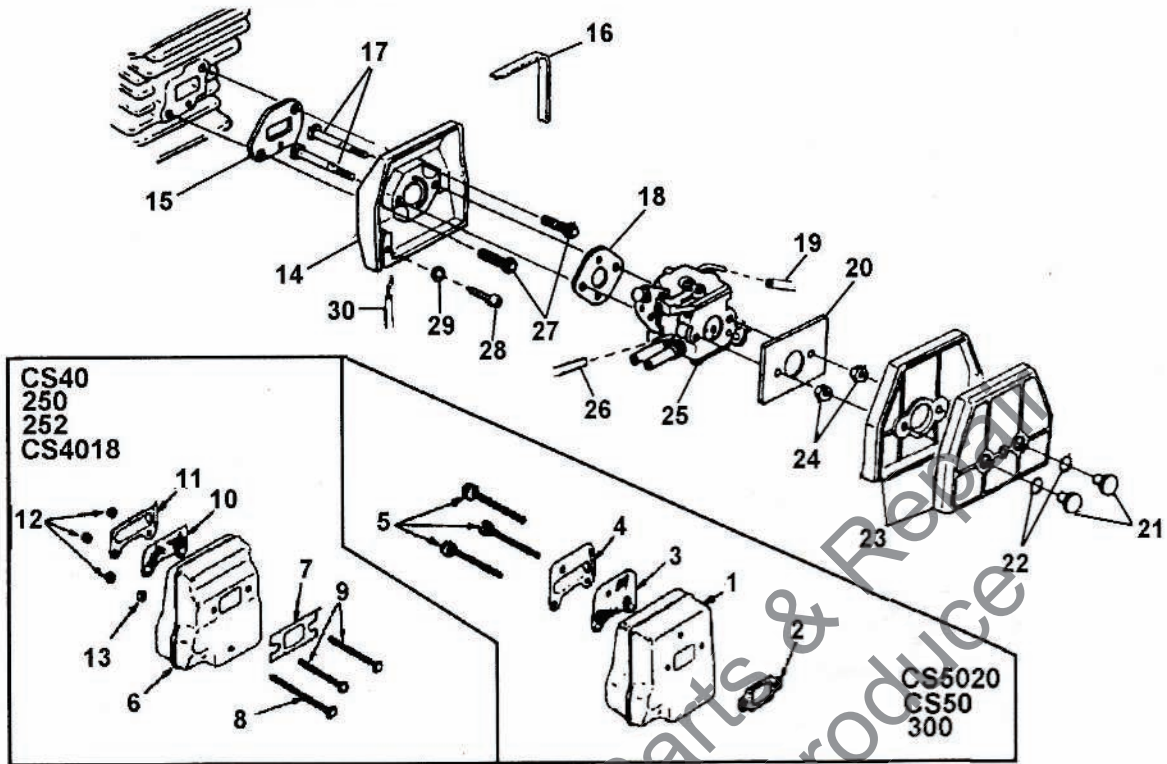
Assembly
Ensembles
Bausätze
Compressi
Conjuntos

STARTER - IGNITION



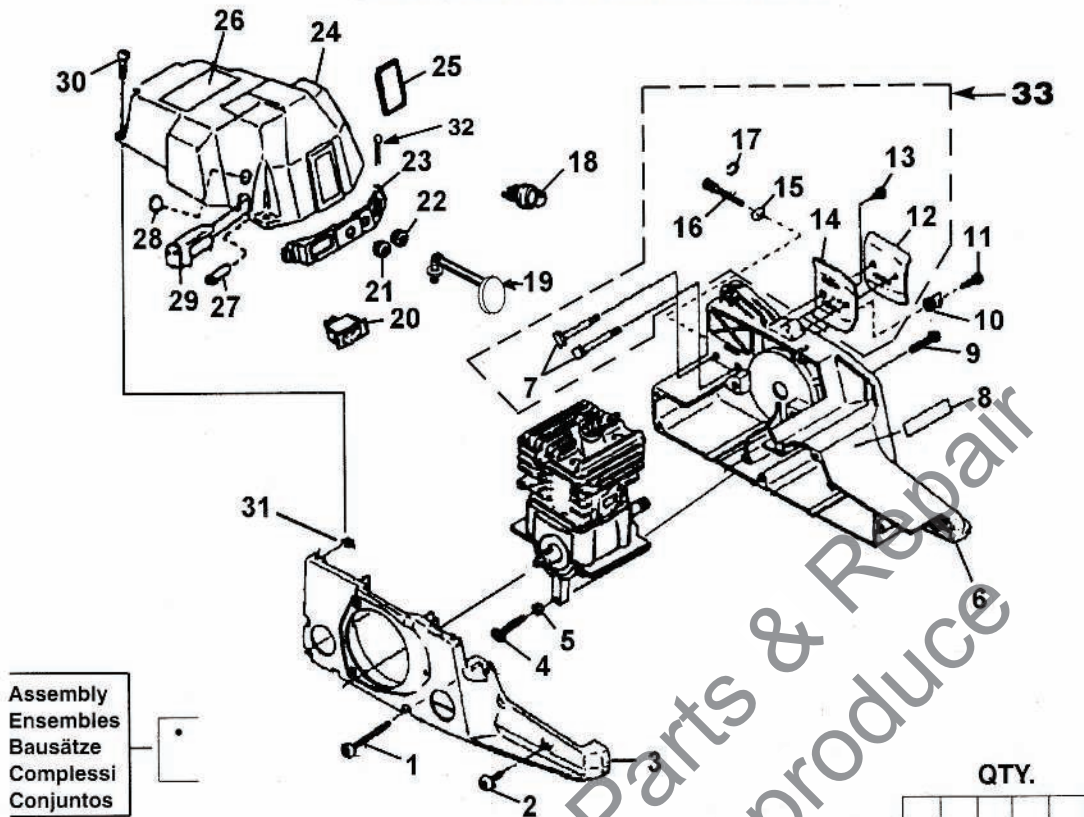
NO.	PART NO.	DESCRIPTION	QTY.				
			CS4018 CS40	250	252	300	CS5020 CS50
1	82546	SCREW-Thread Form (8-16 x 5/8")	4	4	4	4	4
2	82544	SCREW-Thread Form (8-16 x 2")	1	1	1		
	82566	SCREW Thread Form (8-16 x 2 1/4)				1	1
3	A-04778-A	STARTER - COMPLETE	1	1	1	1	1
4	97899-01	ROPE, STARTER (46")	1	1	1	1	1
5	02264	GRIP, STARTER	1	1	1	1	1
6	A-97908	SPRING & CONTAINER	1	1	1	1	1
7	97768-B	PULLEY	1	1	1	1	1
8	94062	WASHER	1	1	1	1	1
9	82409	SCREW Plastite(10-14 x 5/8")	1	1	1	1	1
10	81124-A	NUT, JAM (3/8" X 24)	1	1	1	1	1
11	83102	WASHER LOCK (3/8")	1	1	1	1	1
12	A-00994-B	ROTOR & STARTER PAWLS	1	1	1	1	1
13	88052	SCREW, Sems Hex Hd. (10-24 x 7/8")	2	2	2	2	2
14	A-01821-A	IGNITION GROUND WIRE	1	1	1	1	1
15	95098	SLEEVE, Insulating	1	1	1	1	1
16	A-01546	IGNITION MADULE	1	1	1	1	1
17	A-02597	SPARK PLUG BOOT KIT	1	1	1	1	1
18	A-01822	IGNITION WIRE	1	1	1	1	1
19	01802	SWITCH	1	1	1	1	1

CARBURETOR - MUFFLER



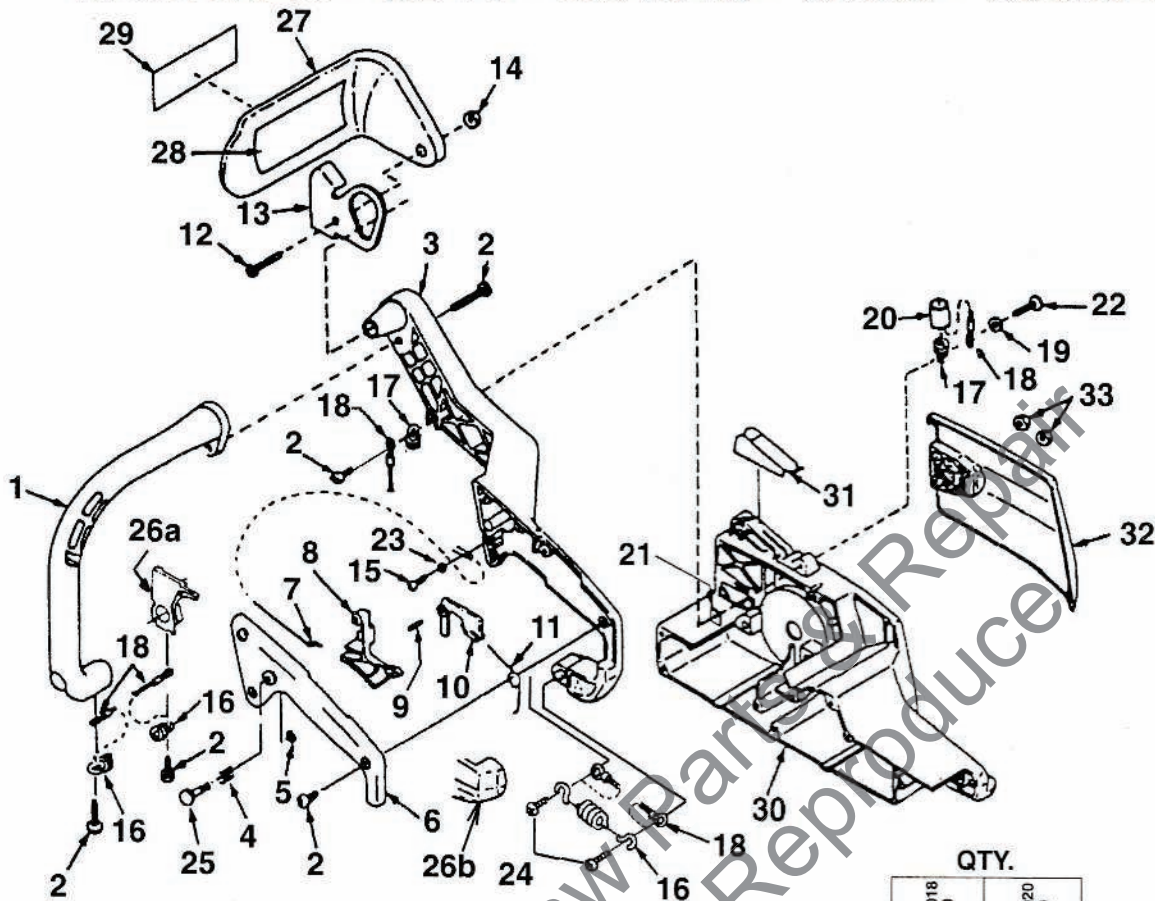
NO.	PART NO.	DESCRIPTION	QTY.				
			CS4018 CS40	250	252	300	CS5020 CS50
1	A-06652	MUFFLER - Complete				1	1
2	01729	GASKET- Muffler				1	1
3	01733	SCREEN- Spark Arrestor				1	1
4	01734-B	COVER- Exhaust				1	1
5	88058	SCREW-Sems (10-24)				3	3
6	A-06631	MUFFLER - Complete	1	1	1		
7	01543-B	GASKET-Muffler	1	1	1		
8	02176	SCREW- Square Hd. (10-32 x 2 1/2)	1	1	1		
9	02509	SCREW- Square Hd. (10-32 x 2 1/4)	2	2	2		
10	01532	SCREEN-Spark Arrestor	1	1	1		
11	01531-A	COVER- Exhaust	1	1	1		
12	81206	NUT Locking (10-32)	3	3	3		
13	84003	WASHER- Flat (#12)	1	1	1		
14	A-04512	SPACER- Carburetor				1	1
15	04508	GASKET- Carburetor Spacer				1	1
16	03141	FOAM- Adhesive				1	1
14	A-02583	SPACER-Carburetor	1	1	1		
15	00202-B	GASKET- Carburetor Spacer	1	1	1		
16	01823	FOAM- Adhesive	1	1	1		
17	00905-A	SCREW- Carburetor Retainer	2	2	2	2	2
18	98339	GASKET-Carburetor	1	1	1	1	1
19	70310-36	TUBING-Rubber (9")	1	1	1	1	1
20	02695	RETAINER PLATE	1	1	1	1	1
21	01178	RETAINER NUT- Filter	2	2	2	2	2
22	02718	"O" RING	2	2	2	2	2
23	A-02582-A	AIR FILTER	1	1	1	1	1
24	81009	NUT- Hex (8-32)	2	2	2	2	2
25	A-07216	CARBURETOR (Walbro WTA224)	1	1	1		
	A-07042	CARBURETOR (Zama C1Q-H27A)				1	1
	A-07218	CARBURETOR (Walbro WTA282)				1	1
26	70310-19	TUBING- Rubber (4 3/4")	1	1	1	1	1
27	82430	SCREW Mach. Hex Hd. (8-32 x 7/8")	2	2	2	2	2
28	82513	SCREW Thread Form (6-19 x 5/8")	1	1	1	1	1
29	84123	WASHER Flat (#6)	1	1	1	1	1
30	00997-D	CABLE Throttle	1	1	1	1	1

ENGINE HOUSING



NO.	PART NO.	DESCRIPTION	QTY.				
			CS4018 CS40	250	252	300	CS5020 CS50
1	82545	SCREW- Thread Form (8-16 x 1 3/4")	3	3	3	3	3
2	82546	SCREW- Thread Form. (8-16 x 5/8")	4	4	4	4	4
3	00207-1B	HOUSING-Starter Side	1	1	1		
	01715-1A	HOUSING-Starter Side				1	1
4	82588	SCREW-Thread Form. (10-14 x 1 1/8")	1	1	1	1	1
5	83056	WASHER-Lock	1	1	1	1	1
6	A-03720-B	HOUSING- Drive Side	1	1	1	1	1
7	03132	BOLT- Guide Bar	2	2	2	2	2
8	01805-A	DECAL- Panel	1	1	1	1	1
9	80864	SCREW-Hex Hd. (12-24 x 1")	2	2	2	2	2
10	95212	STOP- Chain	1	1	1	1	1
11	82537	SCREW- Thread Form (10-14 x 7/8")	1	1	1	1	1
12	01170	PLATE- Guide Bar (Outer)	1	1	1	1	1
13	82513	SCREW- Thread Form. (6-19 x 1/2")	1	1	1	1	1
14	98278	PLATE- Guide Bar (Inner)	1	1	1	1	1
15	65112-1	PIN- Adjusting	1	1	1	1	1
16	03139	SCREW- Guide Bar Adjusting	1	1	1	1	1
17	69599	RING- Snap	1	1	1	1	1
18	01183	BULB- Primer	1	1	1	1	1
19	06355	ROD- Choke	1	1	1	1	1
20	01802	SWITCH- Ign.	1	1	1	1	1
21	69889	BOOT- Throttle Cable	1	1	1	1	1
22	64862	GROMMET- Choke	1	1	1	1	1
23	01169	PANEL- Control	1	1	1	1	1
24	A-04583	CYLINDER COVER				1	1
25	01173-A	SCREEN- Air Inlet				1	1
26	02506	LABEL- Warning				1	1
24	A-02581-A	CYLINDER COVER	1	1	1		
25	01173-A	SCREEN- Air Inlet	1	1	1		
26	02506	LABEL- Warning	1	1	1		
27	01172	GROMMET- Carburetor	1	1	1		
28	01179-A	PLUG- Idle Speed	1	1	1		
29	04373	GROMMET- Carburetor	1	1	1	1	1
30	95792	SCREW- Round Hd. (10-24 x .710)	3	3	3	3	3
31	70810	NUT- Square (10-24)	3	3	3	3	3
32	86334	PIN-Cotter	1	1	1	1	1
33	A-06635	GUIDE BAR FASTENER KIT	1	1	1	1	1

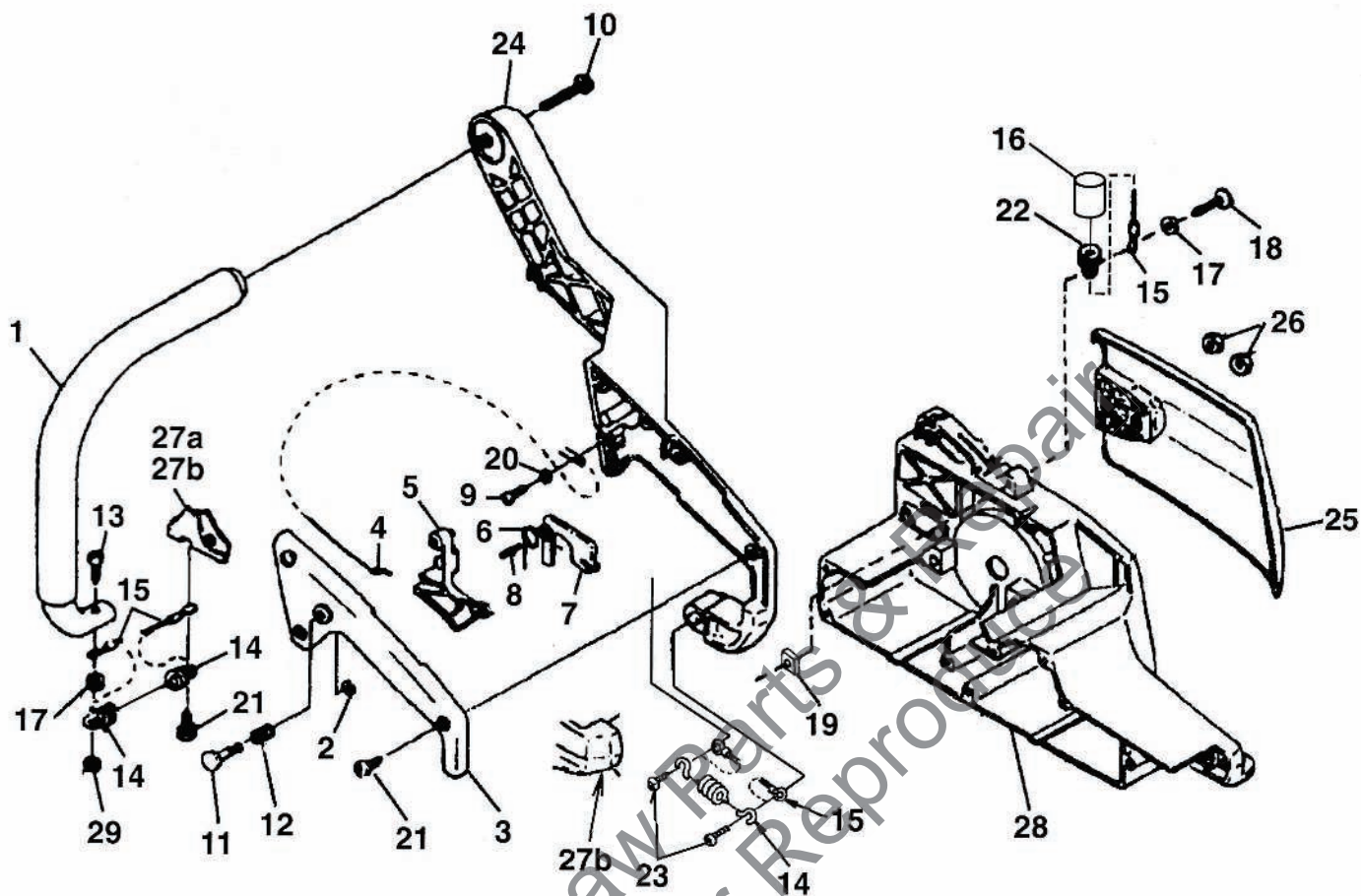
HANDLES - CS40 - CS4018 - CS50 - CS5020



NO.	PART NO.	DESCRIPTION	QTY.	
			CS4018 CS40	CS5020 CS50
*	•A-07217	HANDLE KIT	1	1
1	A-01175	HANDLE BAR	1	1
2	82546	SCREW, Thread Form (8-16 X 5/8")	7	7
3	07164	HANDLE-Rear	1	1
4	95020	SPRING-Compression	1	1
5	58409	RING, Retaining	1	1
6	00210-C	COVER-Rear Handle	1	1
7	00997-D	CABLE-Throttle	1	1
8	A-03806-A	TRIGGER & SWIVEL	1	1
9	70253	PIN-Dowel	1	1
10	93385-A	LOCK-Trigger	1	1
11	02316	SPRING-Trottle	1	1
12	80402-A	SCREW-Hex Cap	1	1
13	00258	MOUNTING BRACKET-Handguard	1	1
14	81258	NUT-Flange Hex	1	1
15	82513	SCREW, Thread Form (#6-19 X 7/8")	2	2
	•A-07214	ISOLATOR KIT	1	1
16	01168	SPRING-Extension	2	2
17	02813	SPRING-Extension	1	1
18	03583	RETAINER-Spring	3	3
19	84008	WASHER-Flat (#10)	1	1
20	01813	SLEEVE-Spring	1	1
21	70810	NUT-Square (#10-24)	1	1
22	82562	SCREW-Pan Hd. (#10-24 X 7/8")	1	1
23	84123	WASHER-Flat	2	2
24	82543	SCREW-Thread Form (8-16 X 1/2)	2	2
25	95671	PIN-Throttle Lock	1	1
26a	00207-1B	HOUSING-Starter Side	1	
26b	01715-A	HOUSING-Starter Side		1
27	•A-95088-A	HANDGUARD	1	1
28	02661	DECAL-Kickback	1	1
29	00317-A	DECAL-Kickback	1	1
30	A-03720-B	ENGINE HOUSING-(Drive Side)	1	1
31	00234	COVER-Snap On	1	1
32	A-00226	DRIVE CASE COVER	1	1
33	81196	NUT-Hex (5/16"-18)	2	2

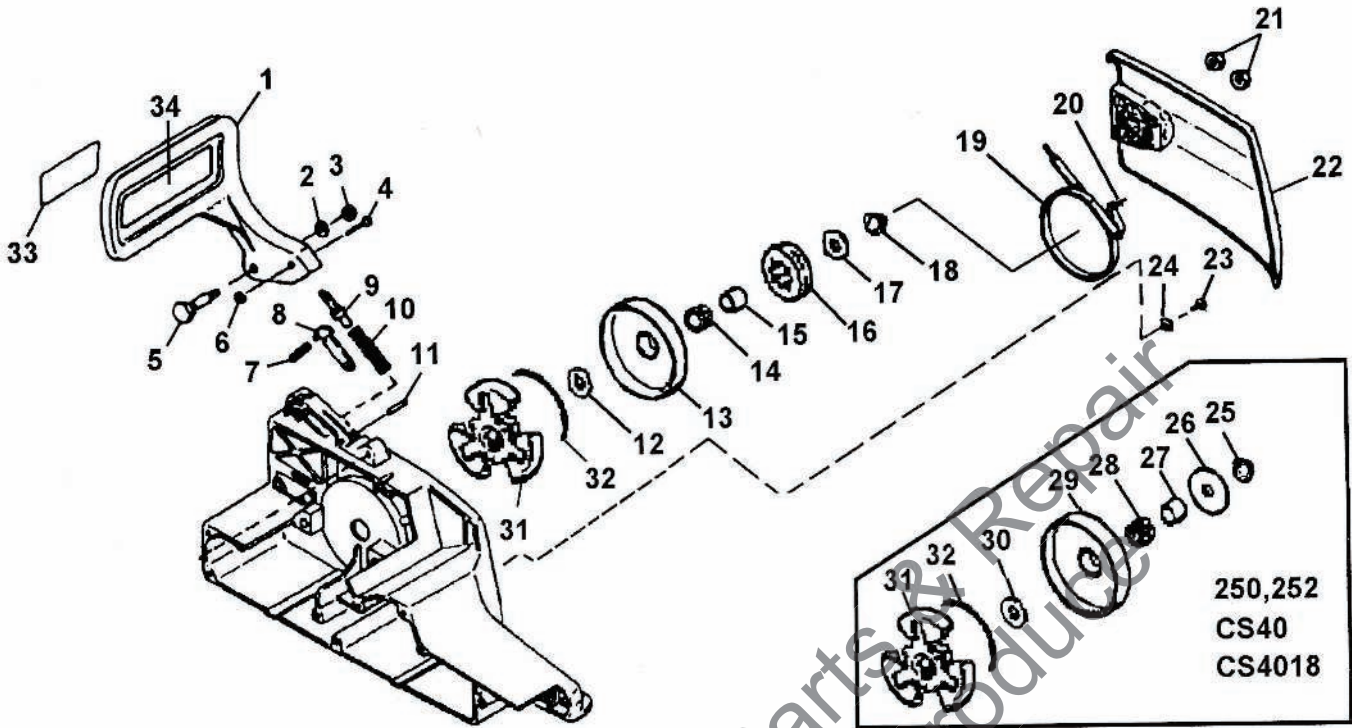
Assembly
Ensembles
Bausätze
Compressi
Conjuntos

HANDLES - 250 - 252 - 300



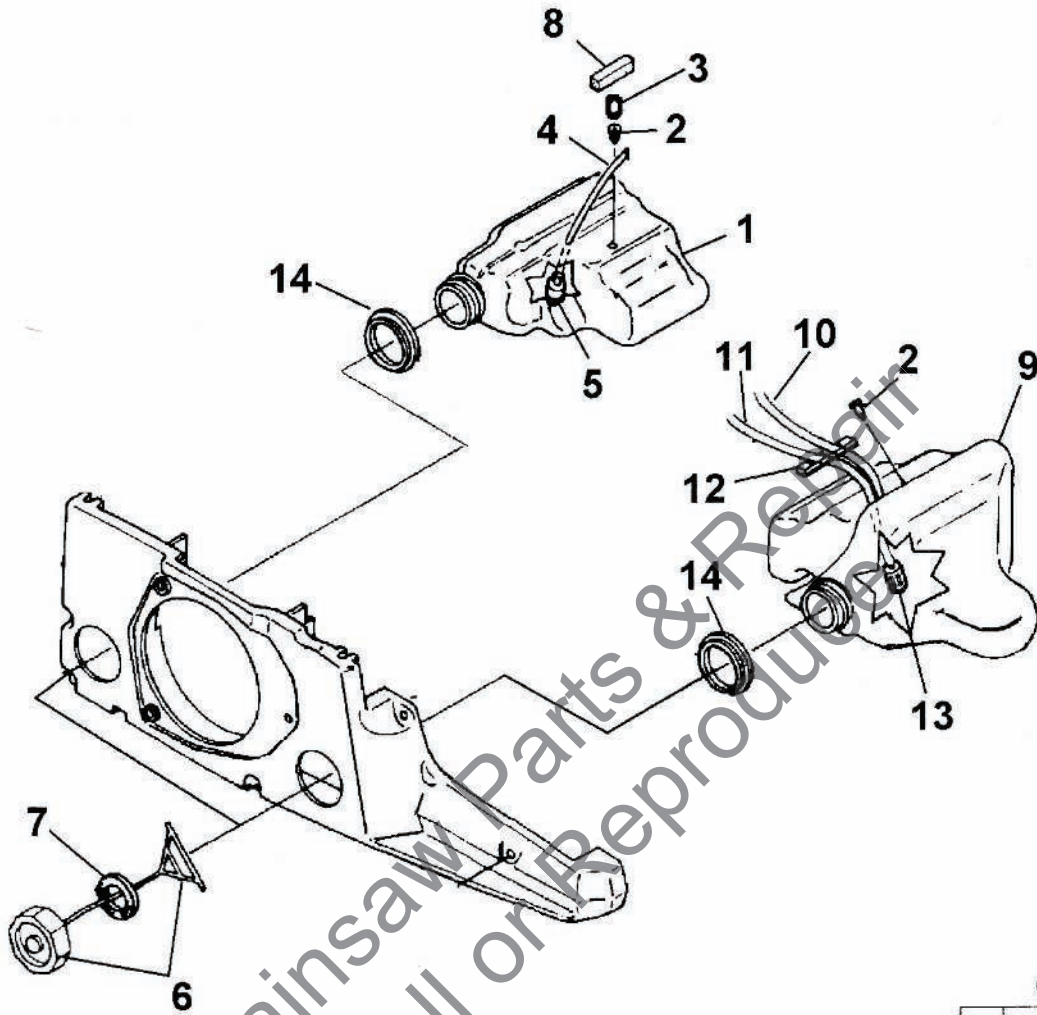
NO.	PART NO.	DESCRIPTION	QTY.		
			250	252	300
	•A-07215	HANDLE KIT	1	1	1
1	A-03496	HANDLE BAR	1	1	1
2	58409	RING, RETAINING	1	1	1
3	00210-C	COVER, REAR HANDLE	1	1	1
4	00997-D	CABLE, THROTTLE	1	1	1
5	A-03896-A	TRIGGER, THROTTLE	1	1	1
6	02316	SPRING, THROTTLE	1	1	1
7	93385-A	LOCK, THROTTLE	1	1	1
8	70253	PIN, DOWEL	1	1	1
9	82513	SCREW, THREAD FORM (6-19 X 1/2")	1	1	1
10	80891	SCREW, HEX Hd (12-24 X 7/8")	1	1	1
11	95671	PIN, THROTTLE LOCK	1	1	1
12	95020	SPRING, COMPRESSION	1	1	1
13	96620	SCREW, TORX (10-24 X 1/2")	1	1	1
	•A-07214	ISOLATOR KIT	1	1	1
14	01168	SPRING, EXTENSION	2	2	2
15	03583	RETAINER, SPRING	3	3	3
16	01813	SLEEVE, SPRING	2	2	2
17	84008	WASHER, FLAT (#12)	2	2	2
18	82562	SCREW, PAN Hd. (10-24 X 7/8")	1	1	1
19	70810	NUT, SQUARE (# 10-24)	1	1	1
20	84123	WASHER, FLAT	1	1	1
21	82546	SCREW, THREAD FORM (8-16 X 5/8")	5	5	5
22	02813	SPRING, EXTENSION	1	1	1
23	82543	SCREW, THREAD FORM (8-16 X 1/2")	2	2	2
24	07163	HANDLE, REAR	1	1	1
25	A-00226-A	COVER, DRIVE CASE	1	1	1
26	81196	NUT, HEX	2	2	2
27a	01715-1A	HSG., STARTER SIDE			1
27b	00207-1B	HSG., STARTER SIDE	1	1	
28	A-03720-B	ENG. HSG. DRIVE SIDE	1	1	1
29	81261	NUT, HEX	1	1	1

CLUTCH & CHAIN BRAKE



NO.	PART NO.	DESCRIPTION	QTY.				
			CS4018 CS40	250	252	300	CS5020 CS50
1	A-06757	GUARD, HAND		1	1	1	
2	83203	WASHER, BELLVILLE		1	1	1	
3	98457	NUT - (M5)		1	1	1	
4	98422-A	PIN		1	1	1	
5	98461	SCREW, SHOULDER		1	1	1	
6	01820	RING, RETAINER		1	1	1	
7	98308	SPRING, COIL		1	1	1	
8	A-98317-A	BRAKE LATCH ASSY.		1	1	1	
9	A-00888-A	ADJUSTER, BRAKE		1	1	1	
10	00890	SPRING, COMPRESSION		1	1	1	
11	98456	PIN		1	1	1	
12	58833	WASHER, THRUST (INNER)					1
13	A-02990	SPLINE & DRUM					1
14	02999	BEARING, NEEDLE					1
15	03039	RACE, INNER					1
16	07341	SPROCKET, RIM (.325 X 7T)					1
17	65027	WASHER, THRUST	1	1	1	1	1
18	81255	NUT, HEX LOCK (3/8"-24)	1	1	1	1	1
19	A-98298-B	BRAKE BAND ASSY		1	1	1	
20	06672	PIN, DOWEL		1	1	1	
21	81196	NUT, HEX	2	2	2	2	2
22	A-00226-A	COVER, DRIVE CASE	1	1	1	1	1
23	82513	SCREW, THREAD FORM (#6)		1	1	1	
24	01180	RETAINER, BRAKE BAND		1	1	1	
25	81255	NUT, HEX LOCK (3/8"-24)	1	1	1	1	1
26	65064	WASHER, THRUST	1	1	1	1	1
27	69423	RACE, INNER	1	1	1	1	1
28	64333	BEARING, NEEDLE	1	1	1	1	1
29	00996-A	SPROCKET & DRUM	1	1	1	1	1
30	65027	WASHER, THRUST	1	1	1	1	1
31	A-00995	CLUTCH ASSY	1	1	1	1	1
32	98453	SPRING, CLUTCH	1	1	1	1	1
33	02561-A	LABEL, KICKBACK		1	1	1	
34	02661	DECAL, SAFETY	1	1	1	1	1

FUEL & OIL TANKS



NO.	PART NO.	DESCRIPTION	QTY.				
			CS4018 CS40	250	252	300	CS5020 CS50
1	• A-06636	OIL TANK ASSY.	1	1	1	1	1
2	03134	VALVE-Check	1	1	1	1	1
3	03585	PIN-Spirol	1	1	1	1	1
4	70310-29	TUBING- Rubber (7 1/4")	1	1	1	1	1
5	A-68593	FILTER- Oil	1	1	1	1	1
6	A-00904-A	CAP- Tank (w/Retainer)	1	1	1	1	1
7	02762-A	GASKET-Fuel Cap	1	1	1	1	1
8	69443	FILTER- Oil Tank Valve	1	1	1	1	1
9	• A-06637	FUEL TANK ASSY.	1	1	1	1	1
2	03134	VALVE- Check	1	1	1	1	1
6	A-00904-A	CAP- Tank (w/Retainer)	1	1	1	1	1
7	02762-A	GASKET-Fuel Cap	1	1	1	1	1
10	70310-21	TUBING-Rubber (5 1/4")	1	1	1	1	1
11	70310-36	TUBING- Rubber (9")	1	1	1	1	1
12	02952	FILTER- Foam	1	1	1	1	1
13	49422	FILTER- Fuel	1	1	1	1	1
14	00993	SAWDUST SEAL	2	2	2	2	2

Assembly
 Ensembles
 Bausätze
 Complessi
 Conjuntos

**ACCESSORIES
ACCESSOIRES
ZUBEHÖR
ACCESSORI
ACCESORIOS**

BUMPER SPIKE KIT _____ A-02177
 Jeu de crampon d'amortisseur
 Stoßstangen-Spikesatz
 Kit della punta del paraurti
 Juego de punta del parachoques

RUBBER TUBING (10') _____ 70310-99
 Tubes en caoutchouc (3,05 m)
 Gummirohr (3,05 m)
 Dotto di gomma (3,05 m)
 Tubo de caucho (3,05 m)

GREASE- Multi-Purpose (Sprocket bearing-PT guide bar) _____ 18453
 Graisse universelle (Pallier de pignon-PT - lame-guide)
 Mehrzweck-Schmiermittel (Kettenradlager - PT - Führungsschiene)
 Grasso, multiuso (Cuscinetto della ruota dentata - PT - barra di guida)
 Grasa de uso general (Cojinete de la rueda dentada - PT - barra guía)

STARTING ROPE (250 ft. Reel) _____ 98052-A
 Cordon de lanceur (75 m bobine)
 Starterseil (76 m Spule)
 Corda d'avviamento (bobina da 76 m)
 Cuerda de arranque (carrete de 76 m)

DIGITAL TACHOMETER _____ 18416
 Compte-tours numérique
 Digital-Drehzahlmesser
 Tachometro digitale
 Tacometro digital

GUIDE BAR, (power tip) (16") _____ PT-16321-H6
 Lame guide, (Extrémité motrice) (40,64cm)
 Führungsstange, (Antriebsspitze) (40,64cm)
 Lama, (Punta di potenza) (40,64cm)
 Barra guía, (Punta de potencia) (40,64cm)

GUIDE BAR (power tip) (18") _____ PT-18321-H6
 Lame guide, (Extrémité motrice) (45,72cm)
 Führungsstange, (Antriebsspitze) (45,72cm)
 Lama, (Punta di potenza) (45,72cm)
 Barra guía, (Punta de potencia) (45,72cm)

GUIDE BAR, (power tip) (20") _____ PT-20321-H6
 Lame guide, (Extrémité motrice) (50,80cm)
 Führungsstange, (Antriebsspitze) (50,80cm)
 Lama, (Punta di potenza) (50,80cm)
 Barra guía, (Punta de potencia) (50,80cm)

GUIDE BAR, (sprocket tip) (16") _____ SP-16321-H6
 Lame guide, (Extrémité à pignon) (40,64cm)
 Führungsstange, (Kettenradspitze) (40,64cm)
 Lama, (Punta dentata) (40,64cm)
 Barra guía, (Punta de rueda dentada) (40,64cm)

GUIDE BAR, (sprocket tip) (20") _____ SP-20321-H6
 Lame guide, (Extrémité à pignon) (50,80cm)
 Führungsstange, (Kettenradspitze) (50,80cm)
 Lama, (Punta dentata) (50,80cm)
 Barra guía, (Punta de rueda dentada) (50,80cm)

SAFE•T•TIP® _____ A-70776-B
 SAFE•T•TIP®
 SAFE•T•TIP®
 SAFE•T•TIP®
 SAFE•T•TIP®

COMPRESSION TESTER _____ 94194
 Appareil d'essai de compression
 Verdichtungs-Prüfgerät
 Tester a compressione
 Medidor de compresion

CARBURETOR REPAIR TOOL _____ 17789
 Outil de réparation de carburateur
 Vergaser-Reparaturwerkzeug
 Attrezzo di riparazione del carburatore
 Herramienta de reparación del carburador

SHIM (.0125") _____ 24306
 Cale (0,31mm)
 Distanzstück (0,31mm)
 Zeppa (0,31mm)
 Calce (0,31mm)

DIGITAL TACHOMETER _____ 18416
 Compte-tours numérique
 Digital-Drehzahlmesser
 Tachometro digitale
 Tacometro digital

CLUTCH ASSEMBLY TOOL _____ 18080
 Outil de montage d'embrayage
 Kupplungszusammenbau-Werkzeug
 Attrezzo del gruppo frizione
 Herramienta de armado del embrague

SEALANT SILICON _____ 24823
 Matériau d'étanchéité au silicone
 Silicon-Dichtungsmasse
 Sigillo al silicone
 Sellador de silicio

WRENCH (combination) _____ A-24824
 Clé combiné
 Schraubenschlüssel Kombination
 Chiave combinata
 Llave combinada

PULLER- Magneto Rotor _____ A-24747-A
 Extracteur, rotor magnito
 Abziehwerkzeug-Magnetrotor
 Rotore d'estrazione a magnete
 Extractor-rotor de magneto

T-25 TORX DRIVE BIT _____ 24982-02
 Foret torx T-25
 T-25 Torx-Antriebsbit
 Punta Torx Drive T-25
 Broca de empuje T-25 Torx

SHIM (0.015" AIR GAP) _____ 22486
 Cale (écart de 0,38 mm)
 Distanzscheibe (0,38 mm Luftspalt)
 Spessore (spinterometro 0,38 mm)
 Suplemento (espacio de 0,38 mm)

TESTER (Spark Plug) _____ GP-20322-5
 Appareil de contrôle (Bougie)
 Prüfgerät (Zündkerze)
 Tester (candela)
 Probador de bujía

CLUTCH SPANNER _____ A-01182
 Clé à embrayage
 Kupplungs-Gabelschlüssel
 Chiave della frizione
 Llave para embrague

CHAIN (32-MD50-67) (16") _____ DI-L7267-AH
 Chaîne (32-MD50-67) (40,64cm)
 Kette (32-MD50-67) (40,64cm)
 Catena (32-MD50-67) (40,64cm)
 Cadena (32-MD50-67) (40,64cm)

CHAIN (32-MD50-73) (18") _____ DI-L7273-AH
 Chaîne (32-MD50-73) (45,72cm)
 Kette (32-MD50-73) (45,72cm)
 Catena (32-MD50-73) (45,72cm)
 Cadena (32-MD50-73) (45,72cm)

CHAIN (32-MD50-79) (20") _____ DI-L7279-AH
 Chaîne (32-MD50-79) (50,80cm)
 Kette (32-MD50-79) (50,80cm)
 Catena (32-MD50-79) (50,80cm)
 Cadena (32-MD50-79) (50,80cm)

NOTES
NOTES
NOTIZEN
NOTAS
NOTE

Leon's Chainsaw Parts & Repair
Do Not Sell or Reproduce

CUSTOMER ASSISTANCE

**FOR THE LOCATION OF YOUR NEAREST HOMELITE SERVICING DEALER
IN THE UNITED STATES, PUERTO RICO, AND THE VIRGIN ISLANDS,**

CALL: 1-800-242-4672

HEADQUARTERS

Homelite, Inc.
P.O. BOX 7047
CHARLOTTE, N.C. 28241

OVERSEAS OFFICES

NETHERLANDS

Homelite Netherlands B.V.
A Deere & Company Affiliate
Haverstraat 24
2153 GB Nieuw Vennep
The Netherlands

FRANCE

Homelite Atlantic SARL
Groupe Deere & Co.
BP 7011
95050 Cergy Pontoise Cedex
France

AUSTRALIA

Homelite Pacific Ltd.
A Deere & Company Affiliate
ACN 008 683 538
94 Rushdale Street
P.O. Box 555 MDA
Australia

CANADIAN OFFICES

Homelite Canada Limited
Homelite Canada Limitée

A Deere & Company Affiliate/
Une Filiale de Deere & Company
1850-55e/th Avenue
Lachine, Québec, Canada H8T 3J5
1-800-363-5715

UNIT 212-214, 590 Ebury Place
New Westminster, B.C. V3M 6K7
1-800-667-3128

20-D Voyager Court South
Etobicoke, Ontario M9W 5M7
1-800-465-2249

Homelite.inc.

A Subsidiary of Deere & Company