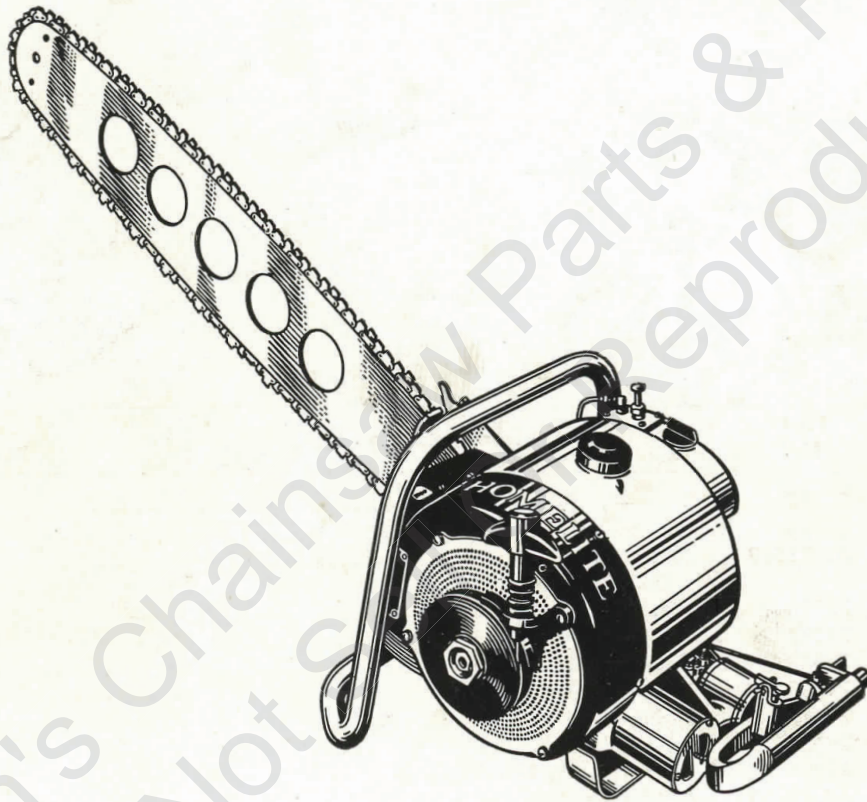


PARTS LIST

HOMELITE CHAIN SAW

MODEL 20MCS



Gasoline-Engine-Driven

EDWIN HODAM, Jr.
ROUTE 10
DEPOSIT, NEW YORK

Bulletin L-341

HOMELITE CORPORATION
PORT CHESTER, N.Y.

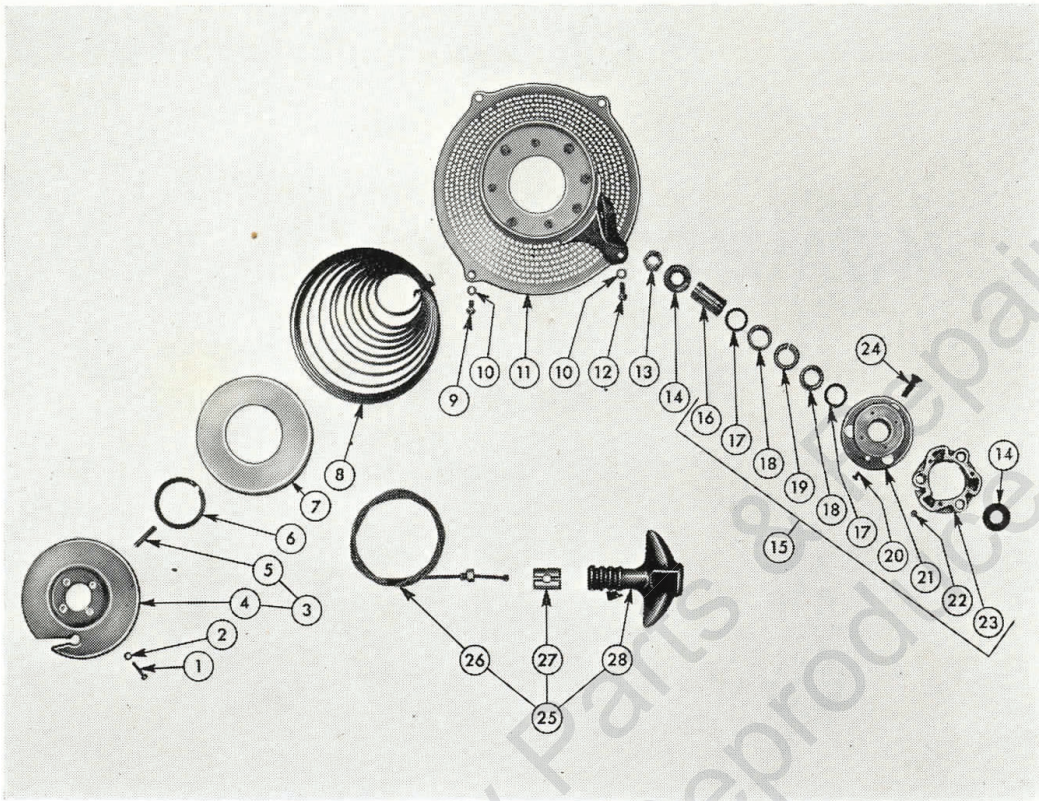


Figure 1—Recoil Starter Parts

Index No.	Part No.	Nomenclature	Units Per Ass'y
1	80475	Screw—Fil. hd., 6-32 x 3/4"	4
2	83004	Washer—Lock, No. 6	4
3	AA-71589	Pulley Assembly	1
		Composed of	
4	71203-A	Pulley—Recoil starter	1
5	71577	Pin—Pulley	1
6	71588	Shim—Plastic	As Req.
7	71603	Cover—Spring housing	1
8	71470	Spring—Recoil	1
9	80157	Screw—Rd. hd., 10-32 x 1/2"	3
10	83006	Washer—Lock, No. 10	4
11	AA-71953	Air Screen Assembly	1
12	80462	Screw—Rd. hd., 10-32 x 5/8"	1
13	81104	Nut—Flex lock, 7/16"-20 thin	1
	84055	Washer—Flat aluminum, 7/16"	1
14	71598	Washer—Thrust	2
15	AA-71618	Ball Drive Assembly	1
		Composed of	
16	71196-B	Sleeve—Bearing	1
17	71597	Seal—Garlock	2
18	71596	Bearing—Needle	2
19	71595	Wick—Felt	1
20	80464	Screw—Flat hd., 5-40 x 5/16"	3
21	AA-71586	Ratchet Assembly	1
22	30355-1	Ball—Steel, 1/4"	3
23	71563-A	Plate—Ball drive	1
24	80173	Screw—Flat hd., 1/4-20 x 5/8"	3
25	AA-72012	Starting Cable and Grip Assembly	1
		Composed of	
26	AA-71997	Starting Cable Assembly	1
27	71420-A	Lock—Cable	1
28	71149	Grip—Starting cable	1

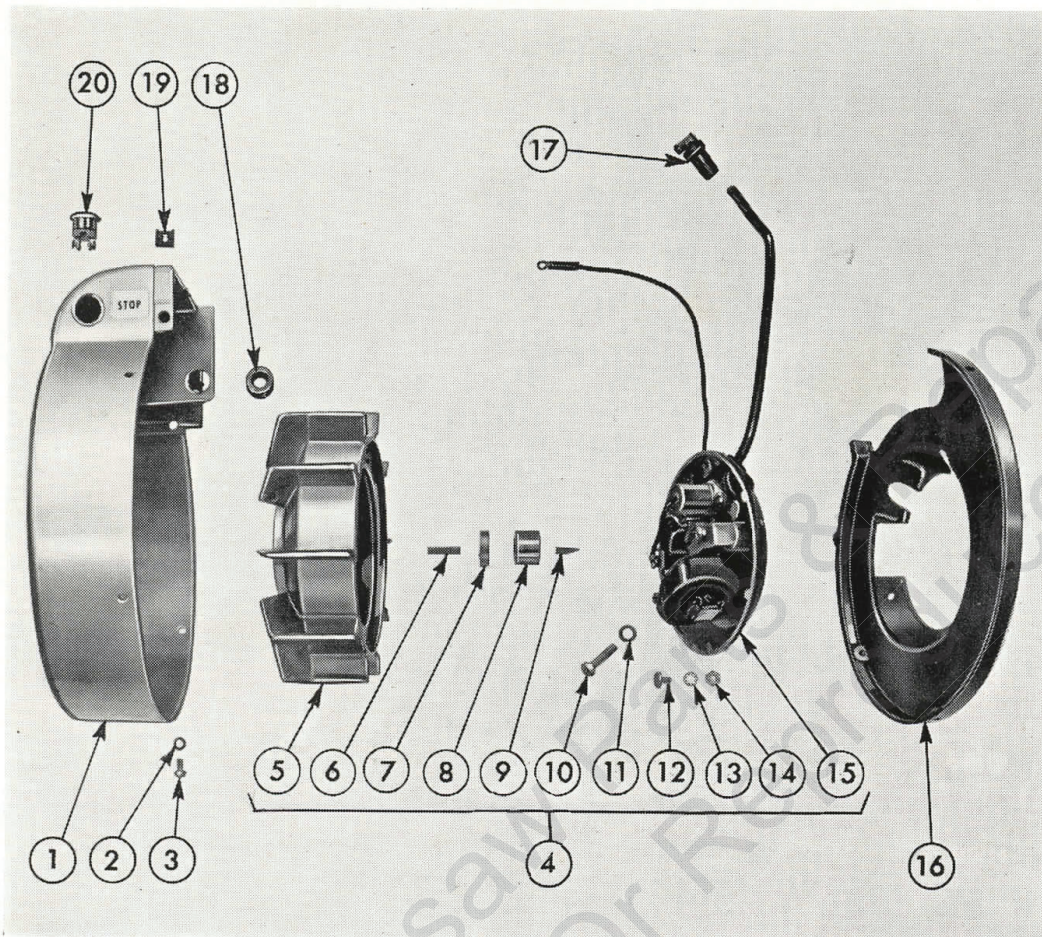


Figure 2—Ignition and Air Shroud Parts

Index No.	Part No.	Nomenclature	Units Per Ass'y
1	AA-72095	Air Shroud Assembly	1
	71206	Decalcomania—Stop	1
	71556	Decalcomania—Homelite	1
2	83006	Washer—Lock, No. 10	4
3	80157	Screw—Rd. hd., 10-32 x 1/2"	4
4	AA-71767	Magneto Assembly	1
		Composed of	
5	71482	Rotor—Magneto	1
6	19797	Key—Rotor	1
7	19385	Spacer—Rotor	1
8	71337	Cam	1
9	71349	Key—Cam	1
10	80057	Screw—Fil. hd., 1/4-20 x 7/8"	2
11	83009	Washer—Lock, 1/4"	2
12	80478	Bolt—Carriage, 10-24 x 7/16"	4
13	83025	Washer—Lock, shakeproof No. 10 int.	4
14	81092	Nut—Hex, 10-24	4
15	AA-71741	Stator Plate Assembly (See Fig. 3 for breakdown)	1
16	71045-A	Plate—Back	1
17	19125	Connector	1
18	71488	Grommet—High tension	1
19	81094	Nut—Speed	3
20	AA-72094	"OFF" and "ON" Switch Assembly	1

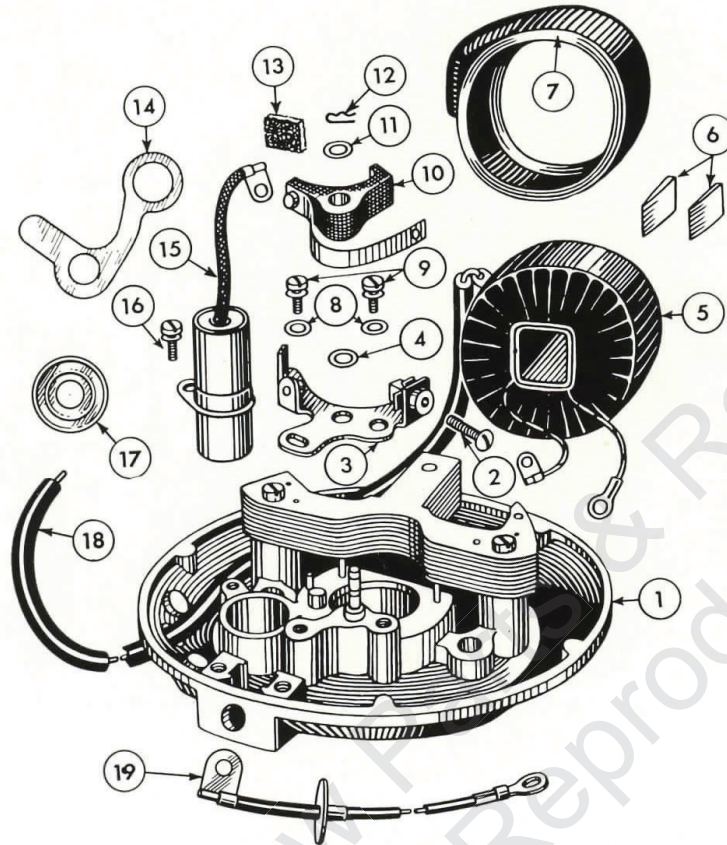


Figure 3—Magneto Stator Plate Parts

Index No.	Part No.	Nomenclature	Units Per Ass'y
	AA-71741	Stator Plate Assembly	1
		Composed of	
1	32089-3	Group—Stator replacement	1
2	30263	Screw—Ground lead	1
3	30259	Plate—Contact	1
4	30268	Washer—Breaker arm	1-2
5	32090	Coil Assembly	1
6	28027	Wedge—Coil	1-2
7	30262	Protector—Coil	1
8	28029	Washer—Fixed contact	2
9	30261	Screw—Fixed contact	2
10	30260	Arm—Breaker	1
11	28003	Washer—Pivot	1
12	28008	Lock—Spring	1
13	30267	Felt—Cam oiler	1
14	30273	Clamp—High tension lead	1
15	32091	Condenser	1
16	30261	Screw—Condenser clamp	1
17	S-1007	Grommet—High tension lead	1
18	89371	Lead—High tension	1
19	AA-71699	Ground Lead Assembly	1

31482 Points

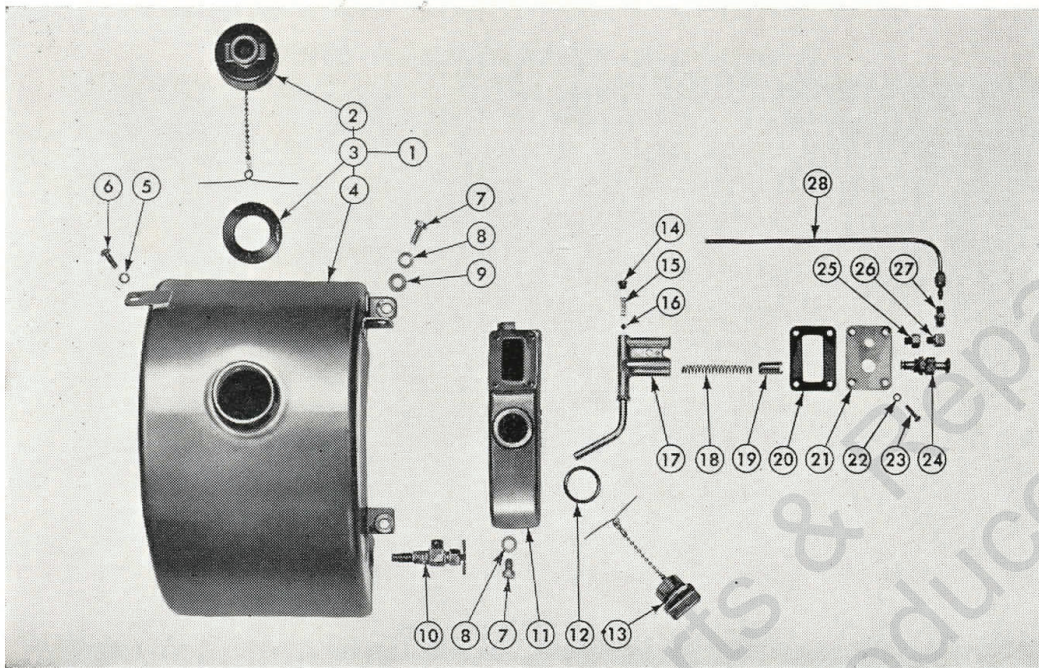


Figure 4—Fuel Tank and Pressure Lubricator Parts

Index No.	Part No.	Nomenclature	Units Per Ass'y
1	AA-71654	Fuel Tank and Cap Assembly	1
		Composed of	
	AA-71567	Fuel Filler Cap and Gasket Assembly	1
		Composed of	
2		*Cap—Filler	1
3	71566	Gasket—Filler cap	1
4	AA-71537	Fuel Tank with decalcomania	1
	71536	Decalcomania (Instruction)	
5	83006	Washer—Lock, No. 10	1
6	80462	Screw—Rd. hd., 10-32 x 5/8"	1
7	80045	Screw—Fil. hd., 1/4-20 x 1/2"	3
8	83009	Washer—Lock, 1/4"	3
9	84004	Washer—Flat, 1/4"	1
10	71425	Valve—Fuel shut-off	1
11	71546	Body—Lubricator	1
12	72280	Gasket—Oil filler cap	1
13	AA-71655	Oil Filler Cap Assembly with Gasket	1
14	†71759	Screw—Valve plug	1
15	†71760	Spring—Valve	2
16	†25527-1	Ball—Valve check	2
17	†71761	Body—Oil pump	1
	†AA-71787	Intake Tube and Screen Assembly	1
18	†71762	Spring—Plunger	1
19	†71763	Plunger	1
20	71551	Gasket—Cover	1
21	71550	Cover—Lubricator body	1
22	83004	Washer—Lock, No. 6	4
23	80123	Screw—Rd. hd., 6-32 x 1/2"	4
24	†71764	Plunger Button Assembly	1
25	†71765	Adapter—Connector	1
26	31734	Elbow—90°	1
27	31733-1	Connector—Oil line	1
28	AA-71790	Oil Line Assembly	1

*Not Sold separately.

†These parts may be purchased as "Oil Pump Assembly" Part No. AA-71786.

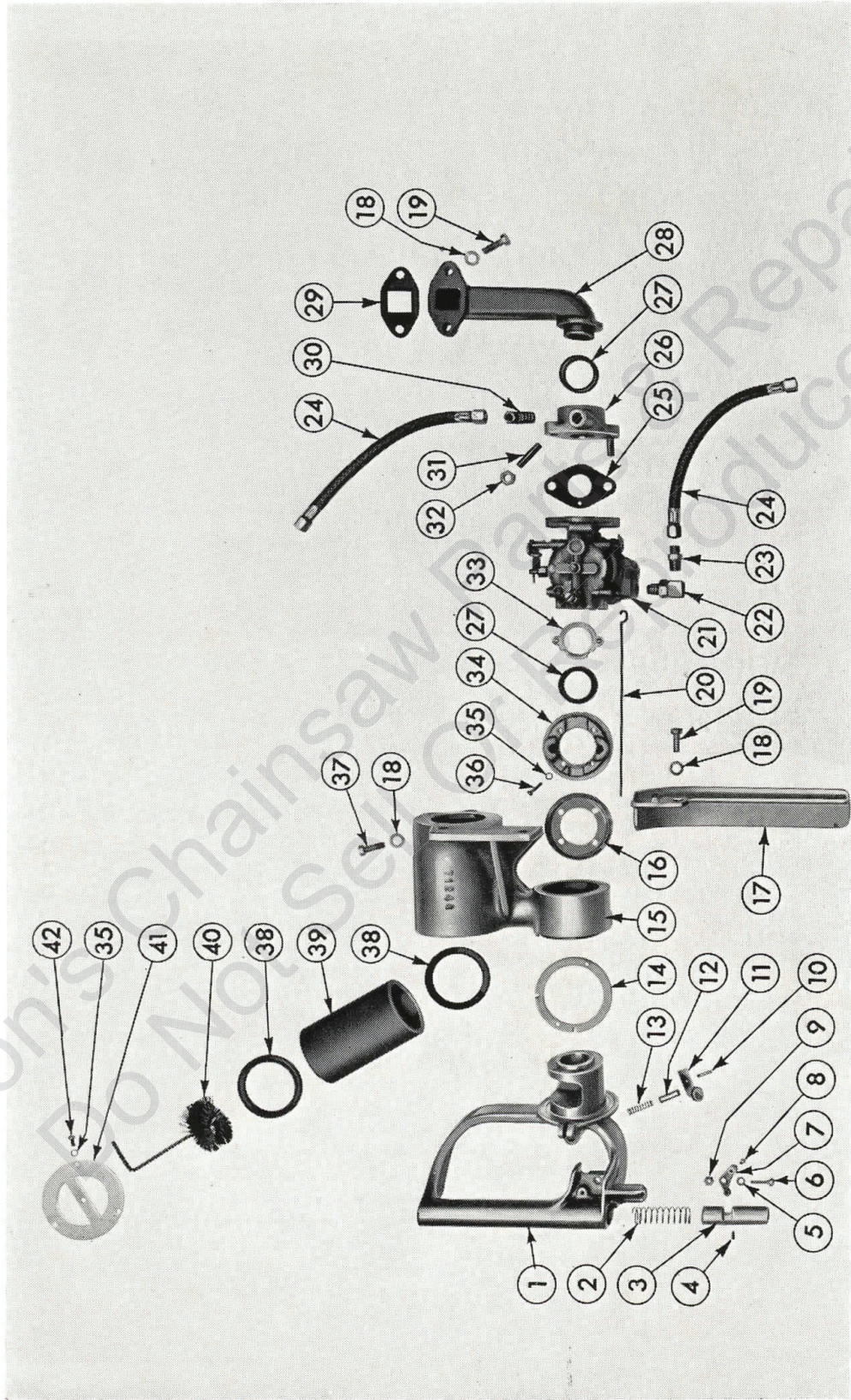
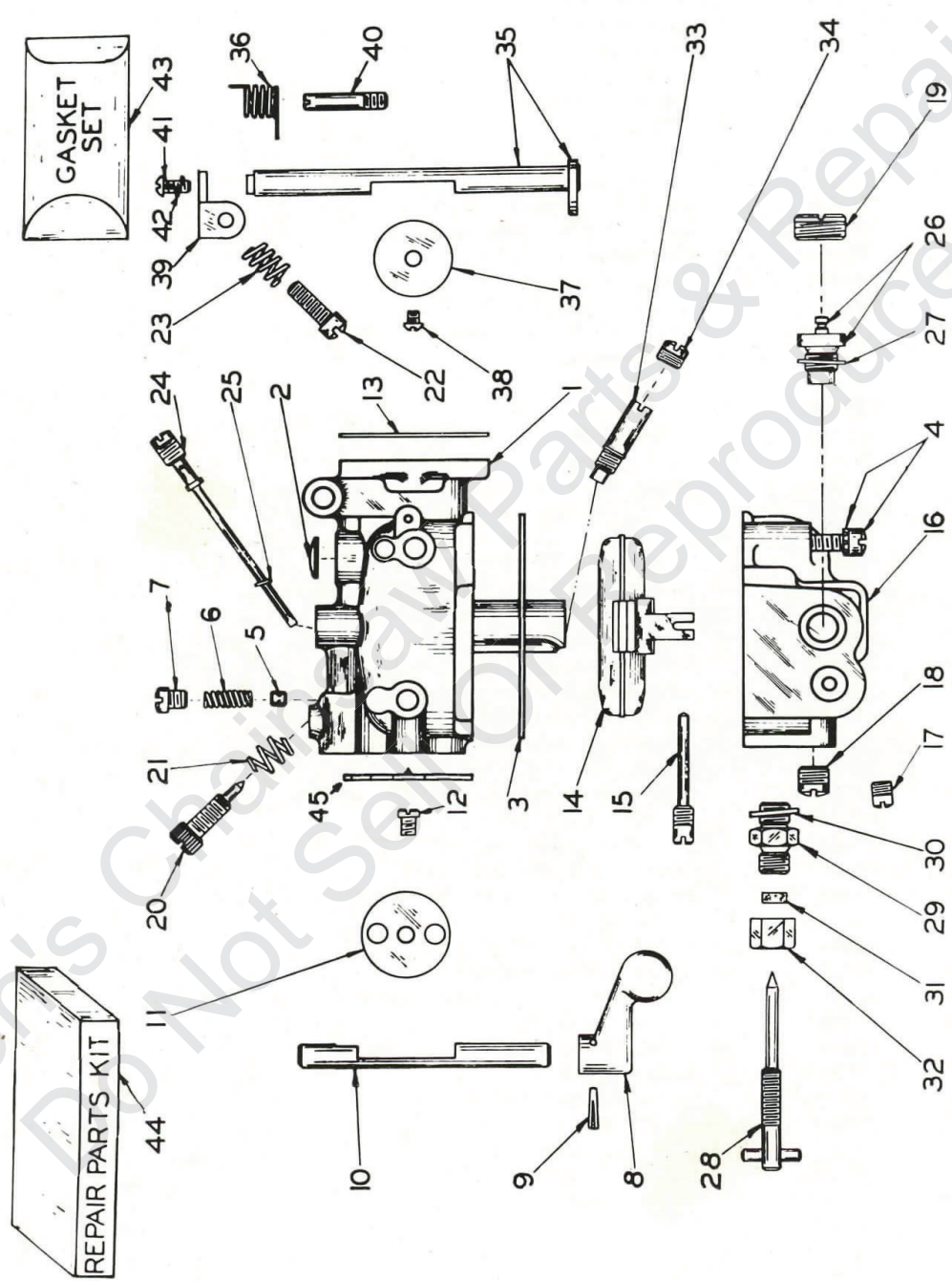


Figure 5—Swivel Handle Parts

SWIVEL HANDLE PARTS (See Figure 5)

Index No.	Part No.	Nomenclature	Units Per Ass'y
1	AA-71697	Swivel Handle Sub-assembly with Throttle Lock	1
		Composed of	
		†Handle—Swivel	1
	AA-71768	Throttle Lock Parts	1
2	71404	Spring—Throttle button	1
3	71321-A	Button—Throttle	1
4	80483	Screw—Throttle button	1
5	84050	Washer—Brass	1
6	71320	Screw—Throttle lever	1
7	AA-71424	Throttle Lever Assembly with screw	1
8	80465	Screw—Throttle rod, 6-32 x 1/4"	1
9	81054	Nut—Hex, 5-40	1
10	71643	Pin—Indexing lever	1
11	AA-71423	Indexing Lever Assembly	1
12	71383	Plunger—Indexing lever	1
13	19748	Spring—Plunger	1
14	71310-B	Ring—Handle indexing	1
15	AA-71585-A	Handle Bracket and Bushing Assembly	1
16	71403	Shim	1
17	71256	Guard—Carburetor	1
18	83009	Washer—Lock, 1/4"	8
19	80050	Screw—Fil. hd., 1/4-20 x 5/8"	4
20	71377	Rod—Throttle	1
21	AA-71653	Carburetor and Spacer Assembly (See Fig. 6 for breakdown)	
22	71475	Elbow—Swivel, 90°	1
23	11204	Connector—Body	1
24	71469-1	Line—Flexible fuel	2
25	71155	Gasket—Carburetor flange	1
26	71127-A	Flange—Carburetor swivel	1
27	71408-A	Gasket—Carburetor swivel (rubber)	2
28	71126-A	Manifold—Intake	1
29	71154	Gasket—Intake manifold	1
30	S-740	Elbow—Adapter	1
31	27464	Stud	2
32	81013	Nut—Hex, 1/4-20	2
33	71299	Spacer—Carburetor (Part of Item 21)	1
34	71298-A	Plate—Swivel handle	1
35	83004	Washer—Lock, No. 6	7
36	80461	Screw—Fil. hd., 6-32 x 5/8"	4
37	80060	Screw—Fil. hd., 1/4-20 x 1"	2
38	71428	Gasket—Air filter	2
39	71429	Filter—Air	1
40	71545	Brush—Air filter	1
41	71325	Cap—Air filter	1
42	80261	Screw—Rd. hd., 6-32 x 3/8"	3
	71952	Brace—Swivel handle	1

†Not Sold separately.



CARBURETOR PARTS (See Figure 6)

Index No.	Part No.	Nomenclature	Units Per Ass'y
	AA-71653	Carburetor Assembly	1
		Composed of	
1	AA-71490	Body—Service (includes parts marked †)	1
		Composed of	
2		†Body—Upper half	
		†Plug	
		†Stop pins	
		†Vent Tube	
3	*71492	Gasket—Carburetor body	1
4	71493	Screw and Lockwasher	4
5	*71494	Pin—Choke friction	1
6	*71495	Spring—Choke friction pin	1
7	*71496	Screw—Choke friction pin	1
	†71525	Choke Shaft and Lever Assembly	1
		Composed of	
8	71497	Lever—Choke	1
9	28102	Pin—Choke lever	1
10	71498	Shaft—Choke	1
11	†71499	Shutter—Choke	1
12	†71500	Screw—Choke shutter	1
13	*71155	Gasket—Carburetor (not part of AA-71653)	1
14	31855	Float	1
15	*71503	Pinion—Float lever screw	1
16	71504	Bowl—Float	1
17	*71505	Screw—Float bowl drain (small)	1
18	28068	Screw—Float bowl plug (medium)	1
19	71506	Screw—Float bowl plug (large)	1
20	71507	Screw—Idle mixture adjustment	1
21	71508	Spring—Idle adjustment	1
22	71509	Screw—Idle stop	1
23	28064	Spring—Idle stop screw	1
24	71510	By-Pass Tube Assembly	1
25	71511	Gasket—By-pass tube	1
26	31854	Inlet Needle and Seat Assembly with Gasket	1
27	*71513	Gasket—Inlet needle and seat	1
	AA-31856	Main Adjustment Screw Assembly	1
		Composed of	
28	*31853	Screw—Main adjustment	1
29	28057	Gland—Main adjustment screw	1
30	*28055	Gasket—Main adjustment screw gland	1
31	*15037	Packing—Gland	1
32	28058	Nut—Main adjustment screw packing	1
33	*71515	Nozzle—Main	1
34	71516	Screw—Nozzle channel-plug	1
35	†71517	Throttle Shaft and Lever Assembly	1
36	71518	Spring—Throttle return	1
37	†25050	Shutter—Throttle	1
38	†71519	Screw—Throttle shutter	1
39	71520	Bracket—Idle stop	1
40	28126	Pin—Stop	1
41	71521	Screw—Idle stop bracket	1
42	71522	Washer—Lock	1
43	*71523	Gasket and Packing Set	1
44	71491	Repair Parts Kit	1
45	71299	Spacer—Carburetor	1

†Not Procurable Separately.

*Included in Repair Parts Kit, Part No. 71491.

‡Included in Body-Service, Part No. AA-71490.

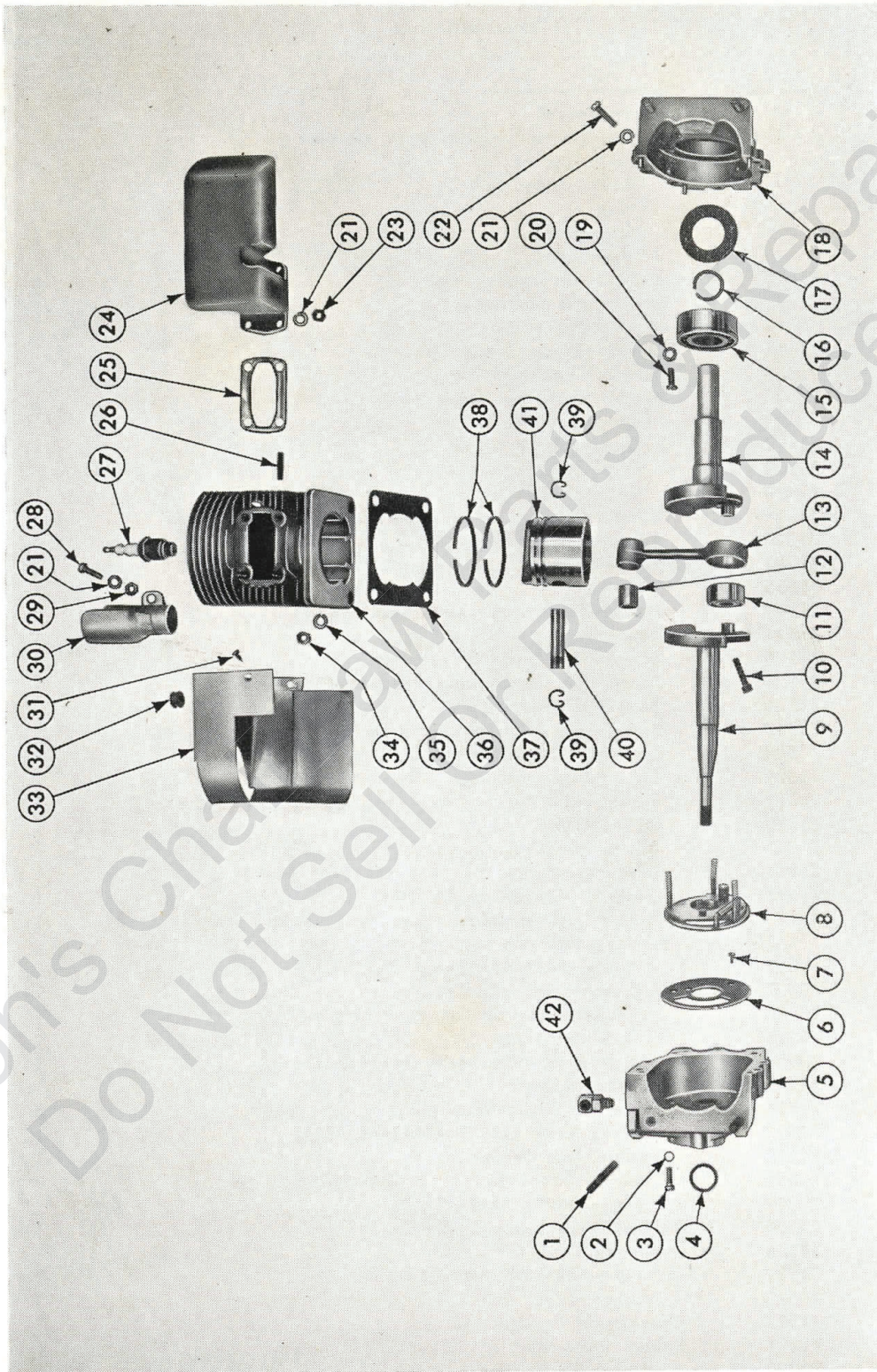


Figure 7—Engine Parts

ENGINE PARTS (See Figure 7)

Index No.	Part No.	Nomenclature	Units Per Ass'y
	AA-71487	Crankcase Assembly (Front Half)	1
		Composed of	
1	25411	Stud—Cylinder	4
2	25304	Gasket—Fibre	1
3	80438	Screw—Fil. hd., 1/4-28 x 3/8"	1
4	71110	Seal—Garlock	1
5	71051-1A	Crankcase—Front half	1
6	71052-B	Plate—Intake valve	1
7	80464	Screw—Flat hd., 5-40 x 5/16"	3
8	A-6033	Governor Assembly	1
9	AA-72072	Crankshaft Assembly, Front half (timing)	1
10	80435	Screw—Allen socket 1/4-28 x 1"	1
11	50069	Bearing—Connecting rod (SKF #5201)	1
	AA-71166	Connecting Rod Assembly	1
		Composed of	
12	71167	Bearing—Needle (Torrington #B-812)	1
13		*Rod—Connecting	1
14	AA-72054	Crankshaft Assembly, Rear half (main)	1
15	71164	Bearing—Ball (ND #45205)	1
16	50033	Ring—Snap	1
17	71106	Gasket—Crankcase sealing	1
18	AA-72013	Crankcase Assembly (Rear Half)	1
19	83061	Washer—Lock (Special Thin 1/4")	2
20	19238-A	Screw—Ball bearing retaining	2
21	83009	Washer—Lock, 1/4"	11
22	80181-1	Bolt—Hex hd., 1/4-20 x 7/8"	7
23	81065	Nut—Hex, 1/4-28	3
24	71296	Muffler	1
25	50335	Gasket—Exhaust manifold	1
26	71304	Stud—Exhaust manifold	3
27	71530	Plug—Spark	1
28	80050	Screw—Fil. hd., 1/4-20 x 5/8"	1
29	81013	Nut—Hex, 1/4-20	1
30	AA-71328	Shield—Spark plug	1
31	80455	Screw—Sheet metal, No. 8	3
32	S-1007	Grommet—Cylinder shield	1
33	71157	Shield—Cylinder	1
34	25412	Nut—Hex, 5/16-24	4
35	83042	Washer—Lock, 5/16"	4
36	71070-D	Cylinder	1
37	71124	Gasket—Cylinder	1
38	71159	Ring—Piston	2
	AA-71380	Piston, Pin and Retainer Assembly	1
		Composed of	
39	25502	Ring—Piston pin retaining	2
40		*Pin—Piston	1
41		*Piston Assembly	1
42	71475	Elbow—Swivel, 90°	1

NOTE

For saws having the one piece crankshaft order the following parts:

AA-72205	Crankshaft	1
AA-72119	Connecting Rod Assembly, Split	1
AA-72206	Needle Bearing Set (31 needles)	1

*Not sold separately.

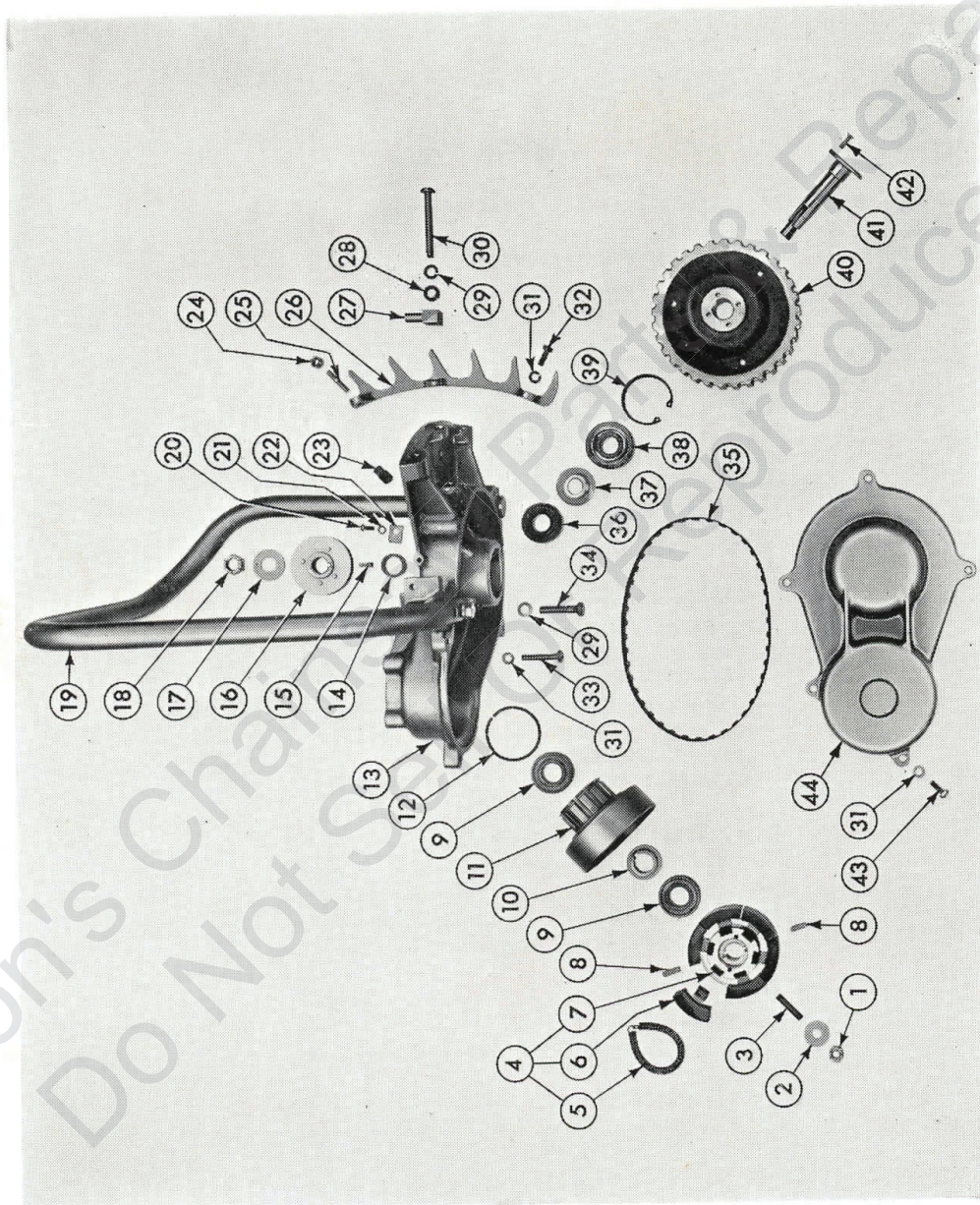


Figure 8—Drive Case Parts

DRIVE CASE PARTS (See Figure 8)

Index No.	Part No.	Nomenclature	Units Per Ass'y
1	81107	Nut—Flex lock, 5/16-18	1
2	71193	Washer—Flat alum.	1
3	71375	Stud—Crankshaft	1
4	AA-71792	Clutch Assembly	1
		Composed of	
5	71331-B	Spring—Clutch	2
6	71244-C	Shoe—Clutch	6
7	71324-A	Spider—Clutch	1
8	71374	Key—Clutch	2
9	71451	Bearing—Clutch drum (ND #77R12X1919)	2
10	71376	Spacer—Bearing	1
11	AA-71449	Clutch Sprocket and Drum Assembly	1
12	71334	Ring—Snap	1
13	AA-72000	Drive Case Assembly	1
14	71993	Spacer—Sprocket	1
15	30449	Key—Sprocket	1
16	AA-72299	Chain Drive Sprocket Assembly	1
17	84053	Washer—Flat alum., 1/2"	1
18	81101	Nut—Flexlock, 1/2-20	1
19	AA-71313	Handle Bar Assembly	1
20	80029	Screw—Rd. hd., 10-32 x 3/8"	1
21	83025	Washer—Lock, shakeproof No. 10 int-ext	1
22	71314	Clamp—Oil line	1
23	71402	Stud—Guide bar locating	1
24	81093	Nut—Flexlock, 1/4-20	1
25	26304	Stud—Bumper	1
26	71243	Plate—Spiked bumper	1
27	71190	Pin—Guide bar adjusting screw	1
28	84056	Washer—Flat alum., 5/16"	1
29	83002	Washer—Lock, 5/16"	5
30	71191-A	Screw—Guide bar adjusting	1
31	83009	Washer—Lock, 1/4"	10
32	80055	Screw—Fil. hd., 1/4-20 x 3/4"	1
33	80066	Screw—Hex hd., 1/4-20 x 1 1/2"	4
34	80463	Screw—Hex hd., alum., 5/16-18 x 1 1/2"	4
35	71270	Belt—Drive	1
36	26553	Bearing—Sprocket shaft, rear (ND #87503)	1
37	71187-A	Spacer—Sprocket shaft bearing	1
38	71446	Bearing—Sprocket shaft, front (ND #77603)	1
39	71445	Ring—Retaining (Truarc)	1
40	71143-B	Pulley—Sprocket	1
41	71145-B	Shaft—Sprocket	1
42	80031	Screw—Flat hd., 10-32 x 1/2"	4
43	80057	Screw—Fil. hd., 1/4-20 x 7/8"	5
44	71140-B	Cover—Drive case	1
	71988	Gasket—Drive case cover	1

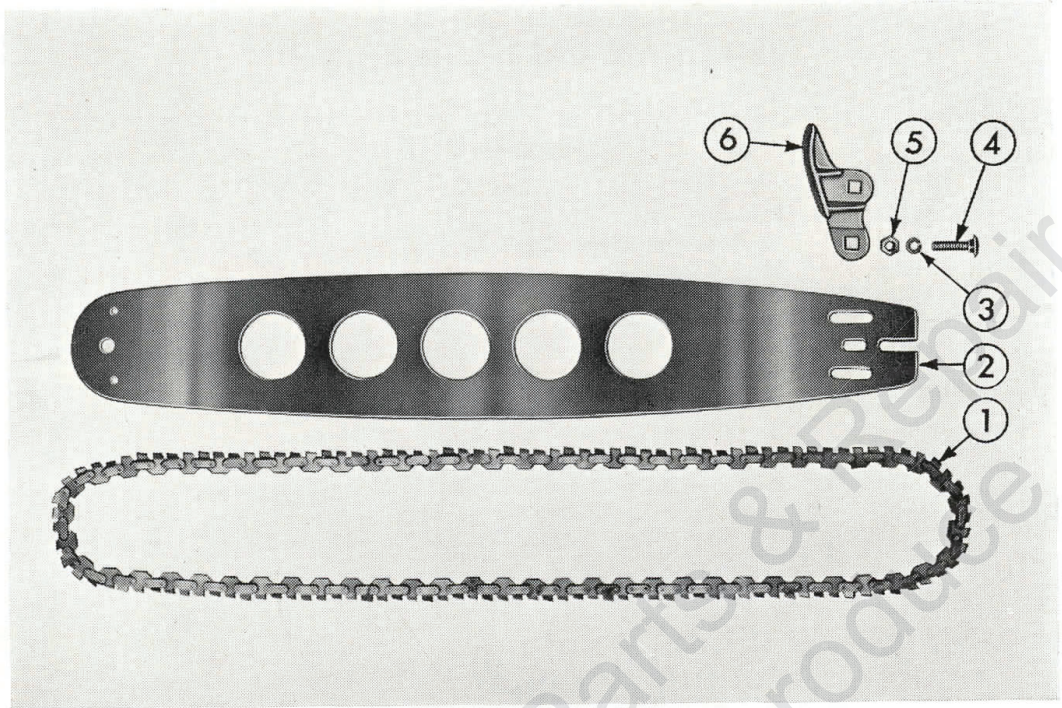


Figure 9—14", 20" and 27" Saw Parts

Index No.	Part No.	Nomenclature	Units Per Ass'y
1	*AA-72245	14" Chain	1
	*AA-72246	20" Chain	1
	*AA-72247	27" Chain	1
2	*AA-72300	14" Guide bar	1
	*AA-72293	20" Guide bar	1
	*AA-72287	27" Guide bar	1
3	83018	Washer—Lock, 3/8"	2
4	82084	Bolt—Carriage, 3/8-16 x 1 1/2"	2
5	81089	Nut—Hex, 3/8-16	2
	84052	Washer—Flat alum., 3/8"	2
6	71592	Shoe—Bumper	1

*Note: Order the proper size to fit your chain saw.

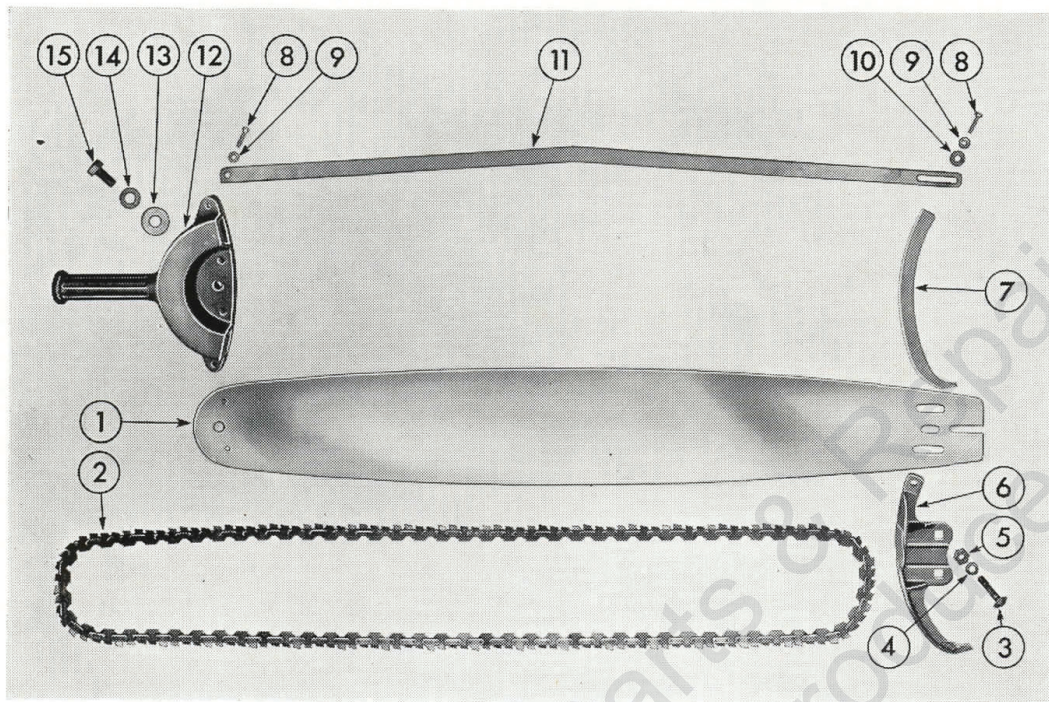


Figure 10—32" Saw Parts

Index No.	Part No.	Nomenclature	Units Per Ass'y
1	AA-31968	32" Guide bar	1
2	AA-72248	32" Chain	1
3	82084	Bolt—Carriage, $\frac{3}{8}$ -16 x $1\frac{1}{2}$ "	2
4	83018	Washer—Lock, $\frac{3}{8}$ "	2
	84052	Washer—Flat alum., $\frac{3}{8}$ "	2
5	81089	Nut—Hex, alum., $\frac{3}{8}$ -16	2
	*AA-71694	20" Saw Helper's End Assembly	1
	*AA-71695	27" Saw Helper's End Assembly	1
	*AA-71769	32" Saw Helper's End Assembly	1
		Composed of	
6	AA-71883	Two-Man Bumper Shoe Assembly	1
7	71526-A	Plate—Two-man plain bumper	1
8	80045	Screw—Fil. hd., $\frac{1}{4}$ -20 x $\frac{1}{2}$ "	2
9	83045	Washer—Lock, shakeproof int. $\frac{1}{4}$ "	2
10	84004	Washer—Flat, $\frac{1}{4}$ "	2
11	*31613	20" Chain Guard	1
	*31674	27" Chain Guard	1
	*71693	32" Chain Guard	1
12	AA-31747	Two-Man Helper's Handle Assembly	1
13	84007	Washer—Flat, $\frac{3}{8}$ "	1
14	83018	Washer—Lock $\frac{3}{8}$ "	1
15	80488	Screw—Thumb, $\frac{3}{8}$ -16 x 1"	1

*Note: Order the proper size to fit your chain saw.

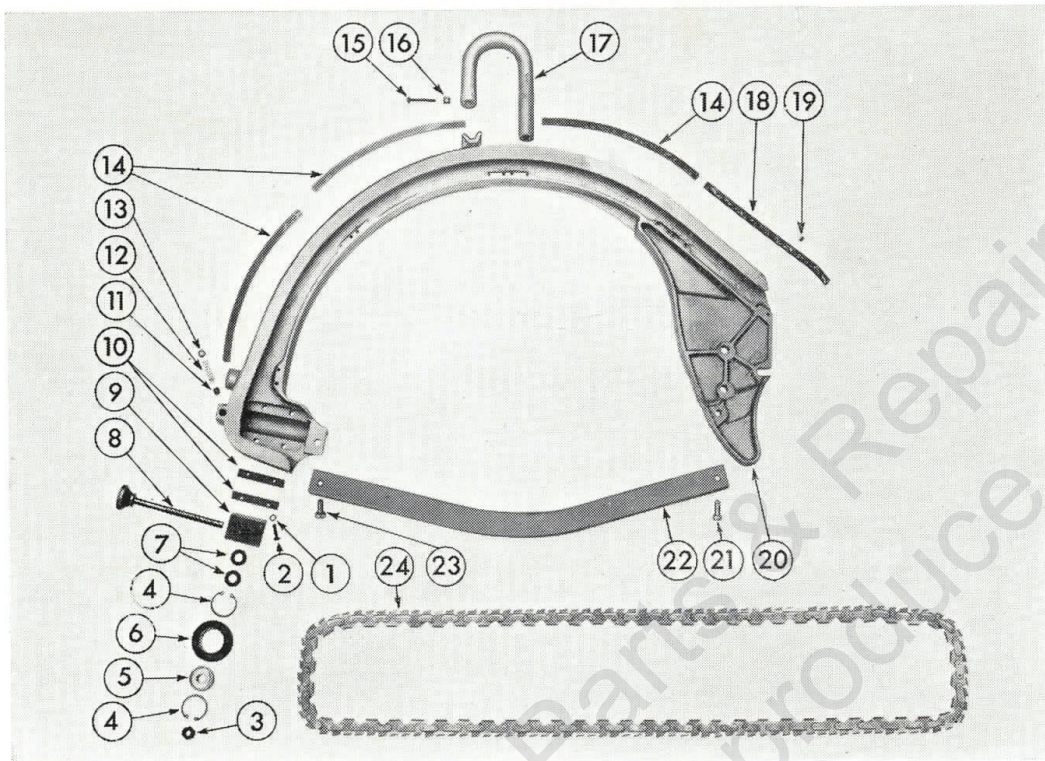


Figure 11—Bow Saw Parts

Index No.	Part No.	Nomenclature	Units Per Ass'y
	AA-71638	Bow Attachment Assembly	1
		Composed of	
1	83046	Washer—Lock, No. 10	4
2	80433	Screw—Fil. hd., 10-24 x 5/8"	4
3	81018	Nut—Hex, 5/16-18	1
	AA-71723	Idler Wheel Assembly	1
		Composed of	
4	71726	Ring—Retainer	2
5	71725	Bearing—Ball (S.K.F. No. 6200-2Z)	1
6	71724	Wheel—Idler	1
7	71727	Spacer—Idler wheel	As Req.
8	71729	Knob and Adjusting Screw Assembly	1
9	AA-71773	Idler Slide and Shaft Assembly	1
		Composed of	
	71728	Slide—Idler	1
	71731	Shaft—Idler slide	1
10	71730	Guide—Idler slide	2
11	71720	Ball—Idler stop, 5/16"	1
12	71721	Spring—Idler stop	1
13	71722	Plug—Idler stop spring	1
14	71733	Guide—Chain return (Curved)	3
15	80063	Screw—Rd. hd. 1/4-20 x 1 1/2"	2
	83009	Washer—Lock 1/4"	2
16	81013	Nut—Hex, 1/4-20	2
17	71719	Handle—Top	1
18	71734	Guide—Chain return (Straight)	1
19	80486	Screw—Hollow set, 10-24 x 1/4"	15
20	71718	Housing—Main frame	1
21	80085	Screw—Hex hd., 5/16-18 x 1"	1
22	71732	Guide—Main chain	1
23	80083	Screw—Hex hd., 5/16-18 x 3/4"	1
	83002	Washer—Lock, 5/16"	2
24	AA-31676	27" Chain	1

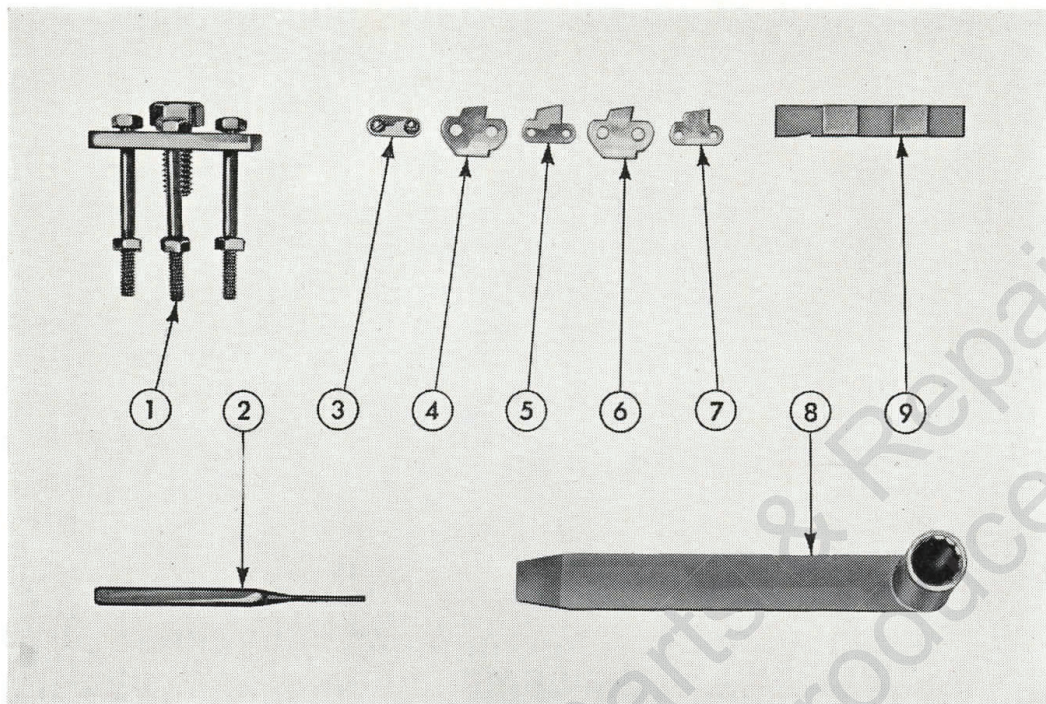


Figure 12—Service Parts and Tool Kit

Index No.	Part No.	Nomenclature	Units Per Ass'y
1	AA-22560	Puller—Magneto rotor	1
2	31249	Punch—Pin	1
	AA-31246	Kit—Service parts	1
		Composed of	
3	AA-31735	Connecting Link and Rivet Assembly	6
4	29502-1	Raker—Right	1
5	29501-2	Cutter—Left	5
6	29502-2	Raker—Left	1
7	29502-2	Cutter—Right	5
8	22183	Wrench—Socket, 5/8"	1
9	31247	Gauge—Clearance	1

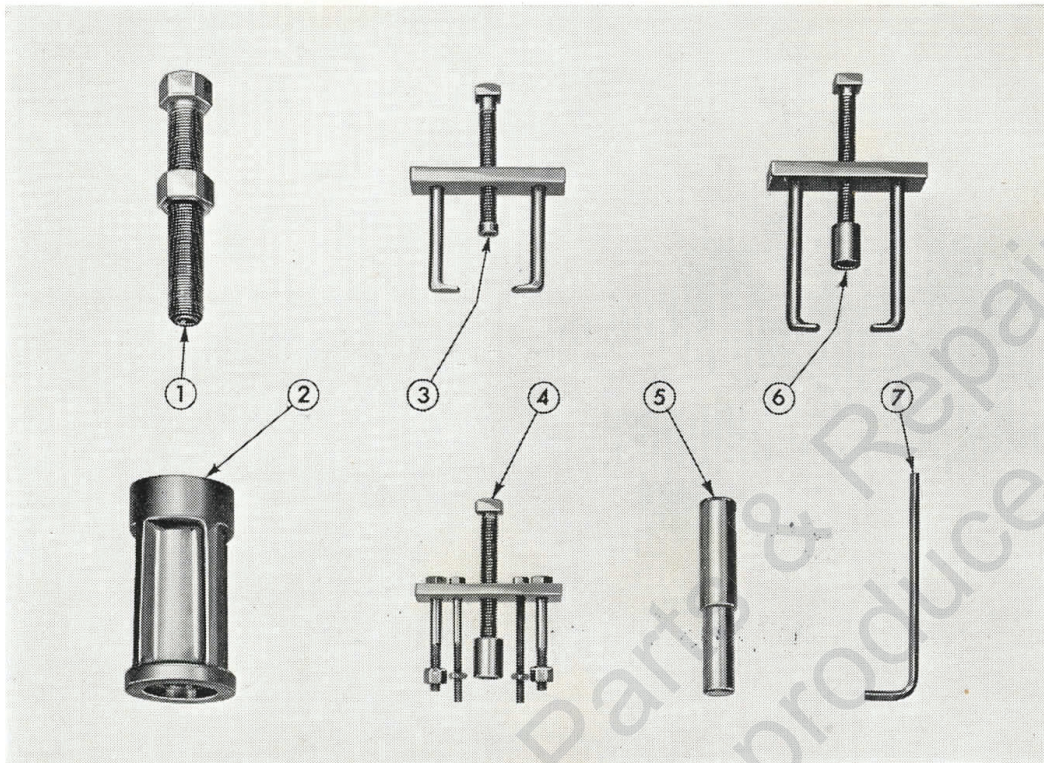


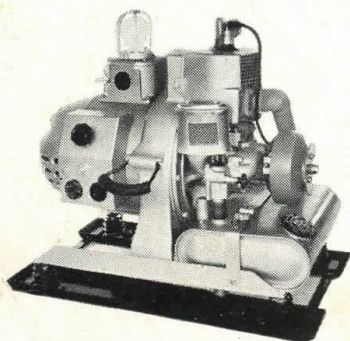
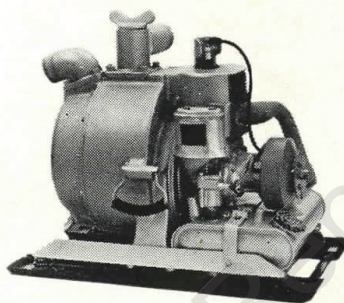
Figure 13—Special Service Tools

Index No.	Part No.	Nomenclature	Units Per Ass'y
1	AA-22595	Jack Screw	1
2	AA-22557	Crankshaft Assembly Fixture	1
3	AA-22615	Puller—Connecting rod	1
4	AA-22577	Puller—Clutch assembly	1
5	S-395	Remover—Sprocket shaft bearing	1
6	AA-22592	Puller—Clutch bearing	1
7	22062	Wrench—Allen, 3/16"	1

HOMELITE *Carryable* PRODUCTS

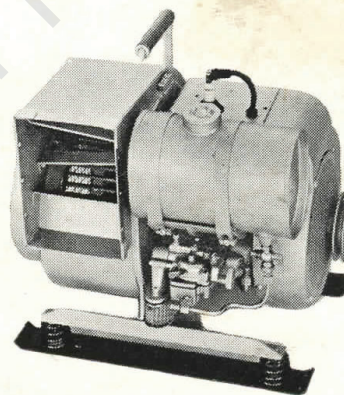
PUMPS

Self-Priming Centrifugal
Gasoline-Engine-Driven
Electric-Motor-Driven
Sizes: 1½", 2", 3"
Capacities: 5,500 to 15,000 gph



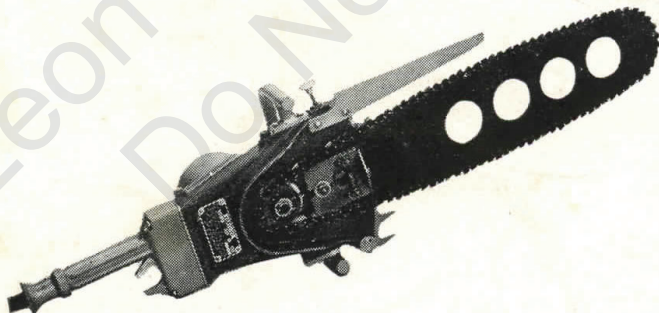
GENERATORS

Alternating or Direct Current
Gasoline-Engine-Driven
Sizes: 1000 to 4500 watts
Voltages: 6 to 220 volts
Frequencies: 50 to 400 cycles



BLOWERS

Smokejectors Ventilators
Gasoline-Engine-Driven
Capacities: 1500 to 5000 CFM



CHAIN SAWS

High-Cycle Electric and
Gasoline-Engine-Driven
One-Man and Two-Man
Straight Blade and Bows

HOMELITE CORPORATION • PORT CHESTER, N.Y., U.S.A.

Printed in U.S.A.