

# HOMELITE®

- ⓐ PARTS LIST
- ⓑ LISTE DE PIÈCES
- Ⓓ TEILELISTE
- Ⓔ LISTA DE PIEZAS
- ⓐ ELENCO DELLE PARTI

## 200 CHAIN SAW

UT10690

UT10699

UT10719

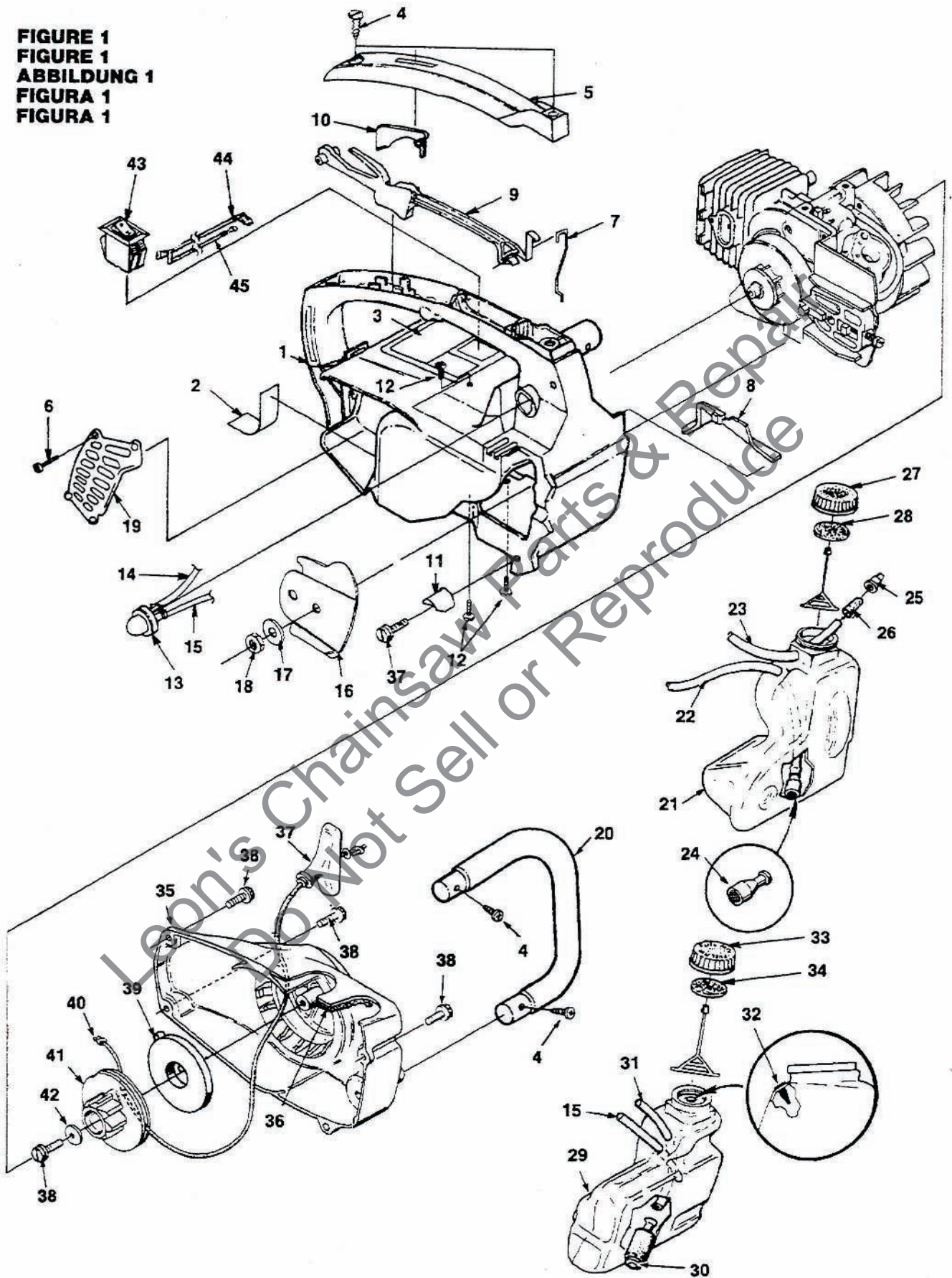
UT10723

## SUPER 2SL

UT10701

Printed in U.S.A.  
Imprimé aux E.-U.  
Gedruckt in U.S.A.  
Impreso en EE.UU.  
Stampato negli Stati Uniti  
P/N 18548

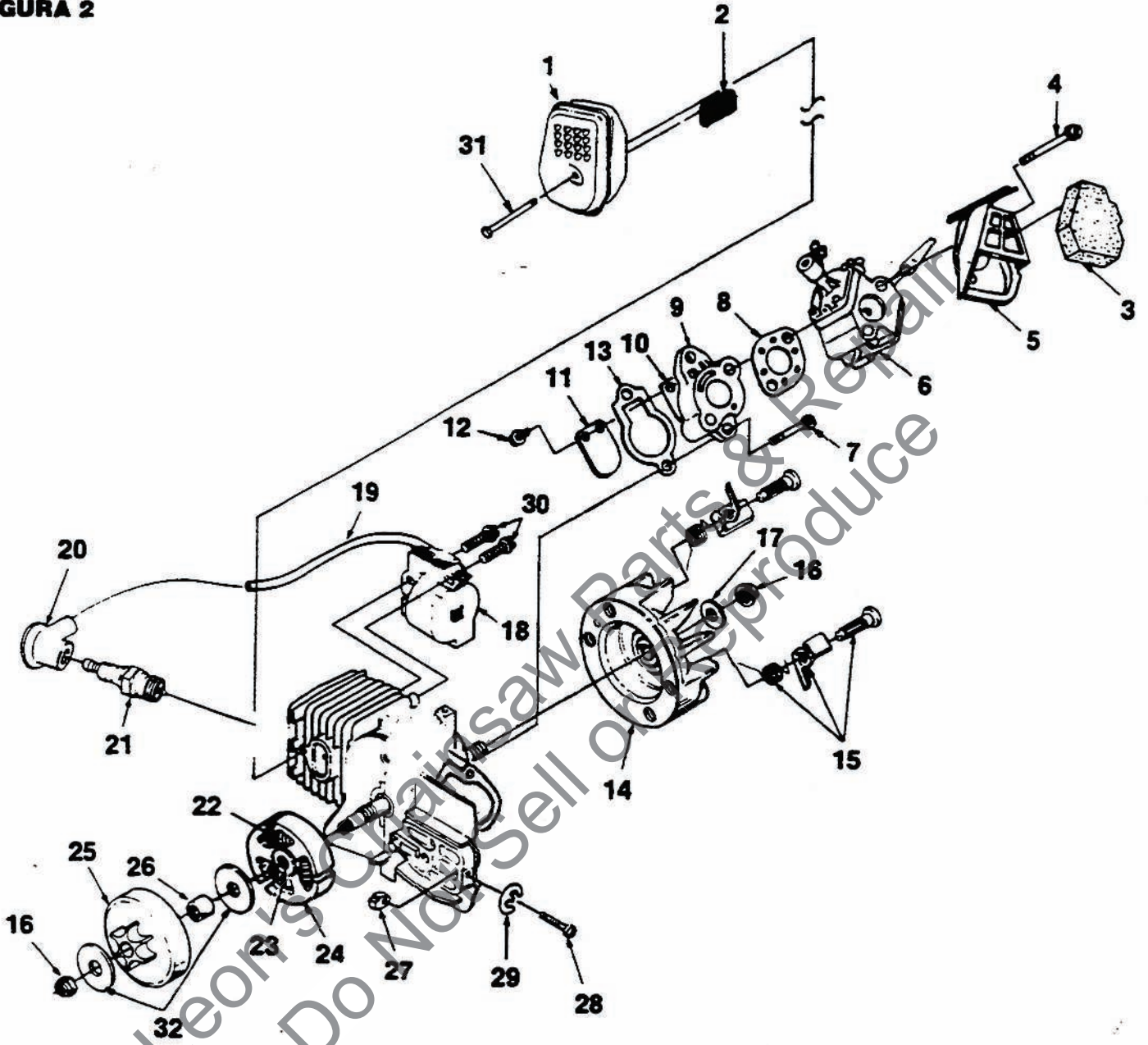
FIGURE 1  
FIGURE 1  
ABBILDUNG 1  
FIGURA 1  
FIGURA 1



No. No. Nr. No. N°	Part Number No. de Piéce Best.—Nr. No. de Piéza Pazzo N°	Description	Qty. Qté Menge Cont. Qta
1	• A-03058	HOUSING- Engine	1
2	02640	TAPE	1
3	02490	DECAL	1
	03271	DECAL	1
		(International Only)	
4	94065	SCREW- Pan, plastite (#10-16 x 3/4")	4
5	02495	COVER- Handle	1
6	82528	SCREW- Pan plastite (#6-3/8")	4
7	02501	ROD- Throttle	1
8	02481	COVER- Air filter	1
9	02492	TRIGGER	1
10	02493	LOCK- Trigger	1
11	95212	STOP- Chain	1
12	82538	SCREW- Torx, tapitite (#10-24 x 3/4")	4
13	02487	PRIMER BULB	1
14	01439-12	TUBING- Inlet (3")	1
15	70310-20	TUBING- Return (5")	1
16	68360-A	PLATE- Guide bar	1
17	69309-A	WASHER- Flat	1
18	81065-2	NUT- Hex	1
19	02785	SHIELD- Muffler	1
20	02496	HANDLE BAR	1
21	• A-02763	TANK- Oil	1
22	70310-36	TUBING- (9")	1
23	70310-19	TUBING	1
24	A-68593	FINDER- Oil	1
25	98819	VALVE- Check	1
26	69659-B	FITTING- Oil line	1
27	• A-97230-A	CAP-Oil	1
28	94494	GASKET- Cap	1
29	• A-02764	TANK- Fuel	1
30	49422	FILTER- Fuel	1
31	70310-22	LINE- Fuel	1
32	98819	VALVE- Check	1
33	• A-97230-A	CAP- Fuel	1
34	94494	GASKET- Cap	1
35	• A-02562-A	STARTER HOUSING ASSY.	1
36	69443	FILTER	1
37	02284	GRIP- Starter	1
	82563	SCREW- Torx, plastite (#10 x 3/4")	6
			1
39	A-97908	SPRING & CONTAINER	1
40	97899	ROPE- Starter	1
41	97768-A	PULLEY- Starter	1
42	94062	WASHER- Retaining	1
43	02497	SWITCH	1
44	A-02482	LEAD- w/Flag Term.	1
45	A-02484	LEAD- w/Ring Term.	1

- Assemblies
- Ensemble
- Bausätze
- Complessi
- Conjunto

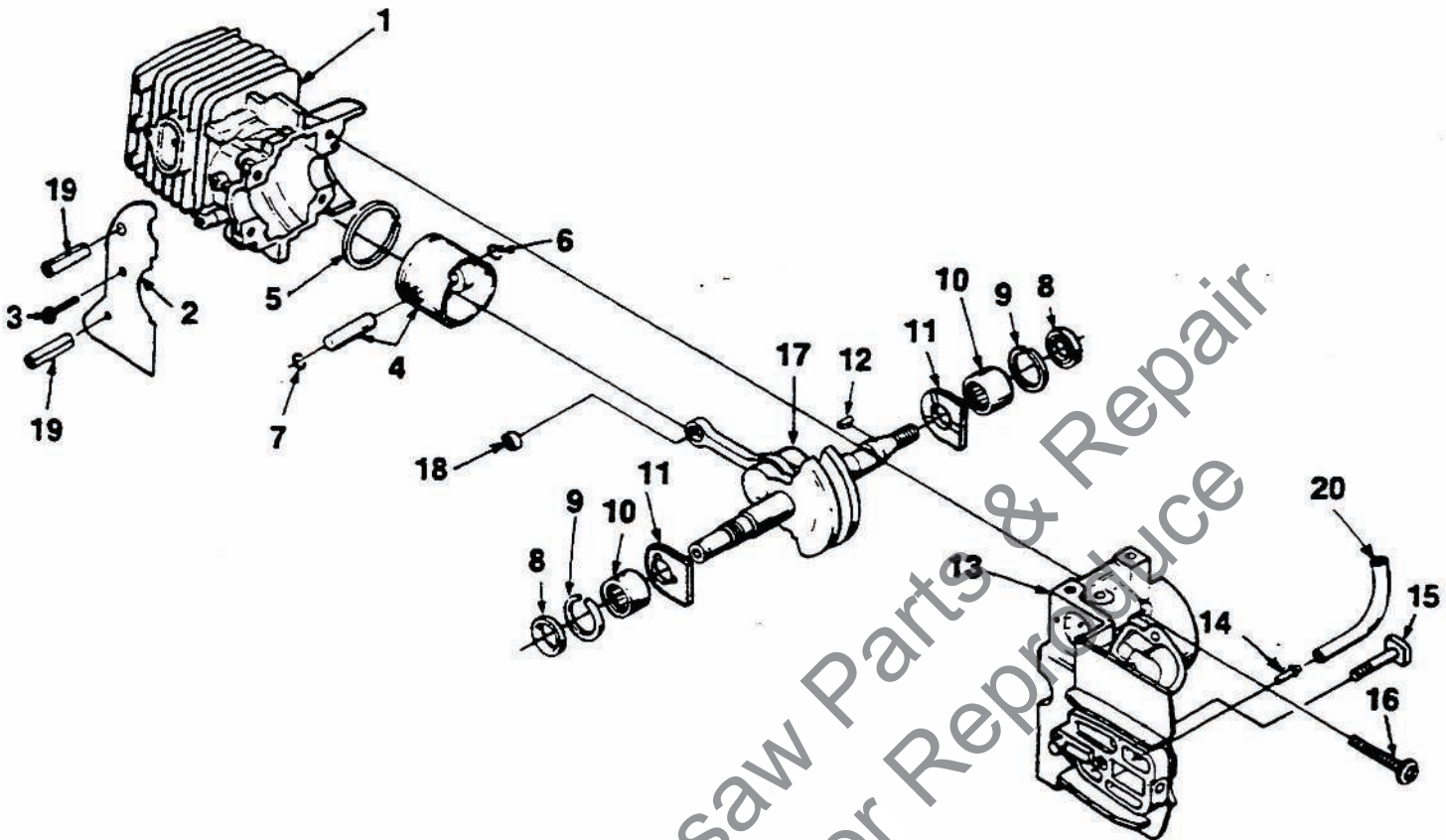
**FIGURE 2**  
**FIGURE 2**  
**ABBILDUNG 2**  
**FIGURA 2**  
**FIGURA 2**



No. No. Nr. No. N°	Part Number No. de Pièce Best.—Nr. No. de Pieza Pezzo N°	Description	Qty. Qté Menge Cant. Qta
1	A-02459	MUFFLER	1
2	02458	SCREEN- Spark arrestor	1
3	02500	FILTER- Air	1
4	82578	SCREW- Shoulder plastite (#10-24 x 1 3/4")	2
5	02491	BOX- Air filter	1
6	A-02486	CARBURETOR & OIL PUMP ASSY.	1
7	82549	SCREW- Torx taptite, thd. forming (10-24 x 1")	2
8	02488	GASKET- Carburetor	1
9	A-02499	HEAT DAM	1
10	95983	REED	1
11	03205	STOP- Reed	1
12	82498	SCREW- Hex Taptite (4-40 x 3/8")	2
13	02453	GASKET- Intake manifold	1
14	A-95007	ROTOR & STARTER PAWL	1
15	A-70285-E	KIT- Starter pawl	1
16	81229	NUT- (5/16-24)	2
17	84065	WASHER- (5/16")	1
18	94711-BS	MODULE	1
19	69326	LEAD- Hi-Tension	1
20	A-33055	TERMINAL	1
21	96169-S	SPARK PLUG (Champion DJ7Y)	1
	79252	SPARK PLUG (Champion RDJ7Y) (International Only)	1
22	98066	SPRING- Clutch	3
23	79221	SPIDER- Clutch	1
24	79222-A	SHOE- Clutch	3
25	A-95653-C	SPROCKET & DRUM	1
26	70277	BEARING	1
27	69254-2	PIN- Adjusting	1
28	A-00440	SCREW & E-RING KIT	1
29	93574	E-RING	1
30	82248	SCREW- Machine hex sems (#8-32 x 3/4")	2
31	93460	SCREW- Machine hex sems (10-24 x 1 7/8")	1
32	95299	WASHER- Thrust	2

- Assemblies
- Ensemble
- Bausätze
- Complessi
- Conjunto

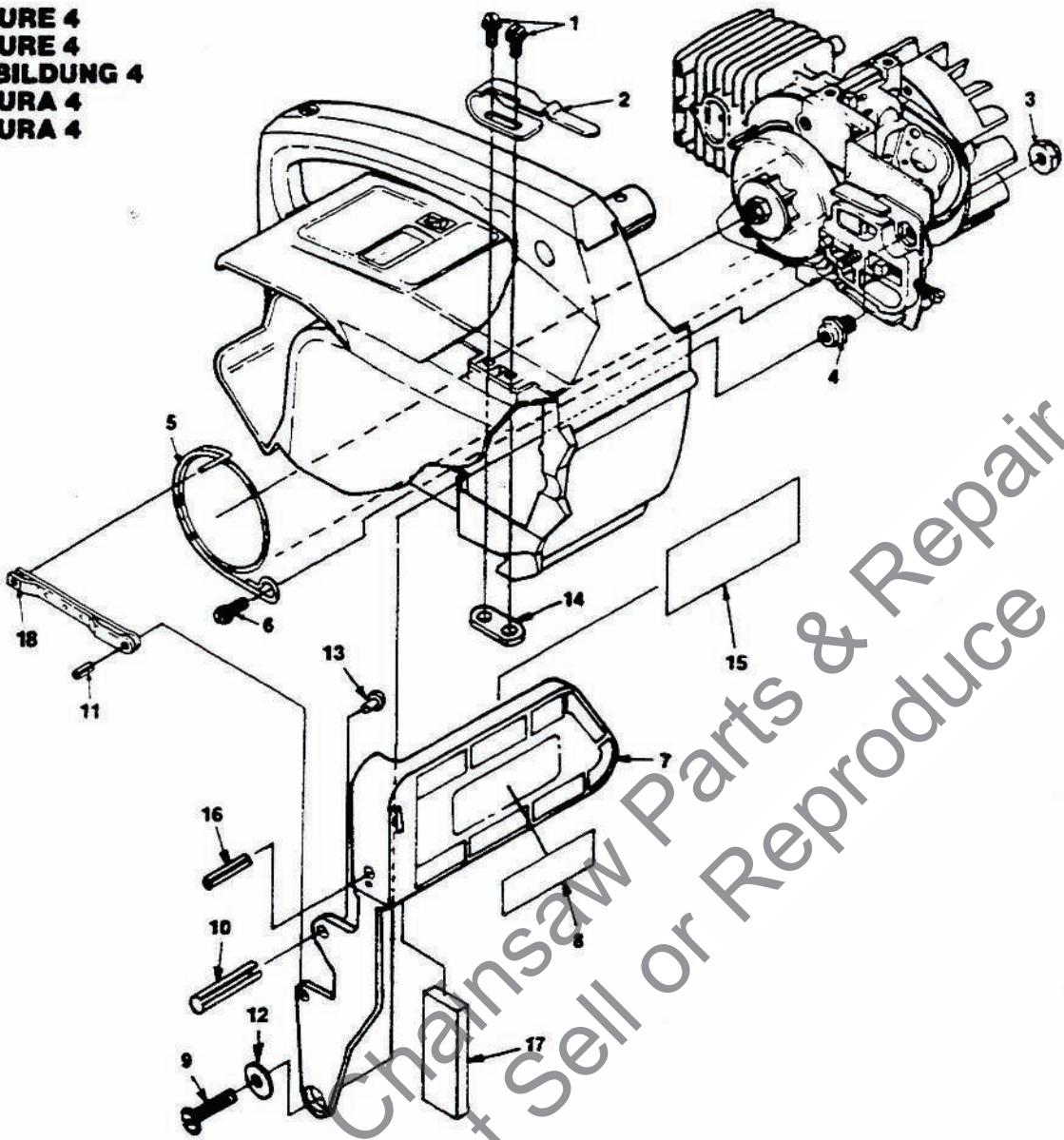
FIGURE 3  
 FIGURE 3  
 ABBILDUNG 3  
 FIGURA 3  
 FIGURA 3



No. No. Nr. No. №	Part Number No. de Piéce Best.-Nr. No. de Piéza Pezzo №	Description	Qty. Qté Menge Cant. Qtá
1	02485-2	CYLINDER	1
2	02639	SHIELD- Sawdust	1
3	93932	SCREW- Tapping (#6-32 x 5/16")	1
4	• A-98967-A	PISTON & PIN ASSY.	1
5	93165	RING- Piston	1
6	65261	RING- Retaining	1
7	98096	RING- Retaining	1
8	94638	SEAL	2
9	69407	SPACER	2
10	12530	BEARING- Needle	2
11	02464	WASHER- Thrust	2
12	69250	KEY	1
13	• A-03060	CRANKCASE ASSY.	1
14	94619	FITTING	1
15	69195	BOLT- Guide bar, thd. forming	1
16	82567	SCREW- Torx pan hd. (10-24 x 1 1/8")	4
17	• A-03059	CRANKSHAFT ASSY.	1
18	02035	BEARING	1
19	70763	PIN- Roll (5/32 x 1 1/8") (Brake Mod. Only)	2
20	70309-17	TUBING- Rubber (Oil line) (4 1/4")	1

- Assemblies
- Ensemble
- Bausätze
- Complessi
- Conjunto

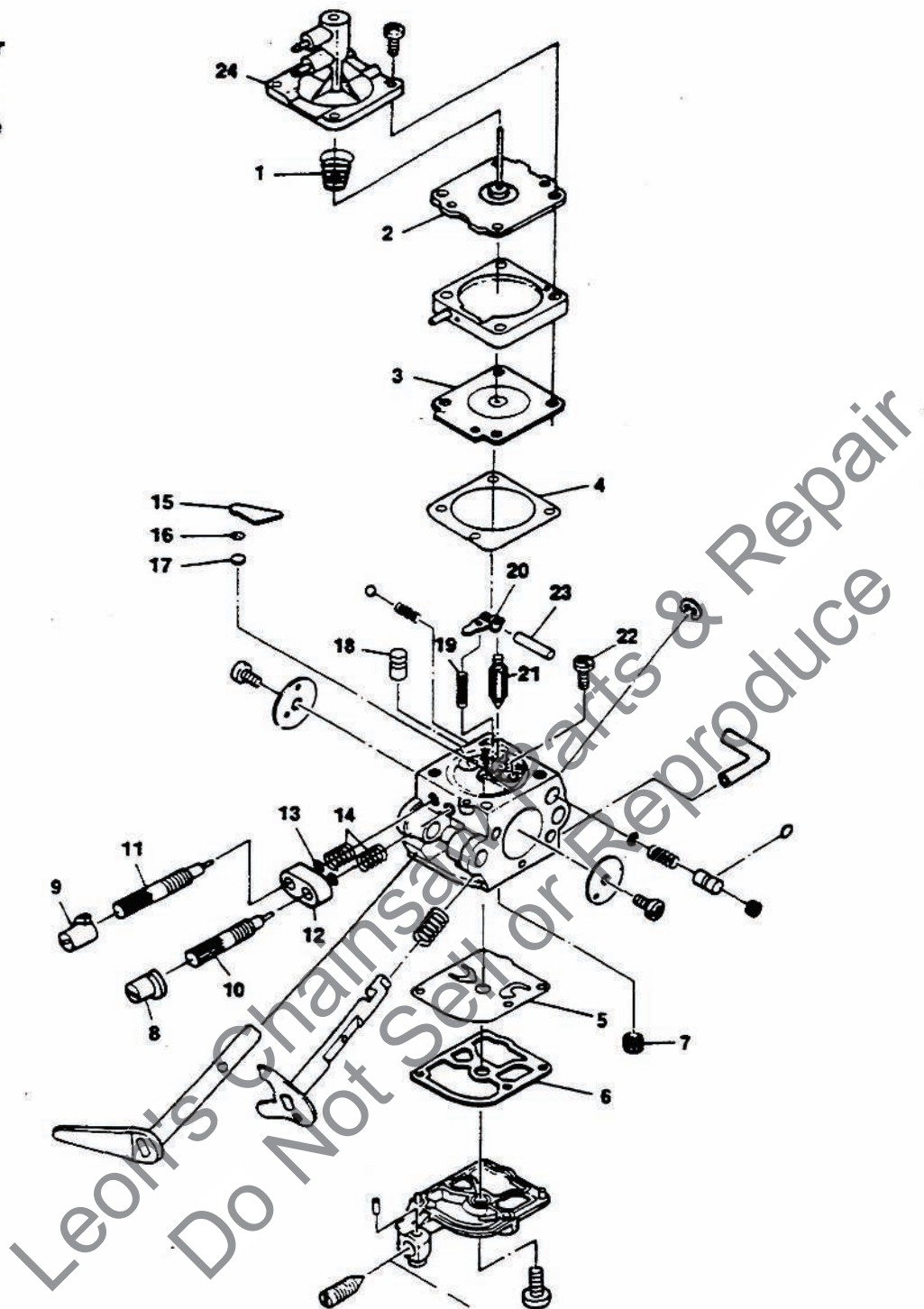
FIGURE 4  
 FIGURE 4  
 ABBILDUNG 4  
 FIGURA 4  
 FIGURA 4



No. No. Nr. No. N°	Part Number No. de Pièce Best.-Nr. No. de Pieza Pezzo N°	Description	Qty. Qté Menge Cant. Qta
1	88066	SCREW- Hex hd. w/washer (8-32 x 1/2")	2
2	02635	CLIP- Retaining	1
3	81124-A	NUT- Hex	1
4	70636	POST- Chain brake	1
5	70637-B	BAND- Brake	1
6	82579	SCREW- Torx (10-24 x 5/8")	1
7	A-03061	HANDGUARD & LEVER	1
8	02661	DECAL (International Only)	1
9	82166	SCREW- (10-32 x 1/2")	1
10	JA-46138-3	PIN- Roll (3/16 x 1")	1
11	95395-A	PIN- Spring	1
12	70632	WASHER- Flat	1
13	82367	SCREW- Drive	1
14	02637	NUT- Weld	1
15	02661	DECAL- Handguard	1
16	JA-46136-1	PIN- Roll (1/8 x 7/8") (International Only)	1
17	02462	WEIGHT (International Only)	1
18	A-70767	PIVOT- Link	1

- Assemblies
- Ensemble
- Bausätze
- Compressi
- Conjunto

**Carburetor**  
**Carburateur**  
**Vergaser**  
**Carburador**  
**Carburatore**



**Repair Kit- 02768 (1-23)**  
**Jeu de réparation**  
**Reparatur- Satz**  
**Juego de reparación**  
**Kit de Riparazione**

**Oil Pump Plunger Kit- 02773 (1-2)**  
**Jeu de piston de pompe à huile**  
**Ölpumpenkolben- Bausatz**  
**Conjunto del émbolo de la bomba de aceite**  
**Kit pistone de la pompa dell'olio**

**Gasket/Diaphragm Kit- 02769 (3-6)**  
**Jue joint/diaphragme**  
**Dichtung/Membrane- Satz**  
**Conjunto diafragma/junta**  
**Kit diaframma/guarnizione**

**Oil Pump Body- 02770 (24)**  
**Corps de pompe à huile**  
**Ölpumpengehäuse**  
**Cuerpo de la bomba de aceite**  
**Corpo de la pompa dell'olio**



**ACCESSORIES  
ACCESSOIRES  
ZUBEHÖR  
ACCESSORIES  
ACCESORIOS**

**KIT- Repair (sprocket nose bar)..... A-70239-E**  
**Jeu de réparation (Lame à nez à pignon)**  
**Reparatursatz (Kettenrad-Nasenspitze)**  
**Kit per riparazioni (denta punta lama)**  
**Juego de reparación (extremo barra rueda dentada)**

**FUEL LINE (10 ft. length) ..... 70310-99**  
**Conduite de carburant (3 m de long)**  
**Kraftstoffleitung (3 m Länge)**  
**Condotto d'alimentazione (3 m di lunghezza)**  
**Línea de combustible (10 pies de largo)**

**OIL LINE- (10 ft length)..... 70309-99**  
**Conduite d'huile (3 m de long)**  
**Ölleitung (3 m Länge)**  
**Condotto dell'olio (3 m di lunghezza)**  
**Línea de aceite (10 pies de largo)**

**SAFE•T•TIP® (Standard) ..... DA-70776-B**  
**SAFE•T•TIP® (Standard)**  
**SAFE•T•TIP® (Standard)**  
**SAFE•T•TIP® (Standard)**  
**SAFE•T•TIP® (Standard)**

**GREASE- Multi Purpose (Sprocket bearing-PT guide bar) ..... 18453**  
**Graisse universelle (Palier de pignon-PT - lame-guide)**  
**Mehrzweck-Schmiermittel (Kettenradlager-PT-Führungsschiene)**  
**Grasso, multiuso Cuscinetto della ruota dentata - PT - barra di guida)**  
**Grasa de uso general (Cojinete de la rueda dentada - PT - barra guía)**

**CARRYING CASE ..... 94215-A**  
**Boîtier de transport**  
**Tragekasten**  
**Custodia**  
**Maletín**

**STARTING ROPE (250 ft. Reel)..... 98052-A**  
**Cordon de lanceur (75 m bobine)**  
**Seil (76 m Spule)**  
**Corda d'avviamento (bobina da 76 m)**  
**Cuerda de arranque (carrete de 76 m)**

**TOOLS  
OUTILS  
WERKZEUGE  
ATTREZZI  
HERRAMIENTAS**

**WRENCH (combination)..... D-24814-A**  
**Clé combiné**  
**Schraubenschlüssel Kombination**  
**Chiave combinata**  
**Llave combinada**

**SILASTIC (crankcase sealing)..... 24823**  
**Silastic (étanchéité du carter)**  
**Silastic (Kurbelgehäuse Dichtung)**  
**Silastic (sigillo di tenuta del carter)**  
**Silastic (sello del cárter)**

**PULLER- Magneto Rotor ..... A-24747-A**  
**Extracteur, rotor magnéto**  
**Abziehwerkzeug-Magnetrotor**  
**Rotore d'estrazione a magnete**  
**Extractor-rotor de magneto**

**IGNITION TEST SPARK PLUG ..... JA-31316-4**  
**Testeur d'allumage**  
**Testzündkerze für Zündprüfung**  
**Candela di collaudo**  
**Bujía para probar el encendido**

**SHIM (0.015" AIR GAP)..... 22486**  
**Cale (écart de 0,38 mm)**  
**Distanzscheibe (0,38 mm Luftspalt)**  
**Spessore (spinterometro 0,38 mm)**  
**Suplemento (espacio de 0,38 mm)**

**T-25 TORX DRIVE BIT ..... 24982-01**  
**Foret torx T-25**  
**T-25 Torx-Antriebsbit**  
**Punta Torx Drive T-25**  
**Broca de empuje T-25 Torx**

**T-27 TORX DRIVE BIT..... 18586-01**  
**Foret torx T-27**  
**T-27 Torx-Antriebsbit**  
**Punta Torx Drive T-27**  
**Broca de empuje T-27 Torx**