

# PARTS LIST

# HOMELITE®



**XL-1A0**

Leon's Chain Saw Parts & Repair  
Do Not Sell or Reproduce

**HOMELITE-TERRY**  
**TEXTRON**

Homelite-Terry  
Division of Textron Canada Limited

180 Labrosse Ave., Pointe Claire, Que.



# Homelite XL-1AO

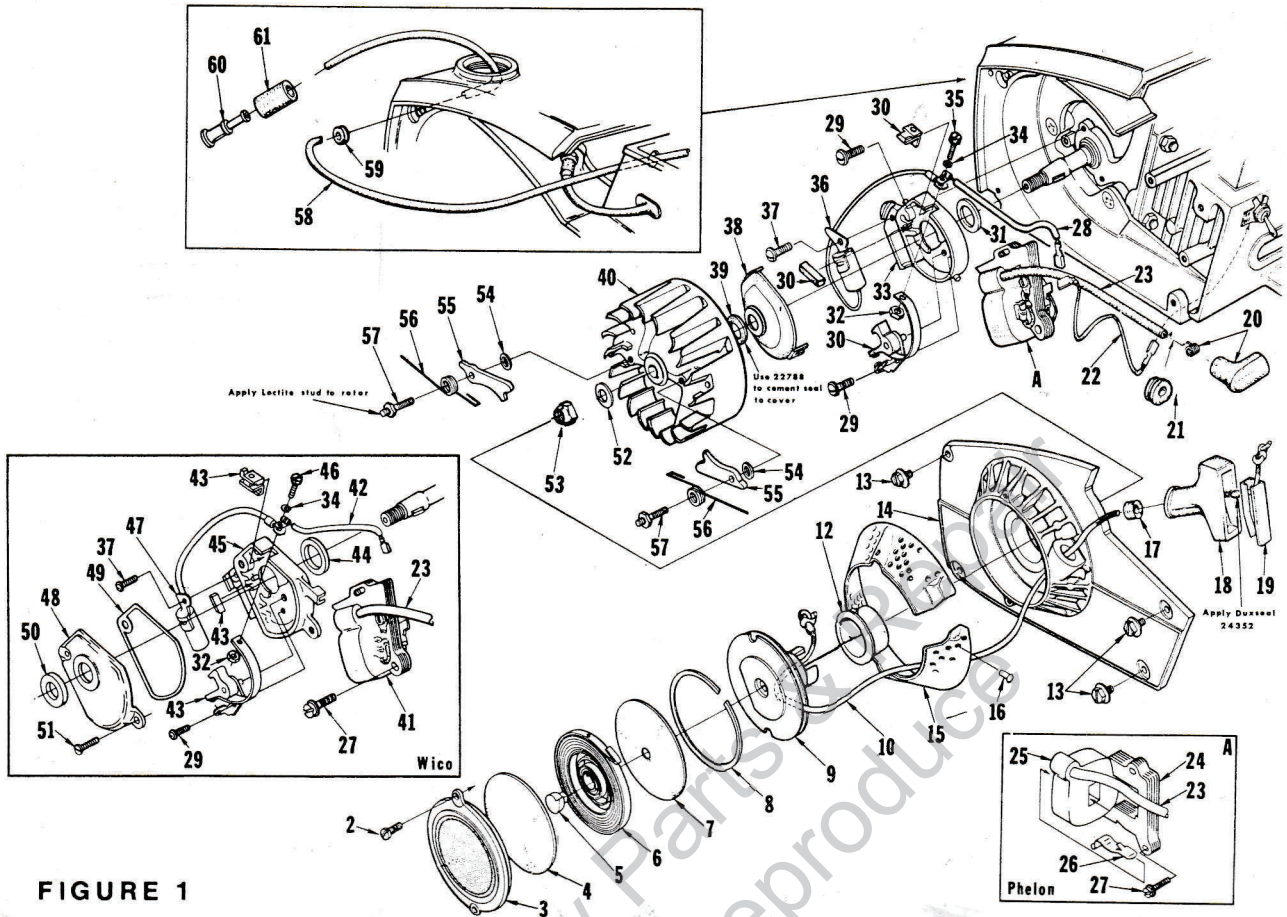


FIGURE 1

No.	Description	Part No.	Qty.	No.	Description	Part No.	Qty.
2	SCREW-pan, 8-32 x 3/8	80577	2	34	WASHER-lock, #6	83004-1	1
3	COVER-starter	65095-2	1	35	SCREW-hex, 6-32 x 7/16	(P) 67628	1
4	SHIELD-spring (inner)	65113	1	36	CONDENSER	(P) 65286	1
5	LOCK-spring	65102	1	37	SCREW-pan, 6-32 x 1/2	80630	1
6	SPRING-rewind	65107	1	38	COVER-breaker box	(P) A-65210-A	1
7	SHIELD-spring (outer)	65114	1	39	Includes: SEAL-felt	(P) 65211	1
8	RING-retaining	65125	1	40	ROTOR-magneto	(P) 65288-A	1
9	PULLEY & CUP	A-65170	1		ROTOR-magneto	(W) 68701	1
10	ROPE-starter, 46"	65118	1	41	COIL & CORE	(W) 68716	1
				42	LEAD GROUP-primary	(W) 68742	1
12	BUSHING-starter cup	68244	1	43	POINTS-breaker	(W) A-68710	1
13	SCREW-hex, 10-32 x 5/8	80704	4		Includes:		
14	HOUSING-rewind starter	A-65222-T	1	44	SEAL-felt	(W) 68705	1
	Includes:				WASHER-thrust (not shown)	(W) 28028	as req'd
15	SCREEN-air inlet	65189	1		LOCK-breaker arm (not shown)	(W) 28008	1
16	STUD-drive #2	67191	3	45	BOX-breaker	(W) 69508	1
17	BUSHING-starter rope	65185	1	46	SCREW-hex, 6-32 x 1/2	(W) 68700	1
18	GRIP-starter rope	65183	1	47	CONDENSER	(W) 68711	1
19	INSERT-rope retaining	68837-T	1	48	COVER-breaker box	(W) A-69507	1
20	TERMINAL-spark plug	A-33055	1		Includes:		
21	GROMMET-hi-tension lead	75036	1	49	GASKET-breaker box cover	(W) 69512	1
22	LEAD-ground	A-63939	1	50	SEAL-felt	(W) 68773-1	1
23	LEAD-hi-tension	65205	1	51	SCREW-cover mounting	(W) 68715	2
24	CORE-coil	(P) 68255	1	52	WASHER-flat, 5/16	84065-1	1
25	COIL-ignition	(P) 68256	1	53	NUT-hex, 5/16-24	81229	1
26	RETAINER-coil	(P) 68257	1	54	WASHER-Lock	83046	2
27	SCREW-coil core	82248	2	55	PAWL-starter	65108	2
28	LEAD GROUP-primary	(P) 65291	1	56	SPRING-starter pawl	65120	2
29	SCREW-pan, 6-32 x 3/8	80571	2	57	STUD-starter pawl	65109	2
30	POINTS-breaker	(P) A-65203-A	1	58	LINE-fuel	A-68053-A	1
31	Includes: SEAL-felt	(P) 65209	1	59	Includes: GROMMET	68046	1
32	NUT	65207	1	60	FILTER-fuel	A-69923	1
33	BOX-breaker	(P) 65206-A	1	61	Includes: FILTER-felt	64083-1	1

(P) Phelon (W) Wico

Complete magneto must be either Wico or Phelon. Phelon and Wico parts are not individually interchangeable.

ALWAYS FURNISH MODEL AND SERIAL NUMBER WHEN ORDERING PARTS.

# Homelite XL-1AO

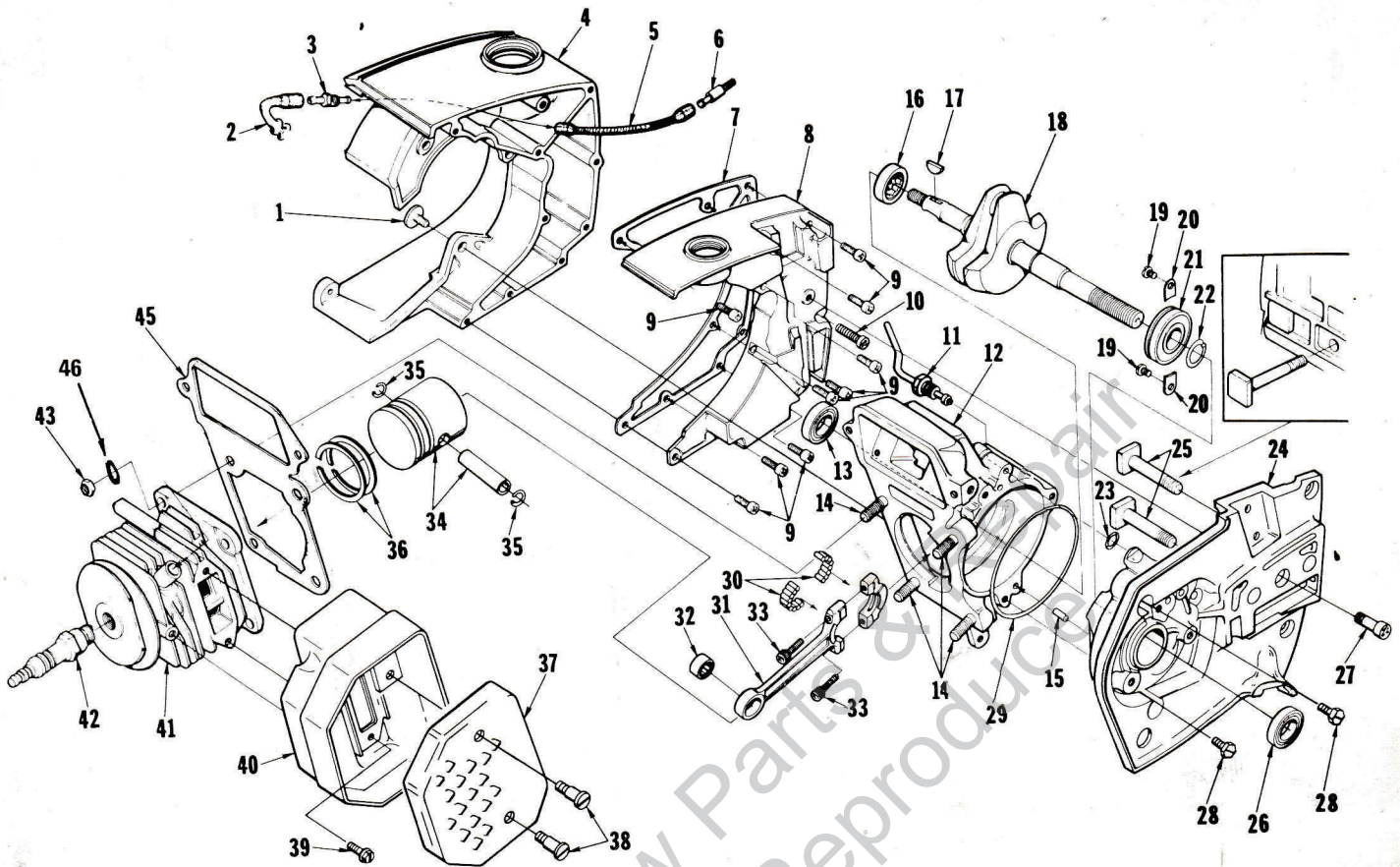


FIGURE 2

No.	Description	Part No.	Qty.	No.	Description	Part No.	Qty.
1	SCREW-retaining	65321-A	3	28	SCREW-hex, 12-24 x 5/8	80676	3
2	LINE-oil (flexible)	70310-06	1	29	"O" RING	65127	1
3	FITTING-oil line	65138-A	1	30	BEARING-needle (set of 28)	A-65009	1
4	TANK-fuel & oil	A-78419	1	31	ROD-connecting	A-68051	1
5	LINE-oil (pick up)	58340-B	1		Includes:		
6	FILTER-oil	A-64293	1	32	BEARING-needle	68512	1
7	GASKET-fuel & oil tank	65046	1	33	SCREW-soc, 8-32 x 9/16	69919	2
8	COVER-fuel & oil tank	65115-2	1	34	PISTON & PIN	A-78416	1
9	SCREW-fil, #8-x 5/8	78372	9		Includes:		
10	SCREW-fil, #8-x 1-1/2	78375	1	35	RING-piston pin retaining	64813	2
*11	LINE-oil	A-69334	1	36	PISTON RING	68508	2
*12	CRANKCASE	A-69260	1	37	CAP-muffler w/shield	68253-1	1
	Includes:			38	SCREW-shoulder	64133-A	2
13	SEAL	65019	1	39	SCREW-hex, 10-32 x 1/2	80648	3
14	STUD-cylinder	69438	4	40	BODY-muffler	A-65152-2	1
15	PIN-dowel	65153	1	41	CYLINDER- 1-9/16 dia.	A78418	1
16	BEARING-roller	65179	1	42	SPARK PLUG	78275	1
17	KEY-woodruff	65126	1	43	NUT-hex, 1/4-28	81065-2	4
18	CRANKSHAFT	65006-2	1	45	GASKET-cylinder	65018	1
19	SCREW-bearing retaining	70306	2	46	LOCKWASHER	83009	4
20	WASHER-lock special	63905	2				
21	BEARING-ball	65044-S	1				
22	RING-retaining	65045	1				
23	"O" RING	59074	1				
*24	DRIVECASE	A-78415	1				
	Includes:						
25	BOLT-guide bar	65025	2				
26	SEAL	65019	1				
27	SCREW-fil, drivecase retainer	65157-A	1				

\* Denotes new parts

# Homelite XL-1AO

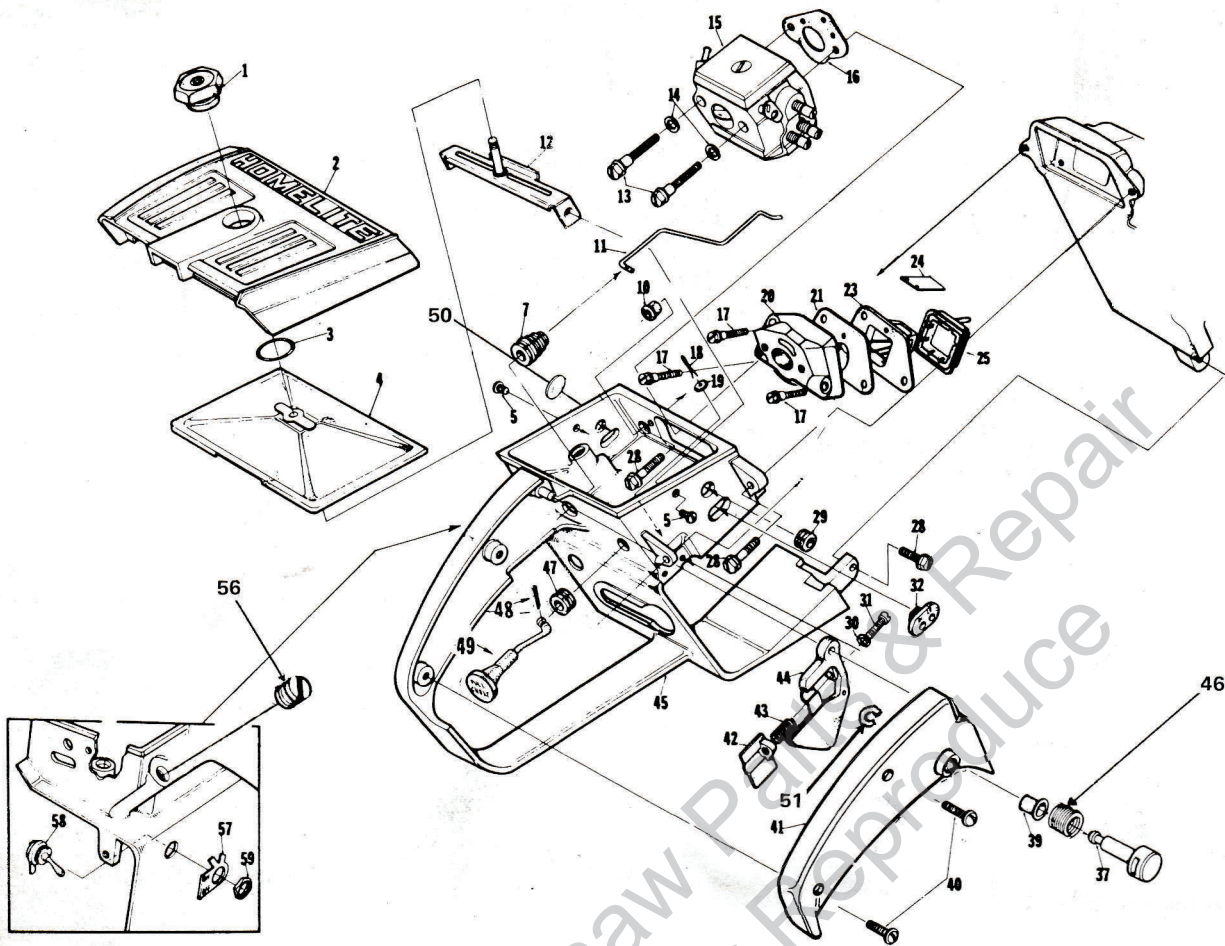
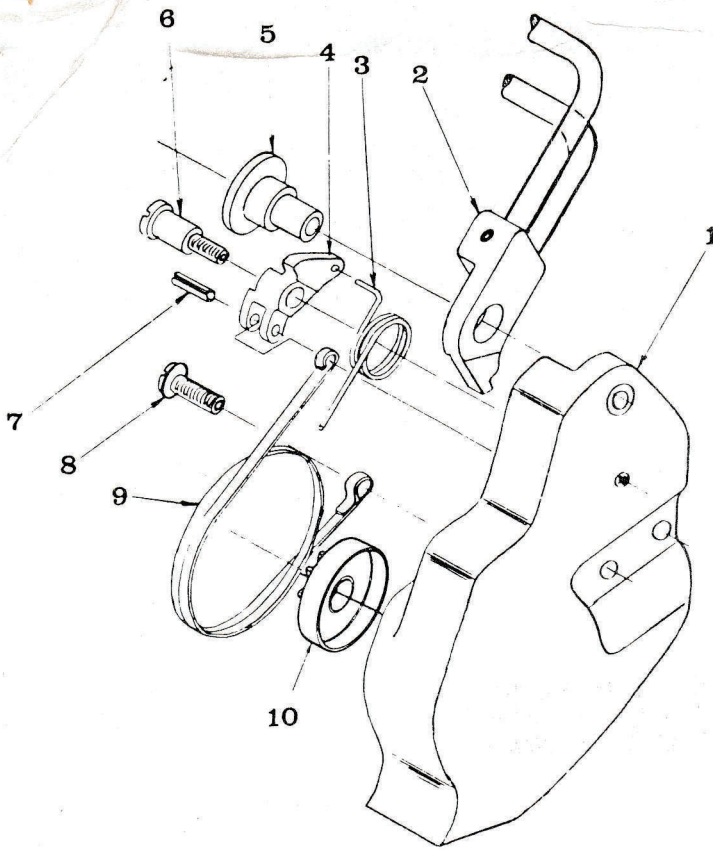


FIGURE 3

No.	Description	Part No.	Qty.	No.	Description	Part No.	Qty.
1	NUT - cover mounting	A-65272	1	32	GROMMET - "Hi - Lo"	68196	1
2	COVER - air filter	65096-6	1	37	PIN - trigger latch	58924-4	1
3	RING - retaining	58319-A	1	39	BUSHING	59064	1
4	FILTER ELEMENT - air	A-65178	1	40	SCREW - pan, 8-32 x 1/2	80560	2
5	SCREW - pan, 8-32 x 3/8	80577	2	41	COVER - throttle handle	65042-2B	1
7	BOOT - throttle rod	67634	1	42	STOP - throttle adjustment	65147-A	1
10	GROMMET - oil line	65085-1	1	43	SPRING - throttle stop	65188	1
11	ROD - throttle	65056	1	44	TRIGGER - throttle	65031-A	1
12	BRACKET - air filter cover	A-65123	1	45	HANDLE - throttle (see note)	A-65215-FT	1
13	SCREW - hex, 10-32 x 1-5/8	82165	2	46	SPRING	58405	1
14	WASHER - lock, #10	83046	2	47	GROMMET	64862	1
15	CARBURETOR	A-68415-A	1	48	PIN - cotter	86324	1
16	GASKET - carburetor	65016	1	49	ROD - choke	65072-1	1
17	SCREW - shoulder	64349-A	3	50	PLUG	53733	1
18	PIN - cotter	86301	1	51	RING, Retaining	58409	1
19	WASHER - felt	63290	1	56	PLUG	69332	1
20	SPACER - reed valve	A-65154-1A	1	57	PLATE - indicating "On-Off"	63910	1
21	GASKET - reed valve seat	65014-A	1	58	SWITCH - grounding	A-63938	1
23	SEAT - reed valve	65010	1	59	Includes: NUT - hex	72084-A1	1
24	REED - valve	65012-A	4				
25	RETAINER - reed valve	65011-A	1				
28	SCREW - hex, 10-24 x 5/8	80676	3				
29	GROMMET - idle adjustment	68197	1				
30	O-Ring	65260	1				
31	SCREW - pan, hd., 6-40 x 1	82198	1				

Note: Included are items 7, 29, 32, 50, 56 and item 58 shown on Fig. 1

# OPTIONAL CHAIN BRAKE KIT No. A-78605



No.	Description	Part No.	MINI	XL-1	Qty.
1	DRIVECASE COVER	94616-2	x	x	1
2	BRAKE LEVER & GUARD	A-69660-2	x	x	1
3	SPRING - Torsion	70093-B	x	x	1
4	LEVER	94615-1	x	x	1
5	SUPPORT - Vibration Mount	70506-A	x	x	1
6	SCREW - Shoulder	69551	x	x	1
7	PIN - Roll	67911	x	x	1
8	SCREW - Pan. Hd. (1/4-20 x 5/8)	82258	x	x	1
9	BAND - Brake	94614	x	x	1
10	SPROCKET & DRUM - 7 Tooth, 3/8 Pitch	A-78911	x	x	1

## ACCESSORIES

Description	Part Number
CARRY CASE	96585
COMPOUND- Seating (Duxseal) (Starter Rope)	24352
KIT- Heat Exchanger	A-67947
Includes:	
SCREW- 10-32 x .375	80870
KIT- Loctite	23488-B
KIT- Repair (Sprocket Nose Bar) PT	A-69942
KIT- Repair (Sprocket Nose Bar) SP	A-69921-A
ROPE- Starter (100 ft.)	no. 4
DEVICE- Anti-Kickback	A-70790-T
Includes:	
SCREW- no. 1/4-20 x 5/8	82335
TUBING- Rubber (Fuel Line) 10'	93112-99
GREASE- Multi Use	17193
SPRAY CAN- Black	22772
SPRAY CAN- Red	23475

## TOOLS

Description	Part Number
ANVIL - Crankshaft Installation	24299
BIT - no. 2 Pozidriv	24304
BIT- no. 3 Pozidriv	24320
COLLAR - Bearing Installation	24295
DRIVER - Check Valve (Carburetor)	24972
JACKSCREW - Crankshaft Installation	A-24309
PLUG - Bearing & Seal Installation	24298
PLUG - Bearing Installation	23756
PLUG - Wrist Pin Bearing Installation	24294-1
PLUG - Seal & Bearing Removal	24292
PULLER - Magneto Rotor	A-24290
Includes:	
SCREW - Rotor Removed (4)	24301
RING - Retaining (4)	67912
SLEEVE - Bearing & Shaft Installation	23136-1
SLEEVE - Crankshaft Bearing Installation	24300
SLEEVE - Seal Protecting (Crankcase)	24297
SLEEVE - Seal Protecting (Drivecase)	24291
WRENCH - Spanner (3 Shoe Clutch)	A-24060
Includes:	
PIN - Dowel (3)	64309-1
BIT - Driver (Torx) 1/4" Shank	24982-01
BIT - Driver (Torx) 5/16" Shank	24982-02
WRENCH - Combination	A-24284
WRENCH - Spanner ("S" Clutch)	A-93791
Includes:	
PIN - Clutch Spanner (2)	23717-A
WRENCH- Spanner	A-23696-A
REAMER- Compression Valve Seat Cleaning	A-24138
GAUGE- Feeler (.015) Point Set	22486
GAUGE- Feeler (.125) Rotor-Coil Air Gap	24306

WRENCH- Spanner 3-Shoe Clutch A-17146  
(New Style)

**HOMELITE®**

Leon's Chainsaw Parts Repair  
Do Not Sell or Reproduce

**HOMELITE-TERRY**  
**TEXTRON**