

PARTS LIST

REV. 2

HOMELITE®



XL-1

Leon's Chainsaw Parts & Repair
Do Not Sell or Reproduce



PART NO. 24323T
REV. 2 - 4/71

TERRY INDUSTRIES
A DIVISION OF **textron** CANADA LIMITED

180 Labrosse Ave., Pointe Claire, Que.



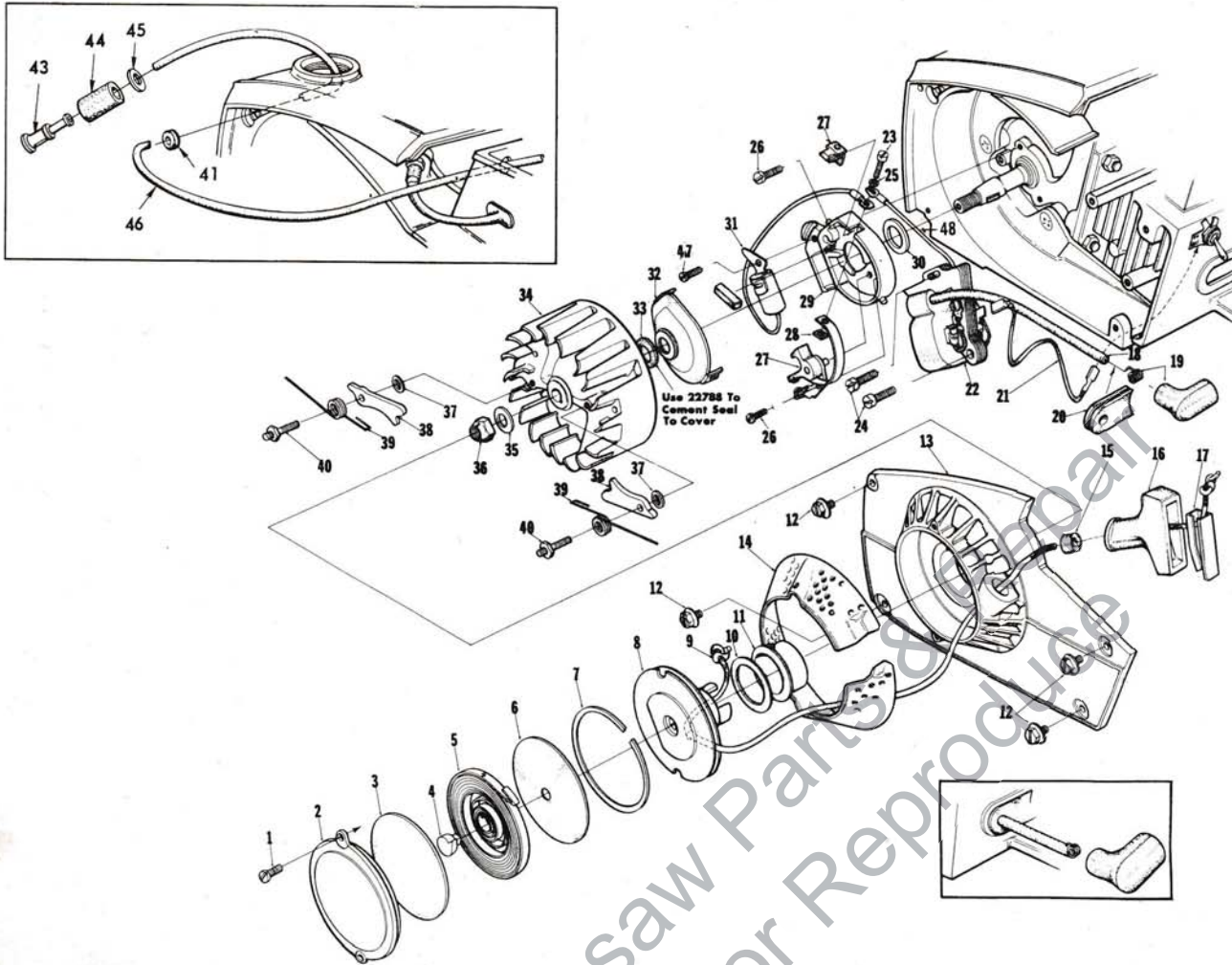


FIGURE 1

No.	Description	Part No.	Qty.	No.	Description	Part No.	Qty.
1	SCREW - pan, 8-32 x 3/8	80577	2	*24	SCREW - unit	64021	2
*2	COVER - starter	65095-2	1	*25	WASHER - lock, #6	83004	1
*3	SHIELD - spring (inner)	65113	1	*26	SCREW - pan Hd, 6-32 x 3/8	80571	2
*4	LOCK - spring	65102	1	*27	POINTS - breaker	A-65203-A	1
*5	SPRING - rewind	65107	1	*28	NUT - square	65207	1
*6	SHIELD - spring (outer)	65114	1	*29	BOX - breaker	65206-A	1
*7	RING - retaining	65125	1	*30	SEAL - felt	65209	1
*8	PULLEY & CUP ASSY.	A-65170	1	*31	CONDENSER	65286	1
*9	ROPE - starter	65118	1	*32	COVER - breaker box	A65210-A	1
*10	SHIELD - pulley	65103	1	*33	Includes: SEAL - felt	65211	1
*11	BUSHING - starter cup	65116	1	*34	ROTOR - magneto	65288	1
*12	SCREW - hex, 10-32 x 5/8	80704	4	35	WASHER - flat, 5/16	84065-1	1
*13	HOUSING - rewind starter	A-65222	1	36	NUT - hex, 5/16-24	81112	1
*14	Includes: SCREEN - air inlet	65189	1	*37	WASHER - starter pawl	65110	2
*15	BUSHING - starter rope	65185	1	*38	PAWL - starter	65108	2
*	RIVET - screen ret.	85133	3	*39	SPRING - starter pawl	65120	2
*16	GRIP - starter rope	65183	1	*40	STUD - starter pawl	65109	2
*17	INSERT - rope retaining	64154	1	*41	GROMMET	68046	1
*18	LEAD - hi-tension	65205	1				
*19	TERMINAL - spark plug	A-65198	1	43	FILTER - fuel	A-63920	1
*20	GROMMET - hi-tension lead	65135	1	44	Includes: FILTER - felt	64083-1	1
*21	LEAD - ground	A-63939	1	45	WASHER	64182	1
*22	CORE & COIL	A-65289	1	*46	LINE - fuel	68045	1
*23	SCREW, Hex, Hd (6-32 x 7/16)	67628	1	*47	SCREW, Pan Hd. (6-32 x 1/2)	80630	1
	*Denotes new parts			*48	LEAD - primary	65291	1

Homelite XL-1

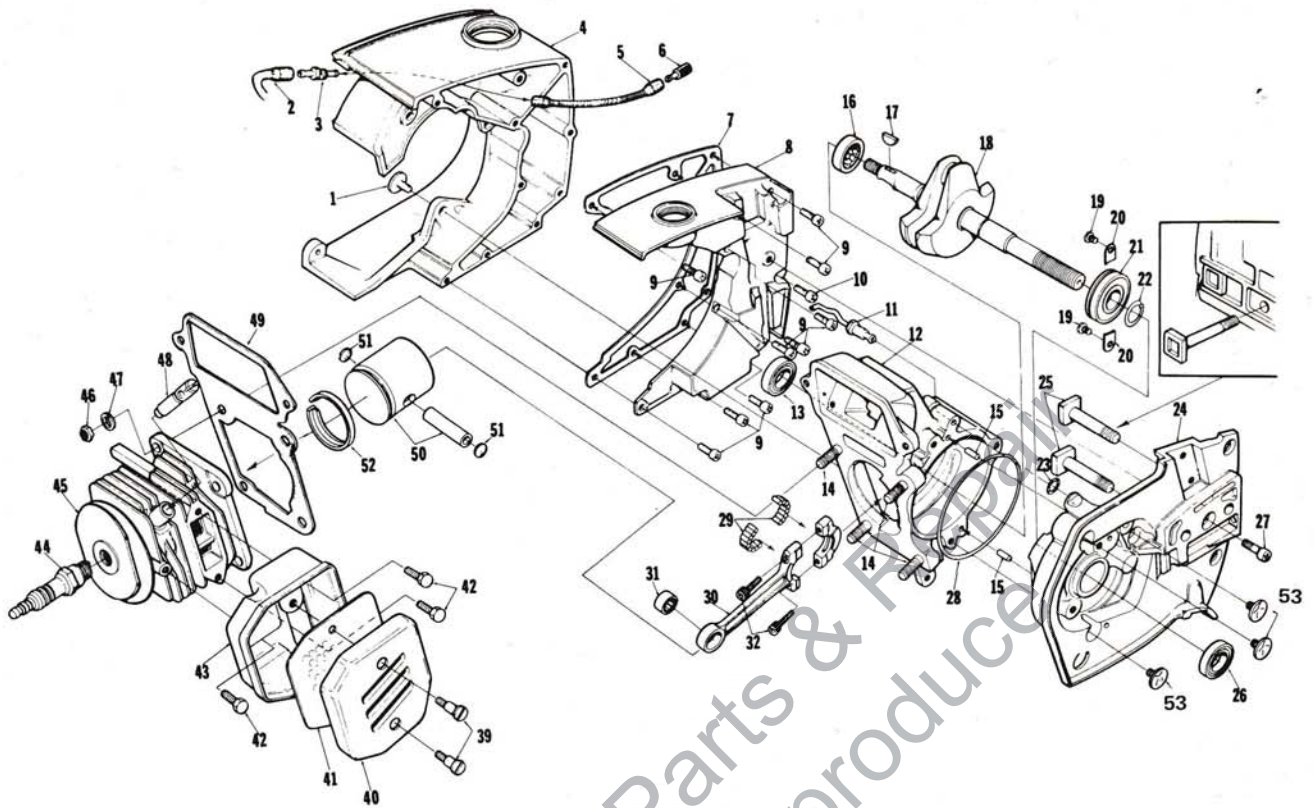


FIGURE 2

No.	Description	Part No.	Qty.	No.	Description	Part No.	Qty.
1	SCREW - retaining	65321	3	*24	DRIVECASE	A-65200T	1
*2	LINE - oil	65137	1	*25	Includes: BOLT - guide bar	65025	2
*3	FITTING - oil line	65138	1	*26	SEAL	65019	1
*4	TANK - fuel and oil	65037-2T	1	*27	SCREW - fil., drivecase retainer	65157	1
5	LINE - oil (pickup)	58340-B	1	*28	"Q" RING	65127	1
*6	FILTER - oil	A-65172	1	*29	BEARING - needle (set of 28)	A-65009	1
*7	GASKET - fuel and oil tank	65046	1	*30	ROD - connecting	A-65213	1
*8	COVER - fuel and oil tank	65115-2T	1	*31	Includes: BEARING - needle	65007	1
9	SCREW - fil., 8-32 x 5/8	82146	9	*32	SCREW - socket, 8-32 x 9/16	80805	2
10	SCREW - fil., 8-32 x 1-7/16	82187	1	*39	SCREW - shoulder	64133-A	2
*11	LINE - oil	A-65214	1	*40	CAP - muffler	65066-1T	1
*12	CRANKCASE	A-65202	1	*41	BAFFLE - muffler	65067	1
*13	Includes: SEAL	65019	1	*42	SCREW - hex, 10-32 x 1/2	80648	3
14	STUD - cylinder	55871	4	*43	BODY - muffler	A-65153-2	1
*15	PIN - dowel	65153	2	44	SPARK PLUG	63547-S	1
*16	BEARING - roller	65179	1	*45	CYLINDER - (1-1/2" dia.)	121333	1
*17	KEY - woodruff	65126	1	46	NUT - hex, 1/4-28	81065-2	4
*18	CRANKSHAFT	65006-2	1	47	WASHER - lock, 1/4	83009	4
19	SCREW - bearing retaining	59704	2	*48	VALVE - compression release	A-65184	1
20	WASHER - lock special	63905	2	*49	GASKET - cylinder	65018	1
21	BEARING - ball	65044-S	1	*50	PISTON & PIN - (1-1/2" dia.)	A-65197-A	1
*22	RING - retaining	65045	1	*51	Includes: RING - piston pin retain.	65261	2
23	"O" RING	59074	1	*52	PISTON RING - "L" Shaped	65193	1
					*Denotes new parts		
				53	SCREW - Hex. Hd., 12-24 x 5/8	80676	3

ALWAYS FURNISH SAW MODEL AND SERIAL NUMBER WHEN ORDERING PARTS.

Homelite XL-1

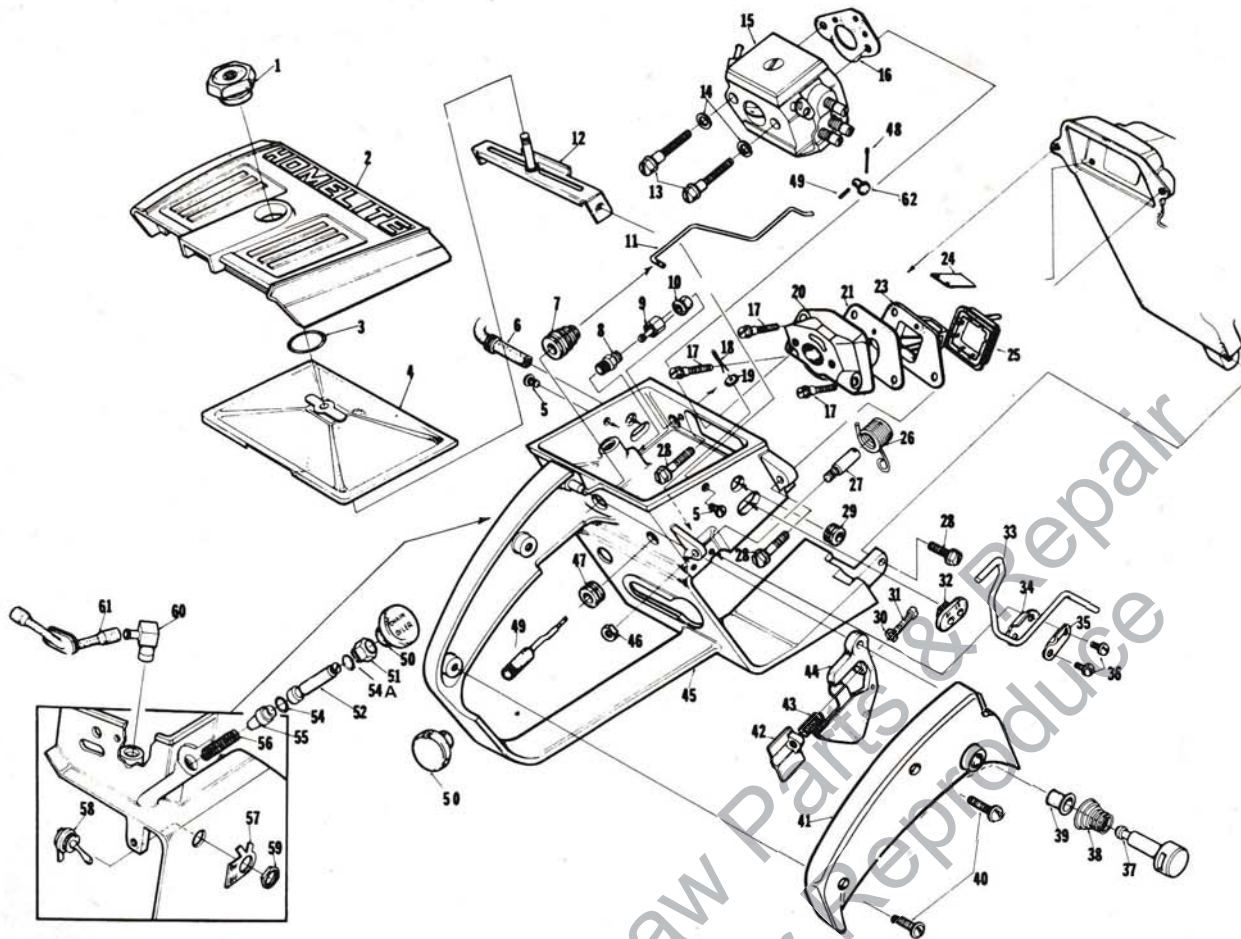


FIGURE 3

No.	Description	Part No.	Qty.	No.	Description	Part No.	Qty.
*1	NUT - cover mounting	A-65272	1	*32	GROMMET - "Hi - Lo"	68196	1
*2	COVER - air filter	65096-3T	1	33	LEVER - release	65173	1
3	RING - retaining	58319-A	1	34	PLATE - lever	65092	1
*4	FILTER ELEMENT - air	A-65178	1	35	CLAMP - lever	65093	1
5	SCREW - pan, 8-32 x 3/8	80577	2	36	SCREW - pan, 6-32 x 3/8	80571	2
*6	LINE - fuel	68045	1	37	PIN - trigger latch	65171-A	1
*7	BOOT - throttle rod	67634	1	*38	SPRING - throttle lock	64677	1
*8	VALVE - check	A-65077-T	1	39	BUSHING	67752	1
*9	LINE - oil	A-65214	1	40	SCREW - pan, 8-32 x 1/2	80560	2
*10	GROMMET - oil line	65085	1	*41	COVER - throttle handle	65042-2B	1
*11	ROD - throttle	65056	1	*42	STOP - throttle adjustment	65147-A	1
*12	BRACKET - air filter cover	A-65123	1	*43	SPRING - throttle stop	65188	1
*13	SCREW - hex, 10-32 x 1-5/8	82165	2	*44	TRIGGER - throttle	65031	1
14	WASHER - lock, #10	83046	2	*45	HANDLE - throttle	A-65215-ET	1
*15	CARBURETOR	A-68415	1	46	NUT, flexlock	81126	1
*16	GASKET - carburetor	65016	1	47	GROMMET	58362	1
17	SCREW - shoulder	64349-A	3	48	PIN - cotter	86324	1
18	PIN - cotter	86301	1	*49	ROD - choke	A-121264	1
19	WASHER - felt	63290	1	50	BUTTON	57289-1	2
*20	SPACER - reed valve	A-65154-1A	1	*51	NUT - plunger	121293	1
*21	GASKET - reed valve seat	65014	1	*52	ROD - plunger	A-65199-T	1
*23	SEAT - reed valve	65010	1	54	Includes: "O" RING	58406	1
*24	REED - valve	65012	4	54A	"O" RING	59074	1
*25	RETAINER - reed valve	65011-A	1	*55	PLUNGER - oil pump	65081-AT	1
26	SPRING - release valve	65174	1	*56	SPRING - plunger	65080	1
27	POST - spring	65023	1	57	PLATE - indicating "On-Off"	63910	1
28	SCREW - hex, 10-24 x 5/8	80676	3	58	SWITCH - grounding	A-63938	1
*29	GROMMET - idle adjustment	68197	1	59	Includes: NUT - hex	72084-A1	1
*30	O-Ring	65260	1	*60	VALVE - check (inlet) (part of item 45)	A-65076	1
*31	SCREW - pan, hd., 6-40 x 1	82198	1	*61	LINE - oil	65137	1
				*62	LINK, rod	121266	1

*Denotes new parts

ALWAYS FURNISH SAW MODEL AND SERIAL NUMBER WHEN ORDERING PARTS.

Homelite XL-1

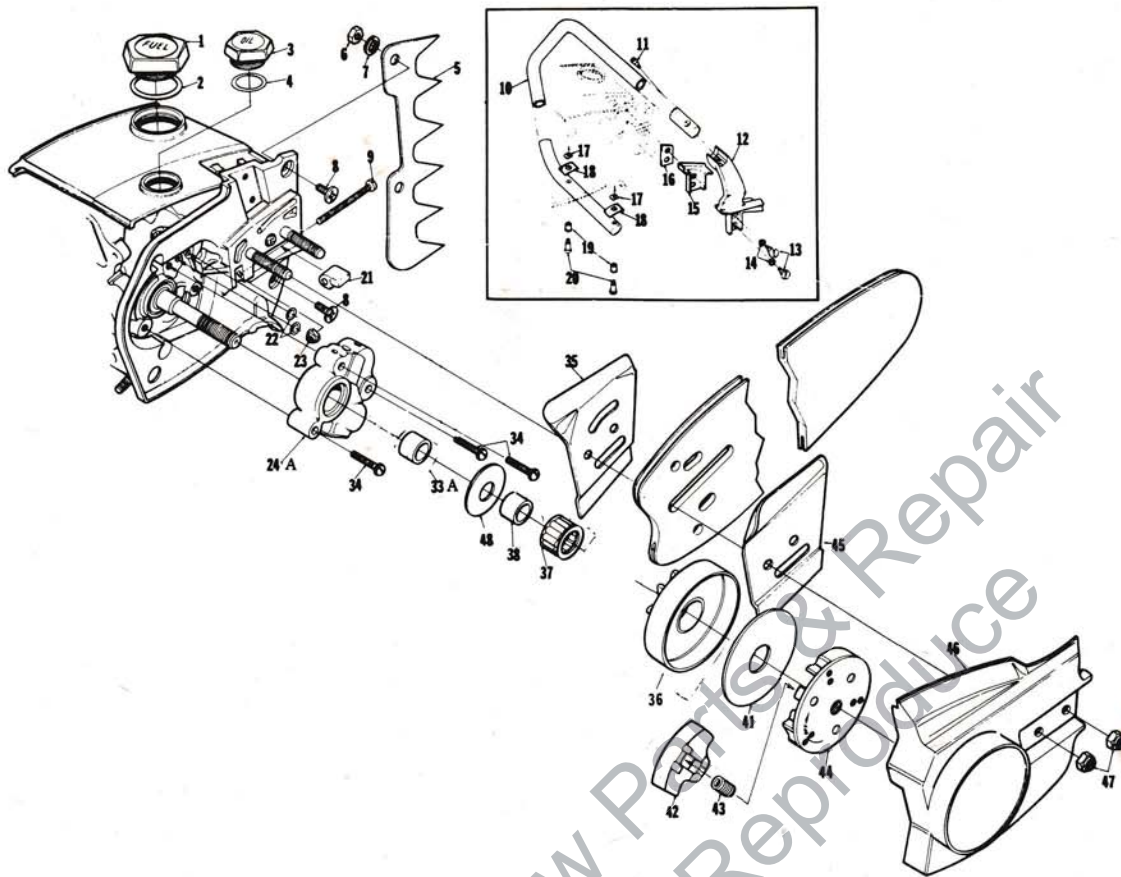


FIGURE 4

No.	Description	Part No.	Qty.
*1	CAP - fuel filler Includes: VALVE - check (not shown)	A-65283 63718	1 1
2	GASKET - cap fuel filler	58957	1
*3	CAP - oil filler (vented) Includes: VALVE - check (not shown)	A-65284 63718	1 1
*4	"O" RING	65133	1
†*5	KIT - spiked bumper	A-65181	1
† 6	Includes: NUT - hex, 10-32	81010-1	2
† 7	WASHER - lock, #10	83006-1	2
† 8	SCREW - flat, 10-32 x 5/8	80035	2
*9	SCREW - guide bar adjusting	65175-A	1
*10	HANDLE BAR - flush cut	A-65161-1T	1
*11	SCREW - socket, 10-32 x 7/8	82169	1
*12	BRACKET - handle bar	65035-2	1
13	SCREW - shoulder	64613-A	2
14	GROMMET - handle bar	64473	2
*15	MOUNT - shock	65111	1
*16	PLATE - handle bar bracket	65032	1
*17	PAD - rubber	65124	2
18	PLATE - handle bar	65670	2

† Optional

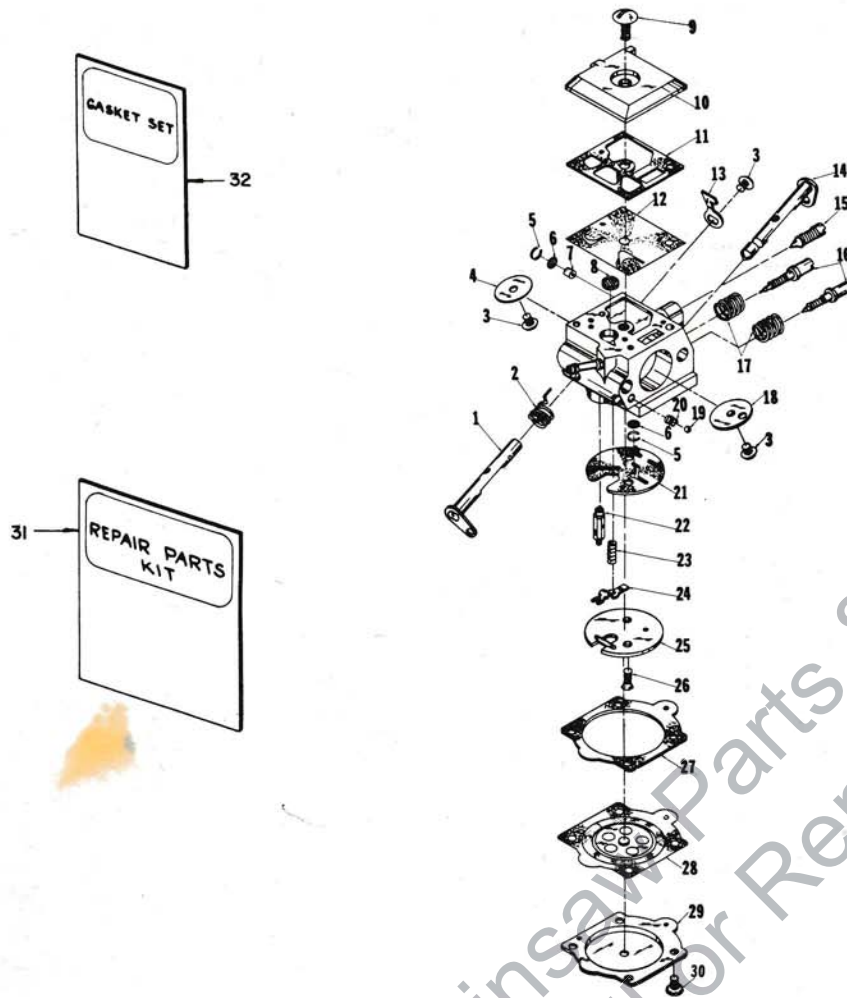
No.	Description	Part No.	Qty.
*19	GROMMET	65122	2
*20	SCREW - shoulder	65121	2
*21	PIN - bar adjusting	65112-1	1
22	"O" RING	59074	2
23	NUT - flexlock, 10-32	81109-2	1
*24-A	SPACER	121288	1
*33-A	SPACER	121286	1
34	SCREW - pan, 8-32 x 3/4	80567	3
35	PLATE - guide bar (inner)	63638-B	1
*36	SPROCKET & DRUM ⊕	121350-1	1
*37	BEARING - needle	64333	1
*38	RACE - inner	121352	1
*41	WASHER - thrust (inner)	65024-1	1
*42	SHOE - clutch	65892	3
*43	SPRING - clutch	65217	3
*44	PLATE - clutch	67855-1	1
45	PLATE - guide bar (outer)	63639-A	1
*46	COVER - drivecase	65131-1T	1
47	NUT - hex, 5/16-18	81196	2
*48	WASHER - thrust (outer)	65064	1

*Denotes new parts

NOTE ⊕ - TO SERVICE FIRST BUILT XL-1 MODELS (WITHOUT DECOMPRESSOR)
INNER RACE #121352 IS USED WITH SPROCKET #121350-1

ALWAYS FURNISH SAW MODEL AND SERIAL NUMBER WHEN ORDERING PARTS.

Homelite XL-1



A-68415 Walbro HDC-4

No.	Part No.	Description	Qty.	No.	Part No.	Description	Qty.
*1	67362	SHAFT - throttle	1	*17	67377 †	SPRING - needle adjusting	2
*2	67376 †	SPRING - throttle return	1	*18	67365	VALVE - choke	1
*3	67372 †	SCREW - valve	3	19	60051 †	BALL - choke friction	1
*4	67363	VALVE - throttle	1	20	64238 †	SPRING - choke friction	1
*5	67360 †	RING - screen retaining	2	*21	67367 ‡	GASKET - circuit	1
*6	67381 †	SCREEN - check valve	2	22	64229 †	VALVE - inlet needle	1
*7	68461	JET - limiting	1	*23	67378 †	SPRING - metering lever	1
8	64243 †	SCREEN - fuel inlet	1	*24	67383 †	LEVER - metering	1
*9	67374	SCREW - fuel pump cover	1	*25	67382	PLATE - circuit	1
*10	67361	COVER - fuel pump	1	*26	67375	SCREW - circuit plate	2
*11	67368 ‡	GASKET - fuel pump	1	27	64231 ‡	GASKET - metering diaphragm	1
*12	67370 †	DIAPHRAGM - fuel pump	1	*28	67371 †	DIAPHRAGM - metering	1
*13	67366	STOP - throttle	1	29	64224	COVER - metering diaphragm	1
*14	67364	SHAFT - choke	1	30	64689	SCREW - metering cover	4
*15	67373	SCREW - idle adjustment	1	*31	67384	REPAIR KIT	1
*16	67379 †	NEEDLE - idle adjustment	2	*32	67369 †	GASKET SET	1
				*	65386	REPAIR KIT - check valve	1

†Indicates contents of Repair Kit #67384

‡Indicates contents of Gasket Set

*Denotes new parts

TOOLS

*24299	ANVIL - crankshaft installation		23136-1	BODY - fixture	
*24300	SLEEVE - crankshaft bearing	*24320	BIT - #3 pozidriv	*24295	COLLAR - bearing
*24294	PLUG - needle bearing assembly	*A-24284-T	WRENCH - combination	*A-24309	JACKSCREW
*24292	PLUG - seal removal	*A-24290	BRACKET - rotor remover	*24291	SLEEVE - seal (drivecase)
*24298	PLUG - bearing and seal	A-24060	WRENCH - clutch (spanner)	*24297	SLEEVE - seal (crankcase)

PAINT

24101 SPRAY CAN - Blue

ALWAYS FURNISH SAW MODEL AND SERIAL NUMBER WHEN ORDERING PARTS.