

HOMELITE®

VI-130

**VI-130 SL
PARTS LIST**

**HOMELITE-TERRY
TEXTRON**

Pointe Claire, Quebec

VI-130

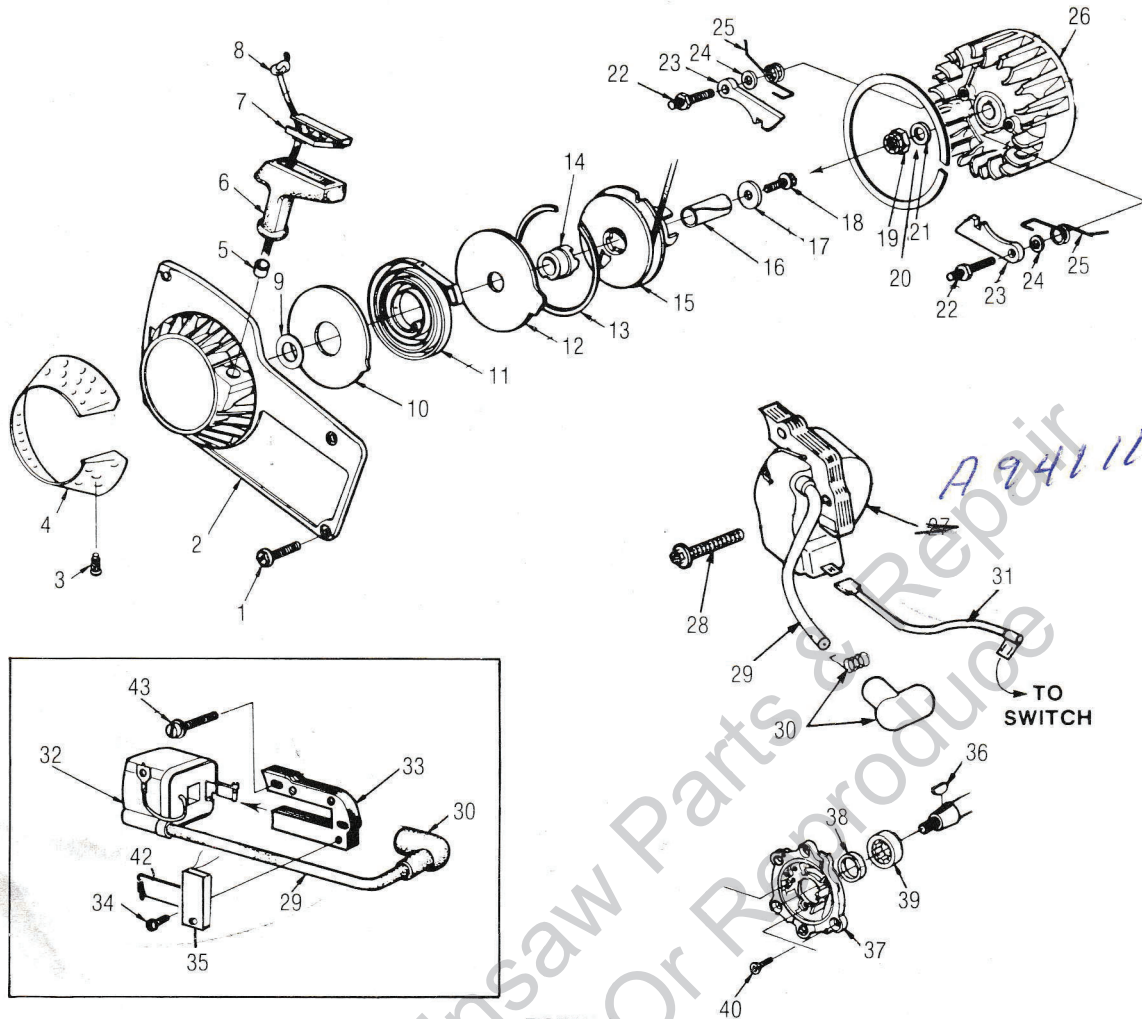


FIGURE 1

No.	Description	Part No.	Qty.	No.	Description	Part No.	Qty.
1	SCREW-Hex 10-32 x 5/8	80704	4	22	STUD-Shoulder	58757-E	2
2	HOUSING- Fan (Note 1)	A-78731	1	23	PAWL-Starter	64442	2
	Includes:			24	WASHER-Lock	70901	2
3	STUD-Drive	67191	1	25	SPRING-Starter Pawl	65375-1	2
4	SCREEN	65491	1	26	ROTOR-Magneto	63637	1
5	BUSHING	67177	1	27	MODULE & CORE	A-79261	1
6	GRIP-Starting Rope	94911	1	28	SCREW-Module core	82291	2
7	INSERT-Starting Rope	70018-A	1	29	LEAD-Hi-Tension	58966	1
8	ROPE-Starter	63869	1	30	TERMINAL-Spark Plug	A-33055	1
9	WASHER	67185	1	31	LEAD-Ground to Switch	A-63939	1
10	SHIELD-Spring (Inner)	63713	1	32	COIL-Ignition	64091-AT	1
11	SPRING-Rewind	63870	1	33	CORE-Coil	54422	1
12	SHIELD-Spring (Outer)	63714	1	34	SCREW	78158	1
13	RING	63875	1	35	MODULE ASS'Y	A-78865	1
14	LOCK-Spring	64948	1	36	KEY-Woodruff	75078	1
15	PULLEY & CUP ASS'Y	A-79090	1	37	PLATE-Back	A-68142	1
16	BUSHING-Starter Post	64374	1		Includes:		
17	WASHER-Retaining	94062	1	38	SEAL	12281-A	1
18	SCREW-Hex 10-32 x 1/2	80648	1	39	BEARING-Roller	67395	1
19	NUT-Jam 5/16 - 24	81117	1	40	SCREW	65321-A	5
20	WASHER-Lock 5/16	83030	1	41	RETAINER-Lead	64301	1
21	WASHER-Flat 5/16	84065-1	1	42	CLIP-Coil-Retaining	54423	1
				43	SCREW-Coil-Core	82248	2

NOTE 1: OLDER UNITS WITH MODULE A-78865, ITEM 35, USE FAN HOUSING A-78491.

ALWAYS FURNISH MODEL AND SERIAL NUMBER WHEN ORDERING PARTS.

VI-130

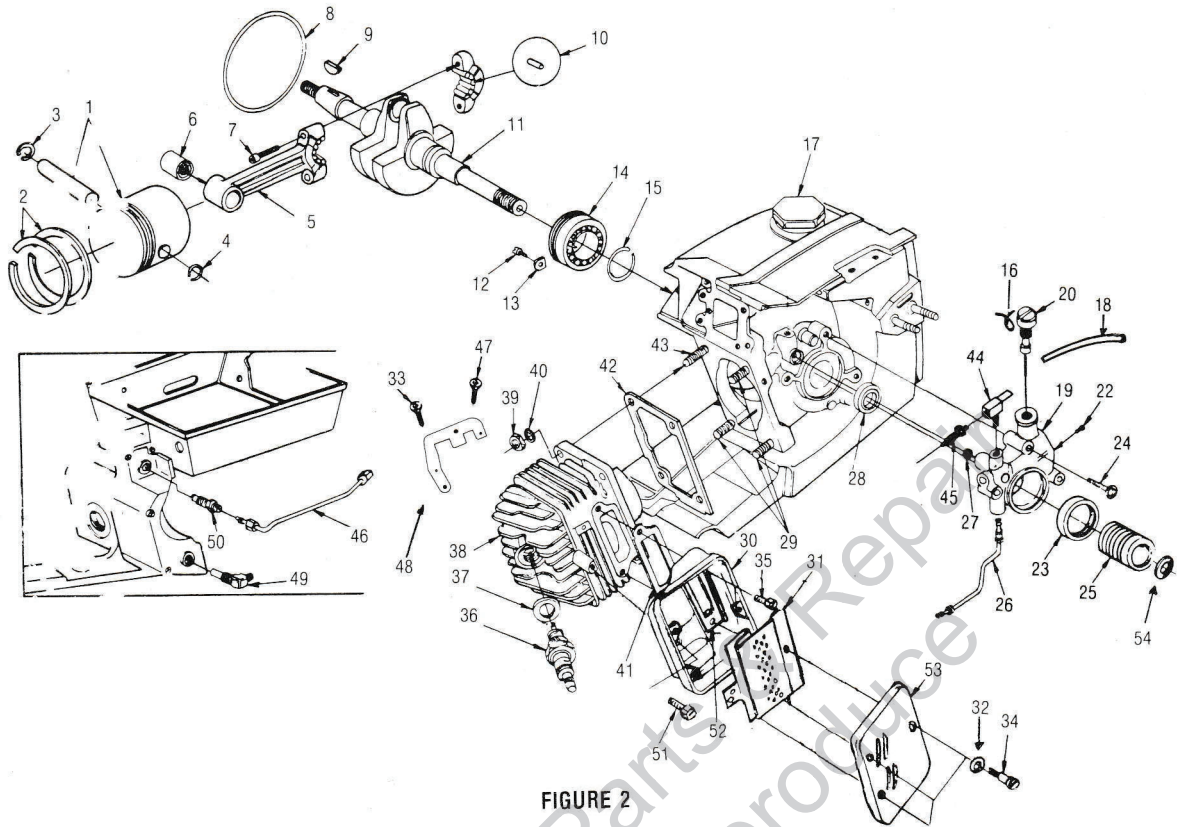


FIGURE 2

No.	Description	Part No.	Qty.	No.	Description	Part No.	Qty.
1	PISTON & PIN Includes:	A-78496	1	26	LINE-oil (auto. lower)	A-78105	1
2	PISTON RING	59436	2	27	"O" RING	59074	1
3	RING-retaining	75120	1	28	SEAL		1
4	RING-piston pin retaining	64813	1	29	STUD-cylinder (short)	69438	3
5	ROD-connecting Includes:	A-68498-A		30	BODY-muffler	A-78744-1	1
6	BEARING-needle	67408	1	31	BAFFLE-muffler	78146	1
7	SCREW	69919	2	32	WASHER	78312	1
8	"O" RING	58785	1	33	SCREW	82291	1
9	KEY-Woodruff	75078	1	34	SCREW-shoulder	64614-A	2
10	ROLLER-needle (set of 25)	A-68495	1	35	SCREW-hex, 12-24 x 5/8	78156	3
11	CRANKSHAFT (Solid-State)	68730-T	1	36	SPARK PLUG (RJ-7)	78279	1
12	SCREW-Bearing retainer	70306	2	37	Includes: GASKET	25038	1
13	WASHER-special	63905	2	38	CYLINDER	A-78732	1
14	BEARING-ball	63865	1	39	NUT-hex, 1/4-28	81065-2	4
15	RING-retaining	58319-A	1	40	WASHER-lock, 1/4	83009	4
16	CLAMP	93426	1	41	GASKET	78102	1
17	CAP-fuel filler	A-69500	1	42	GASKET-cylinder	65829	1
18	LINE-oil (Auto. upper)	93112-09	1	43	STUD-cylinder (long)	63868	1
19	PUMP-automatic oil Includes: Item 44 & 45	A-79042	1	44	CONNECTOR-elbow	A-79031	1
20	SCREW-cam	64102-A		45	FITTING-straight	65696	1
21	GASKET	59736	1	46	LINE-oil (manual)	A-78131	1
22	SCREW-pan, 4-40 x 1/4	80919	2	47	SCREW	80024	1
23	SEAL-felt	59760	1	48	BRACKET, MODULE	78636	1
24	SCREW-pan 8-32 x 7/8	80568	3	49	FILTER-oil	A-64741-T	1
25	WORM-oil pump	63228	1	50	VALVE-check	A-65948-1	1
				51	SCREW-Hex (12-24 x 1")	78157	1
				52	PLATE-Muffler	64127	1
				53	CAP-Muffler	78147-1	1
				54	FELT-washer	59760	1

ALWAYS FURNISH MODEL AND SERIAL NUMBER WHEN ORDERING PARTS

VI-130

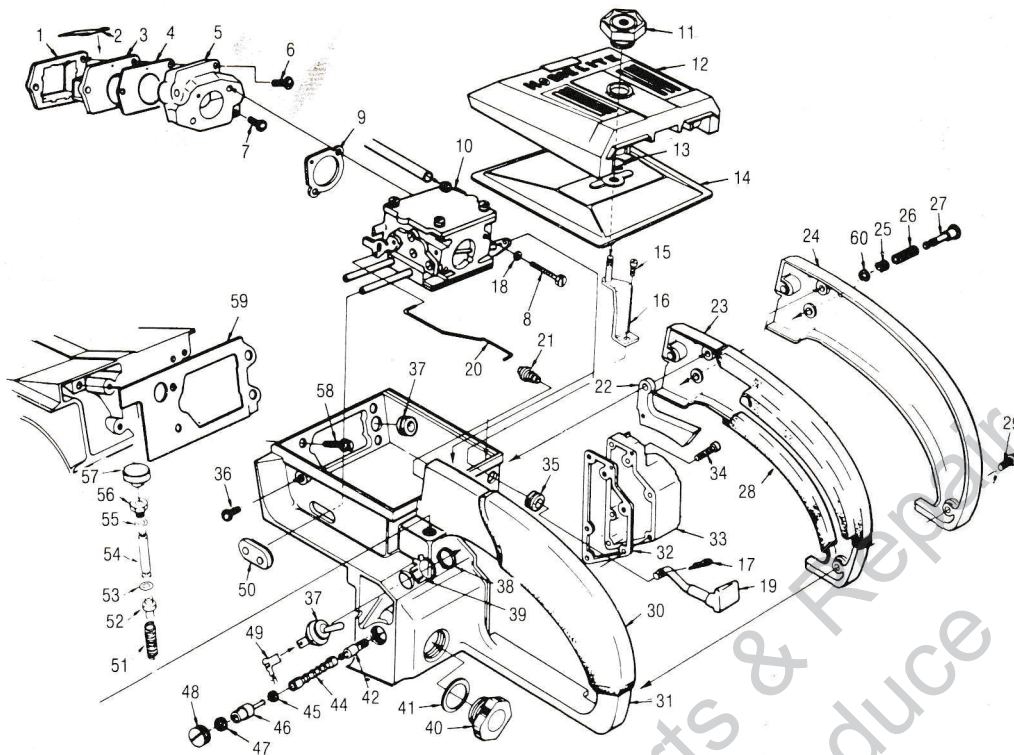


FIGURE 3

No.	Description	Part No.	Qty.	No.	Description	Part No.	Qty.
1	RETAINER-reed valve	64253-A	1	31	HANDLE-throttle	A-68483-T	1
2	REED-valve	59678-B	4		Includes: Item 28 & 30 also		
3	SEAT-reed valve	64252	1	32	GASKET-oil tank	67265	1
4	GASKET-reed valve seat	64266-T	1	33	COVER-oil tank	A-68120-A	1
5	MANIFOLD-intake	A-67502-A	1		Includes:		
6	Includes:				PLUG-pipe (not shown)	59571	1
	SCREW-pan, 8-32 x 1-1/4	82174	2	34	SCREW-fil, 8-32 x 3/4	82156	6
7	SCREW-pan, 8-32, 1	82173	1	35	GROMMET	64862	2
8	SCREW-hex, 10-32, 1-7/8	70549	2	36	PLUG	53572	1
9	GASKET-carburetor	67631	1	37	SWITCH	A-63938	1
10	CARBURETOR	A-78349	1		Includes:		
11	NUT-cover mounting	A-65272	1	38	NUT	72084-A1	1
12	COVER-air filter	63183-7	1	39	PLATE—"Run Stop"	70834	1
13	RING-retaining	58319-A	1	40	CAP-oil (vented)	A-65284-AT	1
14	FILTER ELEMENT-air (Note 1)	A-63955-T	1	41	Includes:		
15	SCREW-hex, 12-24 x 1/2	80821	1		GASKET	69834	1
16	BRACKET-air filter cover	A-63576	1		VALVE-vent (not shown)	69451	1
17	PIN-cotter	86324	1	42	FILTER-oil (manual)	A-59009-A	1
18	WASHER-lock, 10	83046	2	44	LINE-flexible oil	64356	1
19	ROD-choke	67000-1	1	45	GASKET	59736	1
20	ROD-throttle	63896-A	1	46	FITTING-check valve	A-63936	1
21	BOOT-throttle rod	67634	1	47	GROMMET	64474	1
22	TRIGGER-throttle	63212-A	1	48	SCREW-set	63113	1
23	COVER-throttle handle	63599-5	1	49	LEAD-ground	A-63939	1
24	COVER-without item 28	63599-3	1	50	GROMMET-"Hi-Lo"	78140	1
25	BUSHING-throttle lock	59064	1	51	SPRING-plunger	65080	1
26	SPRING-throttle lock	58405	1	52	PLUNGER-oil pump	65081-A	1
27	PIN-throttle lock	95671	1	53	"O" RING	58406	1
28	GRIP-throttle handle cover	68467	1	54	ROD plunger	A-78103	1
29	SCREW-pan, 8-32 x 1/2	80560	2	55	Includes:		
30	GRIP-throttle handle	68466	1		"O" RING	59074	1
				56	NUT-plunger	78100	1
				57	BUTTON-oil pump	57289-1	1
				58	SCREW-hex, 12-24 x 5/8	80676	4
				59	GASKET-throttle handle	64267-T	1
				60	RING retaining	64474	1

Note 1: FILTER-ELEMENT (WINTER) A-69577 is also available.

ALWAYS FURNISH MODEL AND SERIAL NUMBER WHEN ORDERING PARTS.

VI-130

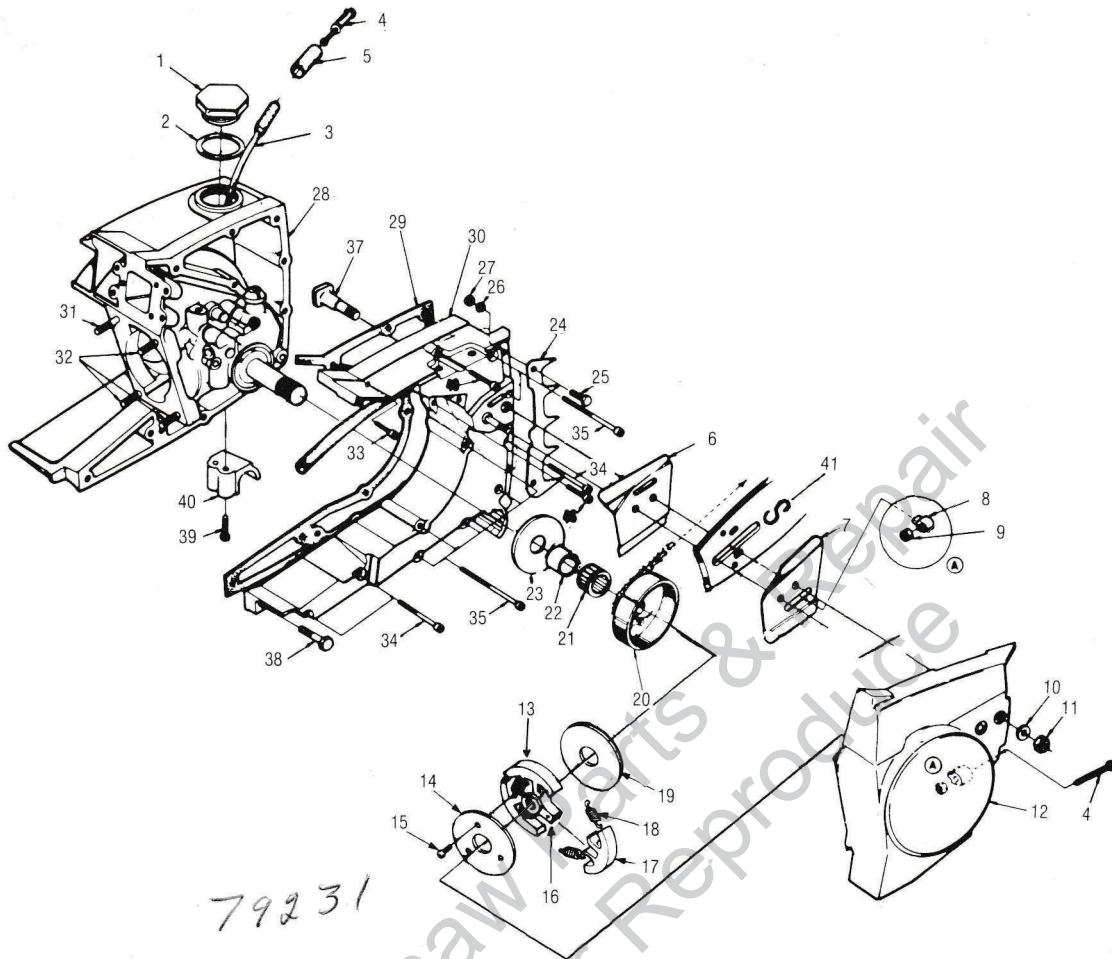


FIGURE 4

No.	Description	Part No.	Qty.	No.	Description	Part No.	Qty.
1	CAP-fuel filler	A-69500	1	23	WASHER-thrust inner	63860	1
2	Includes: GASKET	69501	1	24	BUMPER-spiked (optional)	A-64722	1
3	LINE-fuel	63544-B	1		Includes:		
4	FILTER-fuel	A-69923	1	25	SCREW-hex. 12-24 x 5/8"	80676	2
	Includes:			26	WASHER-lock no. 12	83056	2
5	FELT-filter	64083	1	27	NUT-hex. 12-24	81068	2
6	PLATE-guide bar (inner)	70397	1	28	CRANKCASE & TANK	A-79043	1
7	PLATE-guide bar (outer)	70398	1		Includes:		
8	PIN-bar adjusting	65768-1T	1		PIN-dowel (not shown)	71430	1
9	NUT-lock 10-32	81206	1		PIN-dowel (not shown)	65365	2
10	WASHER Flat 5/16	84032	2		SEAL (see fig. 2, index 28&	58308-B	1
11	NUT-hex, 5/16 x 18	81196	2	29	GASKET-fuel tank	65364-B	1
12	COVER-drive case	A-79246	1	30	COVER-fuel tank	A-79041	1
13	CLUTCH ASS'Y	A-79182	1	31	STUP-cylinder (long)	63868	1
	Includes:			32	STUD-cylinder (short)	69438	3
14	COVER-clutch	96449	1	33	SCREW-fil 8-32 x 5/16	78629	2
15	SCREW-hex. hd. 10 x 32 x 1/2"	88041	3	34	SCREW-fil 8-32 x 1-7/8	78631	3
16	SPIDER-clutch	79188	1	35	SCREW-fil 8-32 x 2-3/16"	78632	7
17	SHOE-clutch	79073	3	36	SCREW-fil 8-32 x 1-1/4"	78630	1
18	SPRING-clutch	93638-A	3	37	BOLT-guide bar	67193	2
19	WASHER	78111	1	38	SCREW-hex, 12-24 x 7/8	80891	1
20	SPROCKET & DRUM 3/8 P 7T	A-78908	1	39	SCREW-pan head	80572	2
	Includes:			40	STOP-handle bar	67506-2	1
21	BEARING-cage (Note 1)	64124	1	41	CLIP "S"	69966	1
22	RACE-inner (Note 1)	65985-B	1				

NOTE 1: Some units may have bearing # 64333 and Race # 63990

ALWAYS FURNISH MODEL AND SERIAL NUMBER WHEN ORDERING PARTS.

VI-130

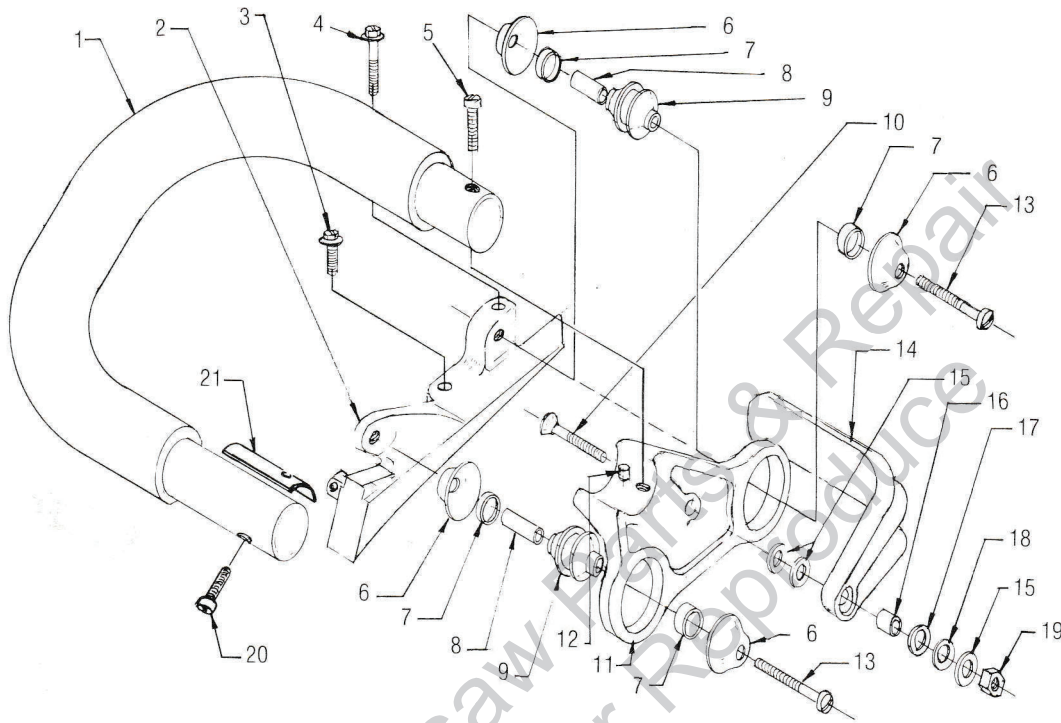


FIGURE 5

No.	Description	Part No.	Qty.	No.	Description	Part No.	Qty.
1	HANDLE-bar	A-78994-A	1	11	H.BAR-bracket	A-79226	1
2	BRACKET-vib. mt.	78989-2	1		Includes:		
3	SCREW	80704	1	12	PIN-dowel	65601	1
4	SCREW	82353	1	13	SCREW	82320	2
5	SCREW	80041	1	14	GUARD-hand	95898-A	1
6	WASHER, vib. isolator	70440-A	4	15	WASHER	95935	3
7	RING, vib. isolator	70432-A	4	16	SPACER	95937-01	1
8	SPACER	70433	2	17	WASHER	84065	1
9	ISOLATOR	95915	2	18	WASHER	96757	1
10	SCREW	80945	1	19	NUT	81225	1
				20	SCREW 1/4-20 x 1-1/8"	78117	1
				21	SPACER	78485	1
					HANDLE BAR (wrap-around) - optional	A-79001	1

ALWAYS FURNISH MODEL AND SERIAL NUMBER WHEN ORDERING PARTS.

VI-130SL

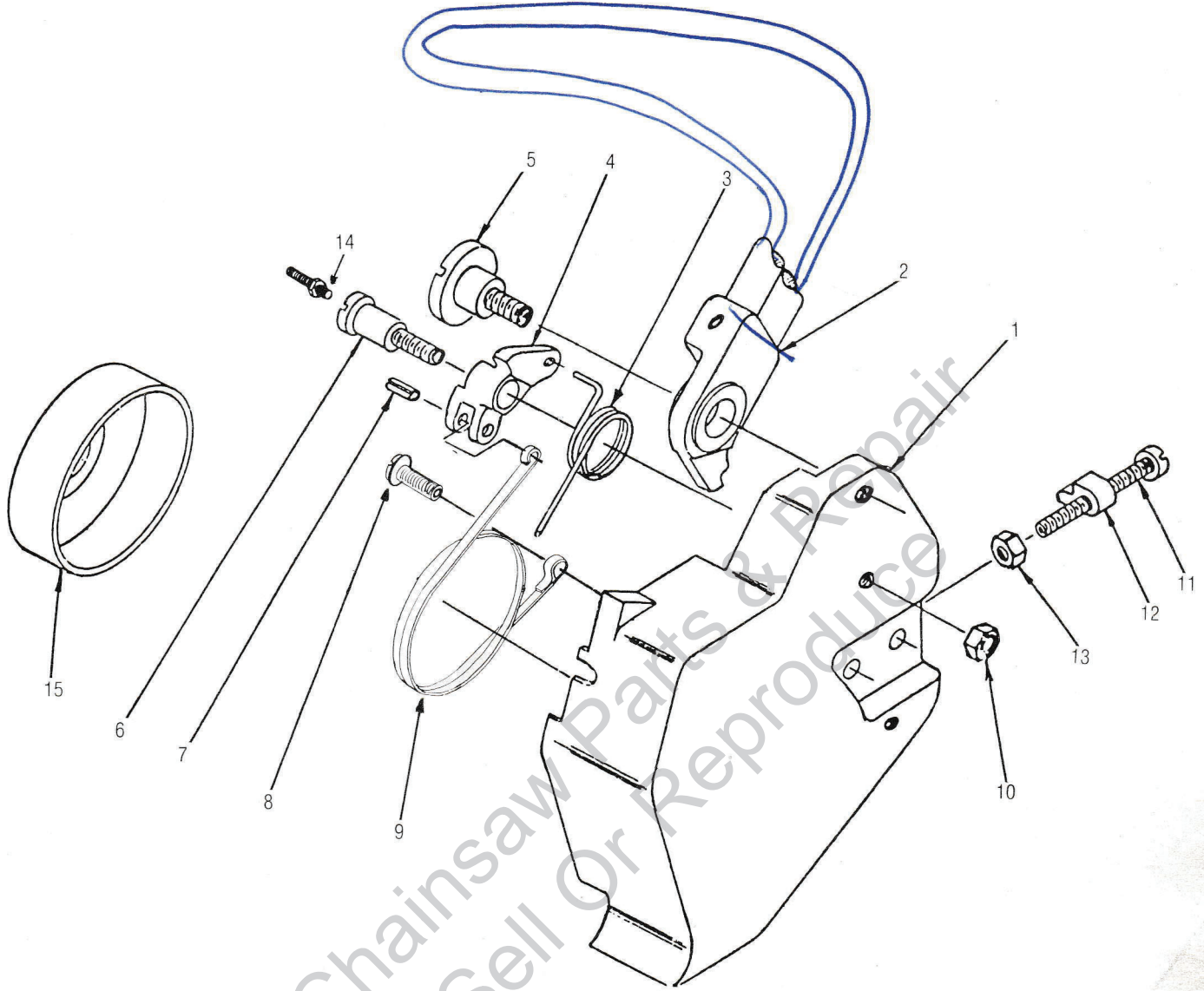


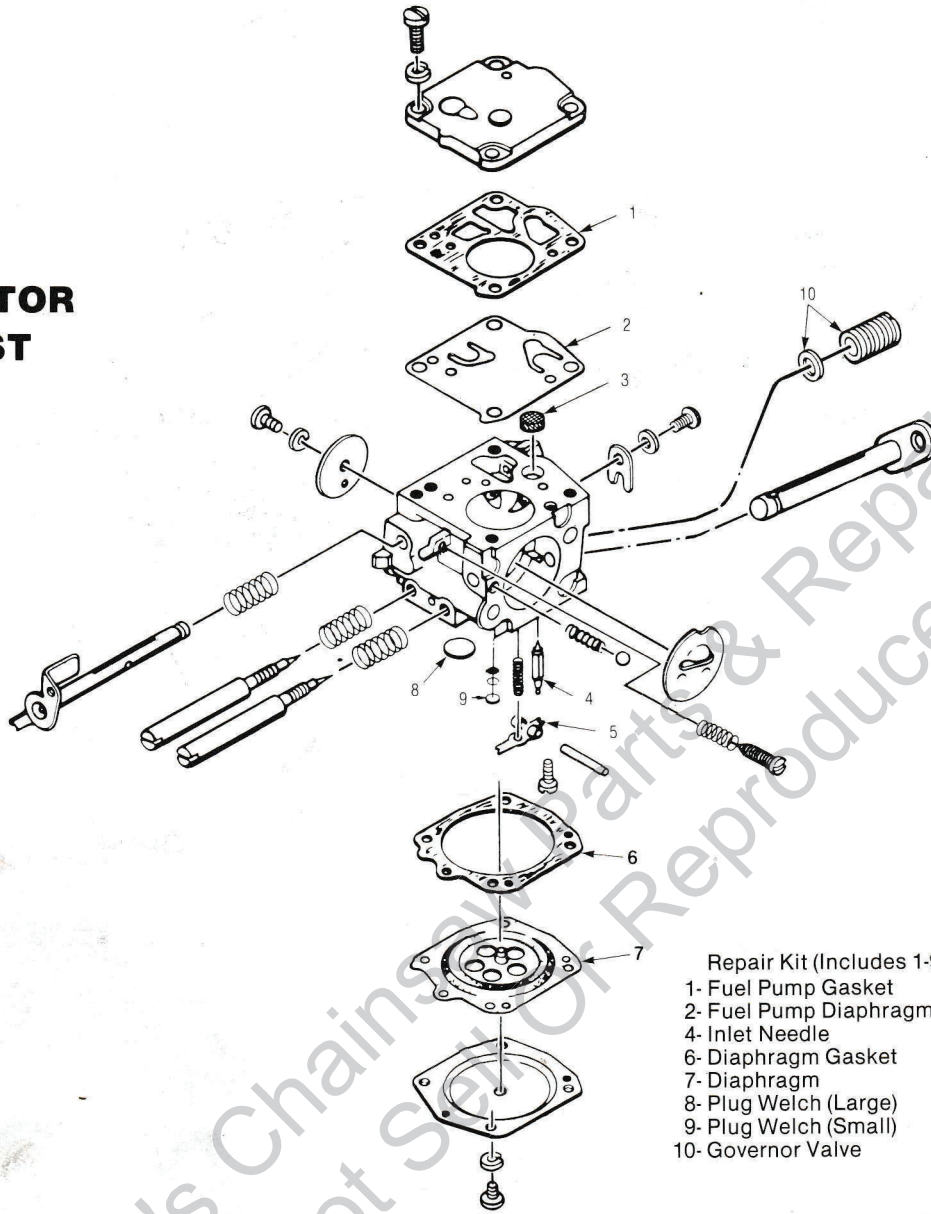
FIGURE 6

No.	Description	Part No.	Qty.	No.	Description	Part No.	Qty.
	CHAIN-brake kit ass'y	A-79244	1	8	SCREW, pan hd. 8-32 x 5/8	82258	1
	Includes:			9	BAND, brake	94614	1
1	COVER-drivecase	A-78998-1	1	10	NUT, hex 1/4-20	81108	1
2	LEVER, Hand guard	A-69660-A	1	11	SCREW, bar adj.	65175-A	1
3	SPRING, torsion	70093-B	1	12	PIN, bar adj.	65768-1T	1
4	LEVER, brake band	94615-1	1	13	NUT, hex 10-32	81206	1
5	SUPPORT Screw	70506-A	1	14	STUD-isol. mtg.	78995	1
6	SCREW, cam	79201	1	15	SPROCKET & DRUM	A-78908	1
7	ROLL PIN 3/16 x 1/2	67911	1				

ALWAYS FURNISH MODEL AND SERIAL NUMBER WHEN ORDERING PARTS.

VI-130

CARBURETOR PARTS LIST A-78349 HS 125 B



Repair Kit (Includes 1-9)	95698
1- Fuel Pump Gasket	58981
2- Fuel Pump Diaphragm	58980
4- Inlet Needle	59717
6- Diaphragm Gasket	58978
7- Diaphragm	58988
8- Plug Welch (Large)	58991
9- Plug Welch (Small)	58994
10- Governor Valve	78133

SPECIAL TOOLS (available in order)

Description	Part No.
COLLAR-bearing installation (bearing to shaft)	22820-5
PLIERS-retaining and shaft	22828
SLEEVE-bearing and shaft installation	23136-1
WRENCH-socket screw (connecting rod)	23528
PLUG-needle bearing	23756
SLEEVE-seal protection	23759
ANVIL-roller bearing disassembly	23846-2
TOOL-piston pin removal	A-23949
BRACKET-rotor removal	A-23960
SLEEVE-seal installation	23972
PLATE-shaft alignment	24006-2
JACKSCREW (bearing to shaft to crankcase)	A-24051
PLUG-seal assembly (crankcase)	24054
PLUG-bearing and seal assembly (black plate)	24055

BEARING REMOVER- (black plate)	A-24057
SLEEVE-seal protection (crankcase side)	24076
DRIVER-hand, pozidriv	24230
DRIVER-check valve installation	24173
BIT - TORX for 70306 screw	24982
BIT - pozidriv No. 2	120875
WRENCH combination	22808-T
PULLER	A-122055
SPANNER wrench (clutch)	A-17146
SHIM plastic	23987
SPARK plug remover	24094
DRIVER bit for con rod screw	24982

ACCESSORIES

HEAT EXCHANGER	65543-1
SPRAY CAN-red paint	23475
CHAIN brake ass'y	A-79244
SAFE-T-TIP	A-70790-T
LOCTITE	23488-B
STARTING rope 100 ft.	4-1/2

HOMELITE-TERRY
TEXTRON