

**PARTS LIST**

**HOMELITE<sup>®</sup>**

**CHAIN SAWS**

**SUPER**



**EZ**

**AUTOMATIC**

**AND**

**SUPER**



**XL MINI AUTOMATIC**

PRICE .35

PART NO. 24522-AT

6-74

# Super EZ Automatic & Super XL Mini Automatic

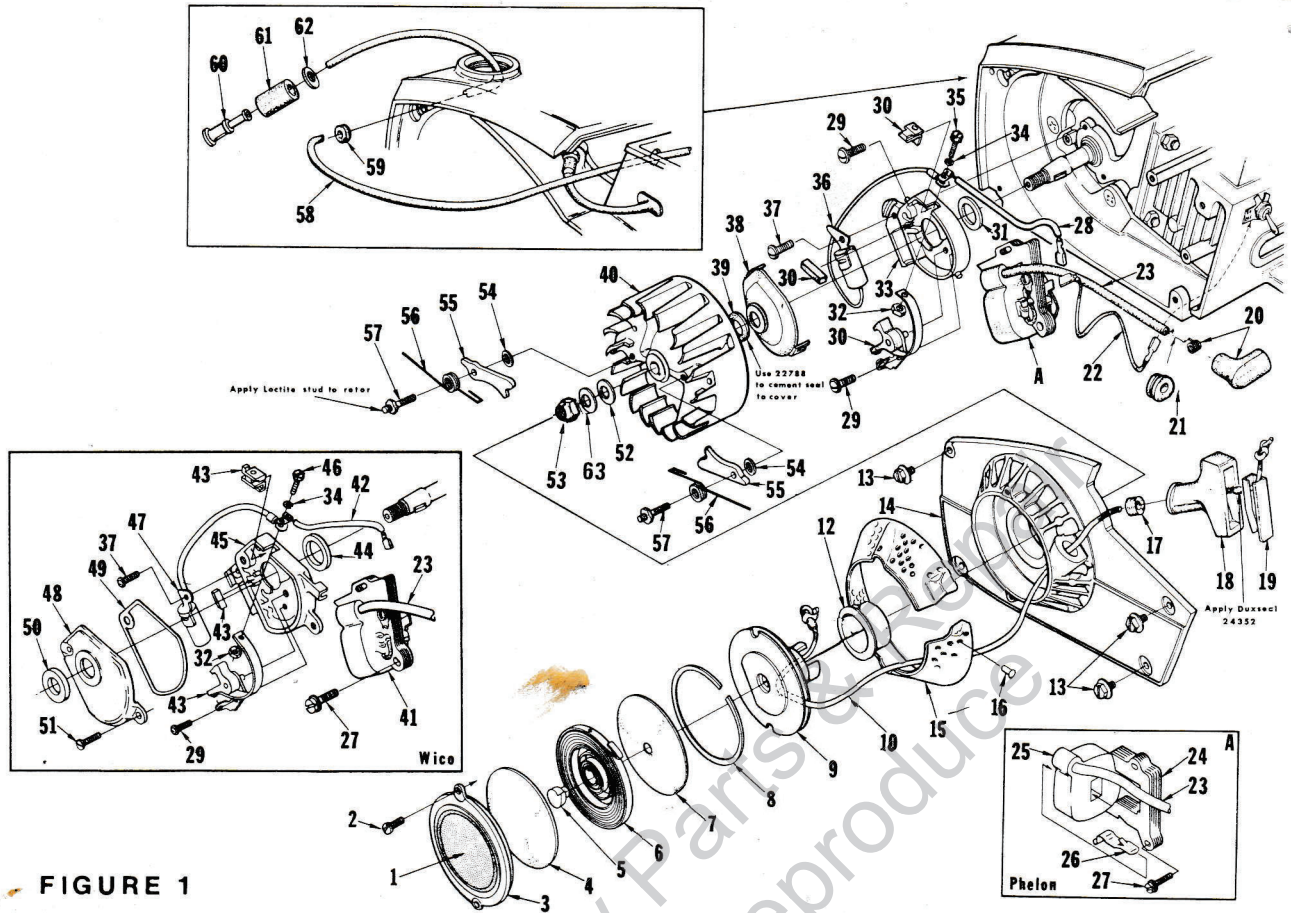


FIGURE 1

No.	Description	Part No.	Qty.	No.	Description	Part No.	Qty.
* 1	DECAL-starter cover (EZ Auto)	68920	1	34	WASHER-lock, #6	83004-1	1
* 2	DECAL-starter cover (XL Mini Auto)	68906	1	35	SCREW-hex, 6-32 x 7/16	(P) 67628	1
3	SCREW-pan, 8-32 x 3/8	80577	2	36	CONDENSER	(P) 65286	1
4	COVER-starter	65095-2	1	37	SCREW-pan, 6-32 x 1/2	80630	1
5	SHIELD-spring (inner)	65113	1	38	COVER-breaker box	(P) A-65210-A	1
6	LOCK-spring	65102	1	39	Includes: SEAL-felt	(P) 65211	1
7	SPRING-rewind	65107	1	40	ROTOR-magneto	(P) 65288	1
8	SHIELD-spring (outer)	65114	1		ROTOR-magneto	(W) 68701	1
9	RING-retaining	65125	1	41	COIL & CORE	(W) 68716	1
10	PULLEY & CUP	A-65170	1	42	LEAD GROUP-primary	(W) 68712	1
	ROPE-starter, 46"	65118	1	43	POINTS-breaker	(W) A-68710	1
			1		Includes:		
12	BUSHING-starter cup	68244	1	44	SEAL-felt	(W) 68705	1
13	SCREW-hex, 10-32 x 5/8	80704	4		WASHER-thrust (not shown)	(W) 28028	as req'd
14	HOUSING-rewind starter	A-65222-1	1		LOCK-breaker arm (not shown)	(W) 28008	1
	Includes:			45	BOX-breaker	(W) 69508	1
15	SCREEN-air inlet	65189	1	46	SCREW-hex, 6-32 x 1/2	(W) 68700	1
16	STUD-drive #2	67191	3	47	CONDENSER	(W) 68711	1
17	BUSHING-starter rope	65185	1	48	COVER-breaker box	(W) A-69507	1
18	GRIP-starter rope	65183	1		Includes:		
19	INSERT-rope retaining	68837-T	1	49	GASKET-breaker box cover	(W) 69512	1
20	TERMINAL-spark plug	A-33055	1	50	SEAL-felt	(W) 68773-1	1
21	GROMMET-hi-tension lead	75036	1	51	SCREW-cover mounting	(W) 68715	2
22	LEAD-ground	A-63939	1	52	WASHER-flat, 5/16	84065-1	1
23	LEAD-hi-tension	65205	1	53	NUT-hex, 5/16-24	81117	1
24	CORE-coil	(P) 68255	1	54	WASHER-Lock	83046	2
25	COIL-ignition	(P) 68256	1	55	PAWL-starter	65108	2
26	RETAINER-coil	(P) 68257	1	56	SPRING-starter pawl	65120	2
27	SCREW-coil core	82248	2	57	STUD-starter pawl	65109	2
28	LEAD GROUP-primary	(P) 65291	1	58	LINE-fuel	A-68053-A	1
29	SCREW-pan, 6-32 x 3/8	80571	2	59	Includes: GROMMET	68046	1
30	POINTS-breaker	(P) A-65203-A	1	60	FILTER-fuel	A-63920	1
31	Includes: SEAL-felt	(P) 65209	1	61	Includes: FILTER-felt	64083-1	1
32	NUT	65207	1	62	WASHER	64182	1
33	BOX-breaker	(P) 65206-A	1				
					* Denotes new parts	(P) Phelon (W) Wico	
				63	WASHER-lock	83002	1

Complete magneto must be either Wico or Phelon. Phelon and Wico parts are not individually interchangeable.

# Super EZ Automatic & Super XL Mini Automatic

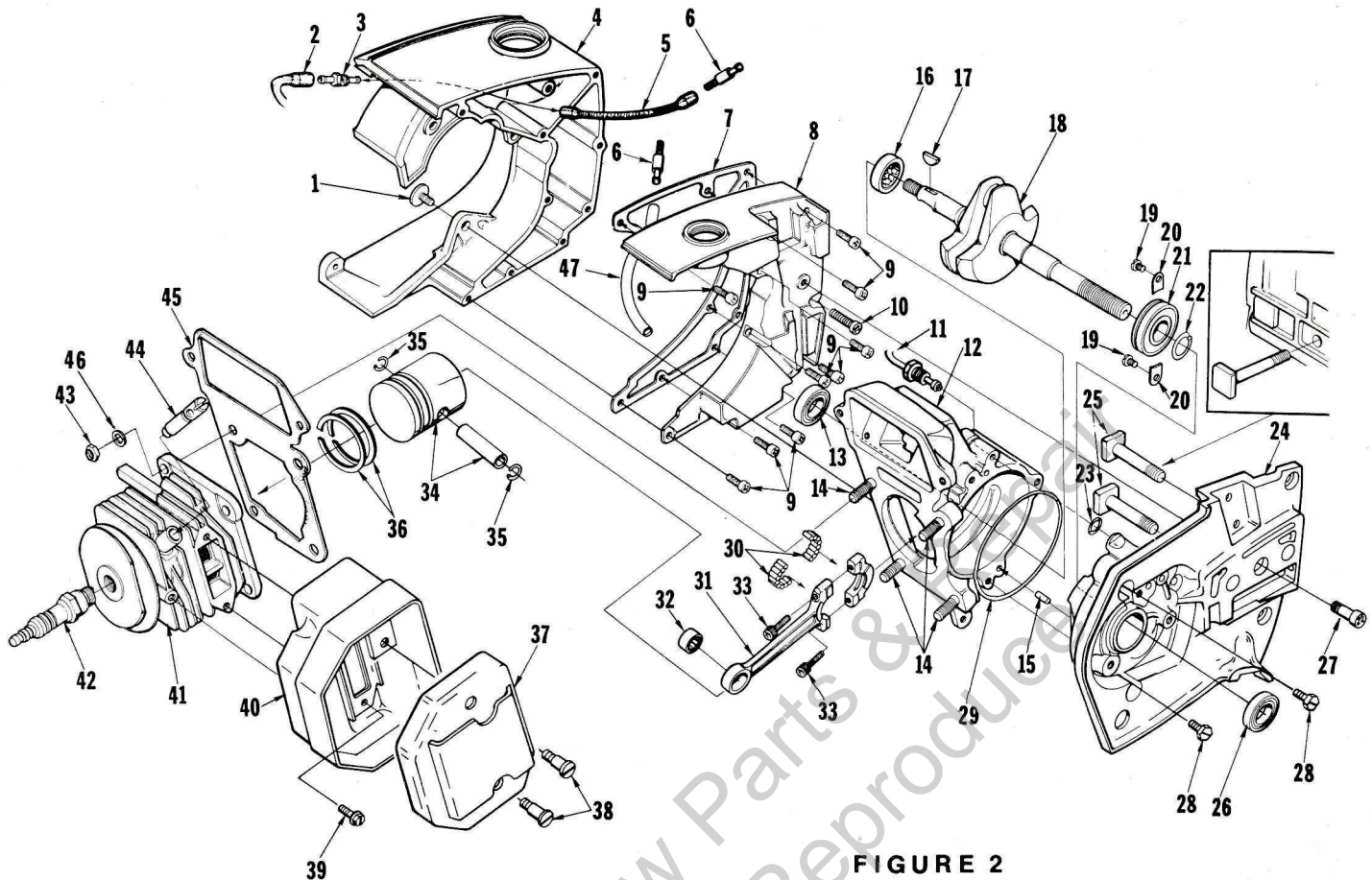


FIGURE 2

No.	Description	Part No.	Qty.	No.	Description	Part No.	Qty.
1	SCREW-retaining	65321	3	28	SCREW-hex, 12-24 x 5/8	80676	3
2	LINE-oil	65137	1	29	"O" RING	65127	1
3	FITTING-oil line	65138	1	30	BEARING-needle (set of 28)	A-65009	1
4	TANK-fuel & oil	65037-7	1	31	ROD-connecting	A-68051	1
5	LINE-oil (pick up)	58340-B	1		Includes:		
6	FILTER-oil	A-65172	2	32	BEARING-needle	68512	1
7	GASKET-fuel & oil tank	65046	1	33	SCREW-soc, 8-32 x 9/16	69919	2
8	COVER-fuel & oil tank	A-69832	1	34	PISTON & PIN	A-68487	1
9	SCREW-fil, 8-32 x 5/8	82146	9		Includes:		
10	SCREW-fil, 8-32 x 1-7/16	82187	1	35	RING-piston pin retaining	64813	2
11	LINE-oil	A-65214	1	36	PISTON RING	68508	2
12	CRANKCASE	A-69260	1	*37	CAP-muffler w/shield	A-68950-1	1
	Includes:			38	SCREW-shoulder	64133-A	2
13	SEAL	65019	1	39	SCREW-hex, 10-32 x 1/2	80648	3
14	STUD-cylinder	69438	4	40	BODY-muffler	A-65152-2	1
15	PIN-dowel	65153	1		MUFFLER-diffuser (not shown)		
16	BEARING-roller	65179	1			† A-68254	1
17	KEY-woodruff	65126	1		Includes:		
18	CRANKSHAFT	65006-2	1		CAP-muffler	† 68253-1	1
19	SCREW-bearing retaining	59704	2		plus items # 38, 39, 40		
20	WASHER-lock special	63905	2		MUFFLER (not shown)	† A-65275	1
21	BEARING-ball	65044-S	1		Includes:		
22	RING-retaining	65045	1		CAP-muffler	† 65066-1	1
23	"O" RING	59074	1		BAFFLE-muffler	† 65067	1
24	DRIVECASE	A-69807	1		Plus items #38, 39 & 40		
	Includes:			41	CYLINDER-1-9/16 dia	A-122327	1
25	BOLT-guide bar	65025	2	42	SPARK PLUG	65130-S	1
26	SEAL	65019	1	43	NUT-hex, 1/4-28	81065-2	4
27	SCREW-fil, drivecase retainer	65157	1	44	VALVE-compression release	A-65184	1
	* Denotes new parts			45	GASKET-cylinder	65018	1
	† Optional			46	WASHER, Lock	83009	4
				47	LINE, Oil	69755	1

# Super EZ Automatic & Super XL Mini Automatic

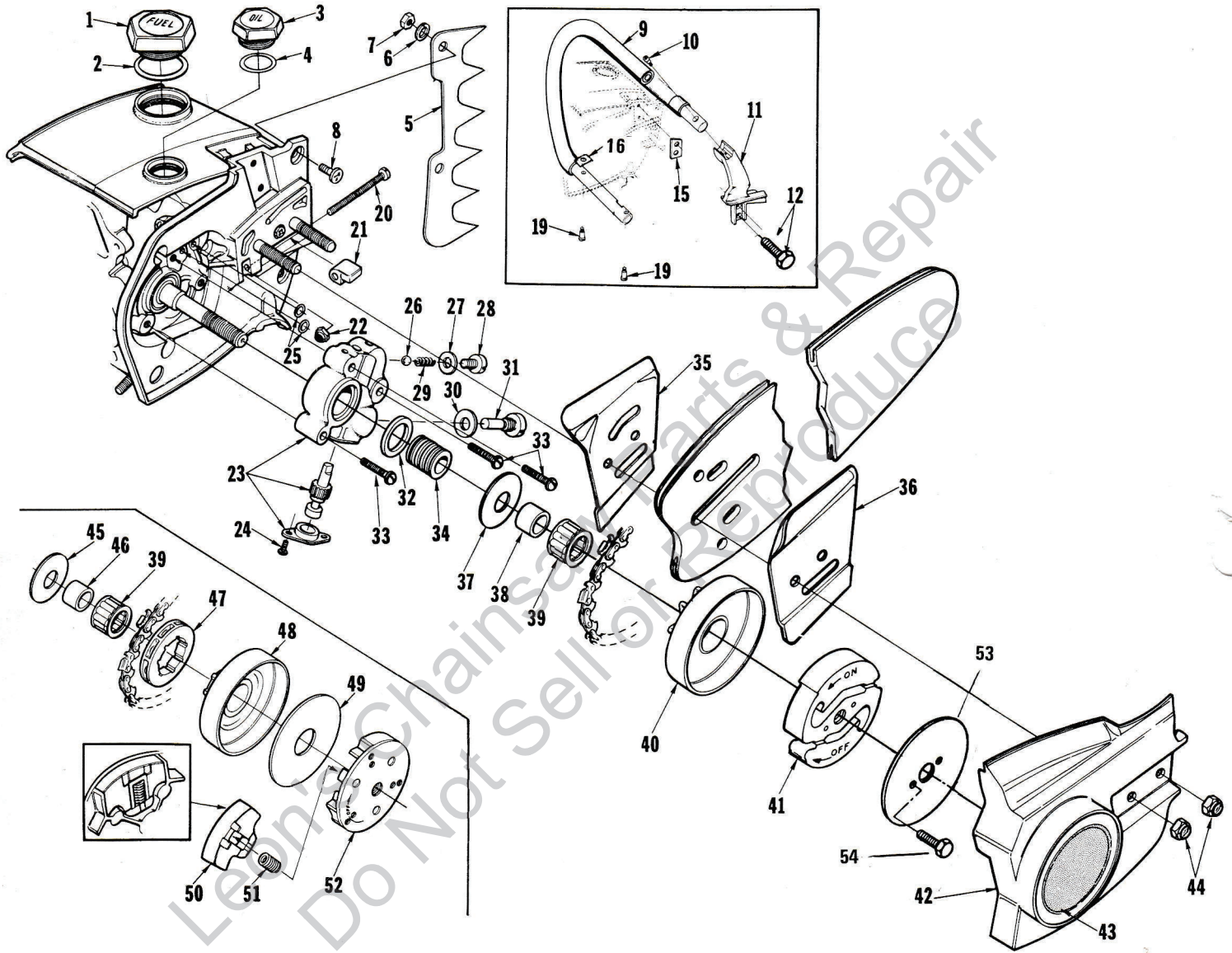


FIGURE 4

# Super EZ Automatic & Super XL Mini Automatic

No.	Description	Part No.	Qty.	No.	Description	Part No.	Qty.
* 1	CAP-fuel filler	A-69499	1	33	SCREW-pan, 8-32 x 3/4	80567	3
	Includes:			34	WORM-oil pump	65047-A	1
	VALVE-check (not shown)	69451	1	35	PLATE-guide bar (inner)	63638-B	1
* 2	GASKET-fuel filler cap	69501	1	36	PLATE-guide bar (outer)	63639-A	1
3	CAP-oil filler (vented)	A-65284-B	1	37	WASHER-thrust (outer)	65064	1
	Includes:			38	RACE-inner	69423	1
	VALVE-check (not shown)	69451	1	39	BEARING-needle	64333	1
4	GASKET	69834	1	40	SPROCKET & DRUM	A-69436-1	1
5	KIT-spiked bumper (accessory)	†A-65181	1	41	CLUTCH-"S" (Note 3)	68362-1A	1
	Includes:			42	COVER-drivecase	65131-10	1
6	WASHER-lock, #10	†83006-1	2	*43	DECAL-drivecase cover (EZ Auto)	68921	1
7	NUT-hex, 10-32	†81010-1	2	*	DECAL-drivecase cover (XL Mini Auto)	68907	1
8	SCREW-flat, 10-32 x 5/8	†80035	2	44	NUT-hex, 5/16-18	81196	2
* 9	HANDLE BAR-flush cut	A-69675	1	45	WASHER-thrust (outer) for rimmed sprocket (Note 2)	†65027	1
	HANDLE BAR-full wrap-around (Note 1)	†A-68469-2	1	46	RACE-inner (Note 2)	†65985	1
10	SCREW-soc, 10-32 x 7/8	82169	1	47	SPROCKET-rim type (3/8, 7 tooth) (Note 2)	†OM-68210	1
11	BRACKET-handle bar	68734-2A	1	48	HUB & DRUM (Note 2)	†A-65987	1
	BRACKET-handle bar (Note 1)	†65035-3	1	49	WASHER-thrust (inner) (Note 3)	†65024-1	1
12	SCREW-hex. #10-32 x 5/8	80704	2		WASHER-thrust (inner) (Note 2)	†58833-1	1
				50	SHOE-clutch (Note 3)	†65892	3
15	PLATE-handle bar bracket	65032	1	51	SPRING-clutch (Note 3)	†65217	3
16	WASHER	69890	1	52	PLATE-clutch (aluminum) (Note 3)	†65146-1	1
					PLATE-clutch (steel) (Note 3)	†67855-1	1
19	SCREW-hex. hd. (10-32 x 7/8)	82268	2	53	PLATE-clutch	69915	1
20	SCREW-guide bar adjusting	65175-A	1	54	SCREW, hex. hd. #10-32 x 1/2	80361-2	2
21	PIN-bar adjusting	65112-1	1				
22	NUT-lock, 10-32	81206	1				
23	PUMP-automatic oil	A-65212-B	1				
	Includes:						
24	SCREW-pan, 4-40 x 1/4	80919	2				
25	"O" RING	59074	2				
26	BALL	65225	1				
27	GASKET-check valve	65144	1				
28	CAP-check valve	A-68207	1				
	Includes:						
29	SPRING-check valve	65017	1				
30	GASKET	65145	1				
31	SCREW-cam	65136	1				
32	SEAL	65142	1				

\* Denotes new parts † Optional

Note 1 - Use 65035-3 Bracket when using A-68469-2 Handle Bar

Note 2 - When using A-65987 Drum & Hub — Index numbers 45, 46, 47 and 49 are required.

Note 3 - Units with 3-piece clutch include items #50, 51 & 52 and require index #49 - 65024-1 (inner) Thrust Washer.

# Super EZ Automatic & Super XL Mini Automatic

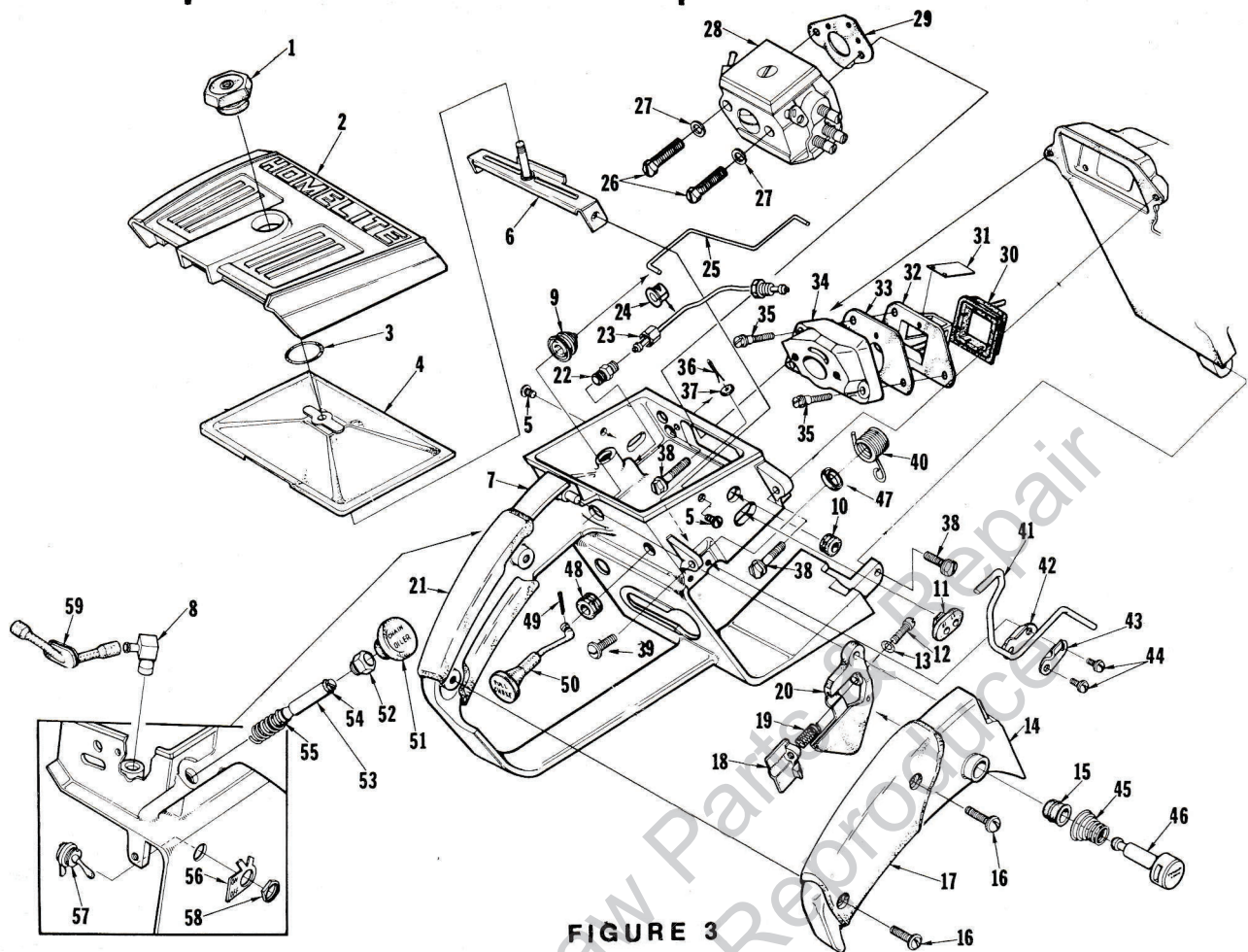


FIGURE 3

No.	Description	Part No.	Qty.	No.	Description	Part No.	Qty.
1	NUT-cover mounting	A-65272	1	29	GASKET-carburetor	65016	1
2	COVER-air filter	65096-6	1	30	RETAINER-reed valve	65011-A	1
3	RING-retaining	58319-A	1	31	REED-valve	65012-A	4
4	FILTER ELEMENT-air	A-65178	1	32	SEAT-reed valve	65010	1
5	SCREW-pan, 8-32 x 3/8	80577	2	33	GASKET-reed valve seat	65014-A	1
6	BRACKET-air filter cover.	A-65123	1	34	MANIFOLD-intake	A-65154-1A	1
7	HANDLE-throttle	A-68267-A	1	35	SCREW-shoulder	64349-A	3
	Includes:			36	PIN-cotter, 1/16 x 1/2	86301	1
8	VALVE-check (inlet)	A-65076	1	37	WASHER-felt	63290	1
9	BOOT-throttle rod	67634	1	38	SCREW-hex, 12-24 x 5/8	80676	3
10	GROMMET-idle adjusting	68197	1	39	SCREW, RD. HD. (10-32 x 7/8)	80040	1
11	GROMMET-"hi-lo"	68196	1	40	SPRING-release valve	65174	1
	LINE-fuel (shown on Fig. 1)	A-68053	1	41	LEVER-release	65173	1
	Includes: GROMMET (Fig. 1)	68046	1	42	PLATE-lever	65092	1
12	SCREW-pan, 6-40 x 1	82198	1	43	CLAMP-lever	65093	1
13	"O" RING	65260	1	44	SCREW-pan, 6-32 x 3/8	80571	2
14	COVER-throttle handle (See Note)	68852-2	1	45	SPRING-throttle latch	64677	1
15	BUSHING	67752	1	46	PIN-throttle latch	65171-A	1
16	SCREW-pan, 8-32 x 1/2	80560	2	47	NUT-hex, #10-32	81010	1
17	GRIP-throttle handle cover	68759	1	48	GROMMET-choke	64862	1
18	STOP-throttle adjustment	65147-A	1	49	PIN-cotter, 1/32 x 1/2	86324	1
19	SPRING-throttle stop	65188	1	50	ROD-choke	65072-1	1
20	TRIGGER-throttle	65031-A	1	51	BUTTON-oil pump	65084	1
21	GRIP-throttle handle	68770	1	52	NUT-plunger	65082	1
22	VALVE-check (outlet)	A-65077-T	1	53	PLUNGER-oil pump	A-68061-T	1
23	LINE-oil	A-65214	1	54	Includes: "O" RING	59074	1
24	GROMMET-oil line	65085	1	55	"O" RING	58406	1
25	ROD-throttle	65056	1	56	PLATE-"on-off"	63910	1
26	SCREW-hex, 10-32 x 1-5/8	82165	2	57	SWITCH-grounding	A-63938	1
27	WASHER-lock, #10	83046	2	58	Includes: NUT-hex	72084-A1	1
28	CARBURETOR- (HDC-4)	A-68415	1	59	LINE-oil	65137	1

Note - 65042-3B Cover for Throttle Handle is to be used for units without Grips.

# Super EZ Automatic & Super XL Mini Automatic

## Tools

24299	ANVIL-crankshaft installation	
24320	BIT- #3 pozidriv	
24295	COLLAR-bearing installation	
24173	DRIVER-check valve (carburetor)	
A-24309	JACKSCREW	
	Includes:	
84035-1	WASHER	
24298	PLUG-bearing & seal installation	
23756	PLUG-bearing installation	
24294	PLUG-needle bearing installation	
24292	PLUG-seal & bearing removal	
A-24290	PULLER-magneto rotor	
	Includes:	
24301	SCREW-rotor remover	(4)
67912	RING-retaining	(4)
23136-1	SLEEVE-bearing & shaft installation	
24300	SLEEVE-crankshaft bearing installation	
24297	SLEEVE-seal protecting (crankcase)	
24291	SLEEVE-seal (drivecase)	
A-24060	WRENCH-clutch (spanner) (3 piece)	
	Includes:	
64309	PIN-dowel	(3)
A-24284	WRENCH-combination	
A-23696-A	WRENCH-spanner ("S" clutch)	
	Includes:	
23717-A	PIN-clutch spanner	(2)

## Paint

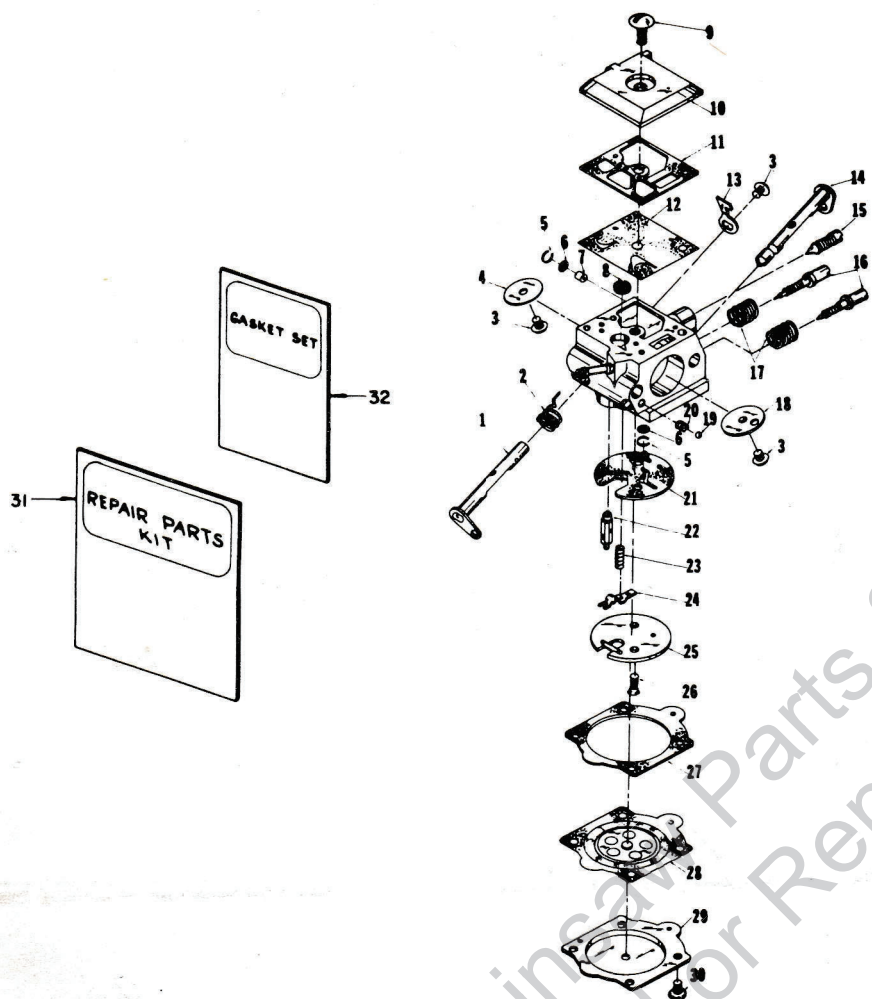
22772	SPRAY CAN-black
23475	SPRAY CAN-red
23560	SPRAY CAN-white

## Accessories

A-68936	CARRYING CASE
24352	COMPOUND-sealing (Duxseal)
A-68955	KIT-anti-kickback guard
A-24338	KIT-fasteners
A-24336	KIT-filter
A-24276	KIT-guide bar plate
A-67947	KIT-heat exchanger
A-24365-A	KIT-ignition (Phelon) units above S/N 91600198
A-24337-A	KIT-ignition (Phelon) units below S/N 91600198
A-24481	KIT-ignition (Wico)
23488-B	KIT-Loctite
A-67050	KIT-repair (Spröcket Nose Bars)
A-24335-A	KIT-starting rope
A-67802	KIT-throttle adj. stop units below S/N 93380678
68848	ROPE-starter, 250' reel #4
A-65256	SPARK ARRESTOR ASSEMBLY

\* Denotes new parts

# Super EZ Automatic & Super XL Mini Automatic



**A-68415 HDC-4**

**HDC-4  
Supersedes  
HDC-1  
&  
HDC-2**

No.	Description	Part No.	Qty.	No.	Description	Part No.	Qty.
1	SHAFT-throttle	67362	1	18	VALVE-choke	67365	1
† 2	SPRING-throttle return	67376	1	† 19	BALL-choke friction	60051	1
† 3	SCREW-valve	67372	3	† 20	SPRING-choke friction	64238	1
4	VALVE-throttle	67363	1	‡ 21	GASKET-circuit	67367-A	1
† 5	RING-screen retaining	67360	2	† 22	VALVE-inlet needle	64229	1
† 6	SCREEN-check valve	67381	2	† 23	SPRING-metering lever	67378	1
7	JET-limiting	68461	1	† 24	LEVER-metering	67383	1
† 8	SCREEN-fuel inlet	64243	1	25	PLATE-circuit	67382	1
9	SCREW-fuel pump	67374	1	26	SCREW-circuit plate	67375	2
10	COVER-fuel pump	67361	1	‡ 27	GASKET-metering diaphragm	64231	1
‡ 11	GASKET-fuel pump	67368	1	† 28	DIAPHRAGM-metering	67371	1
† 12	DIAPHRAGM-fuel pump	67370	1	29	COVER-metering diaphragm	64224	1
13	STOP-throttle	67366	1	30	SCREW-metering cover	64689	4
14	SHAFT-choke	67364	1	31	REPAIR KIT	67384	1
15	SCREW-idle adjustment	67373	1	† 32	GASKET SET	67369-A	1
† 16	NEEDLE-idle adjustment	67379	2		REPAIR KIT, Check Valve	65386	1
† 17	SPRING-needle adjusting	67377	2				

† Indicates contents of Repair Kit #67384

‡ Indicates contents of Gasket Set

