



PART NO. 17773-1  
PRICE 35¢

# PARTS LIST



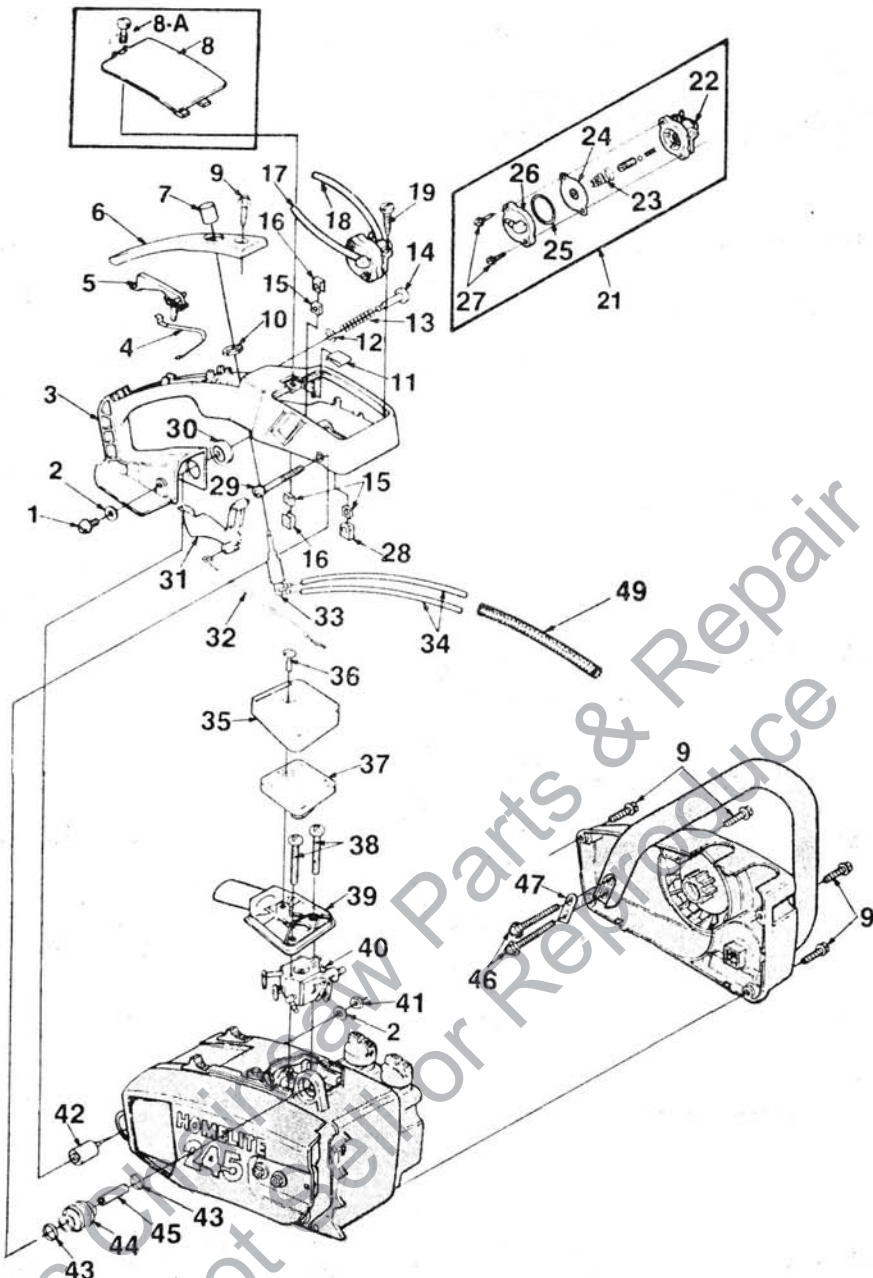
VIBRATION-ISOLATED  
CHAIN SAWS



**HOMELITE-TERRY  
TEXTRON**

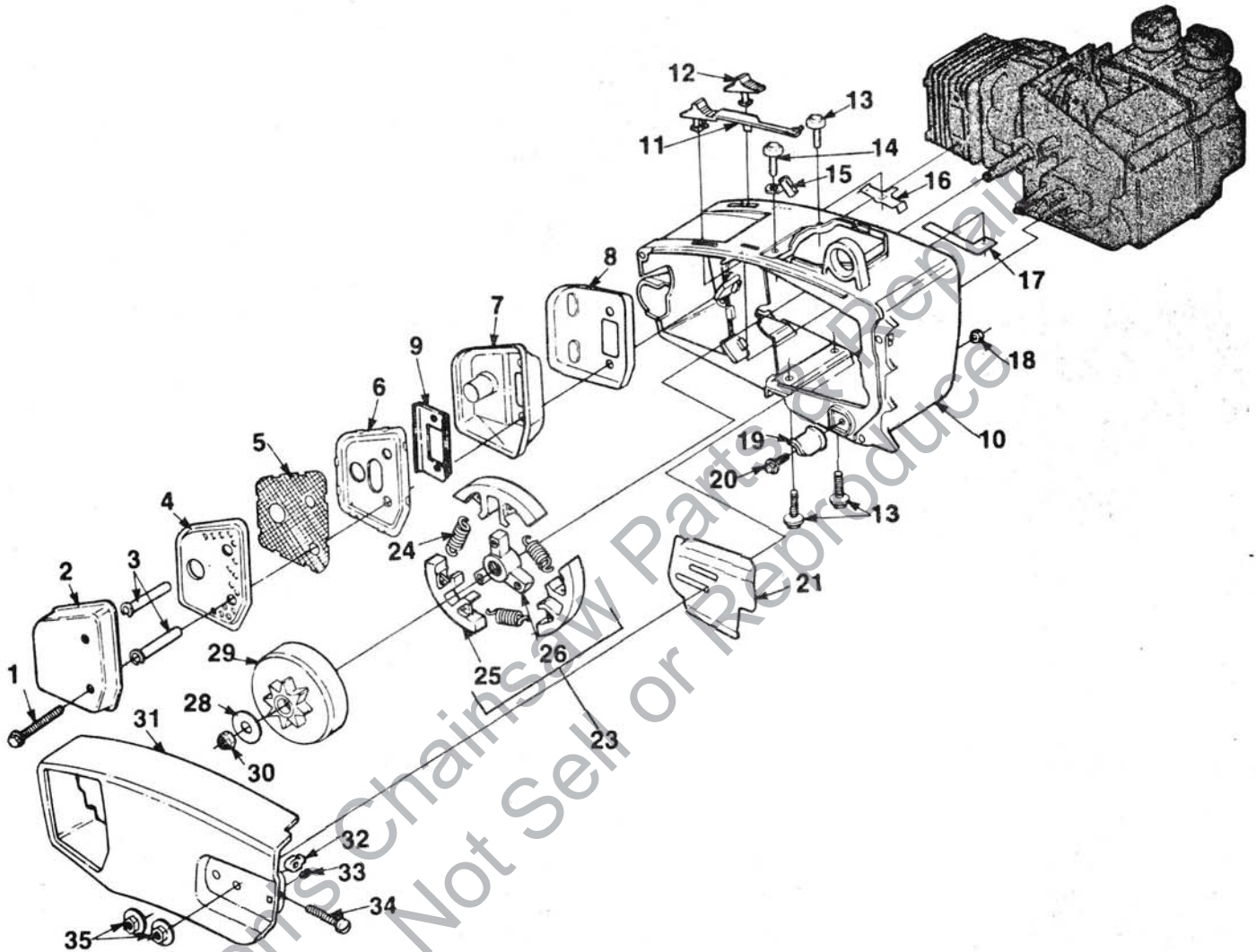
# 245-SL

## FIGURE 1



NO.	DESCRIPTION	PART NO.	QTY.	NO.	DESCRIPTION	PART NO.	QTY.
1	SCREW- 10-32 x 3/8	80870	1	23	SPRING- Oil pump	69447	1
2	WASHER- Flat #10	84003	2	24	PLUNGER- Oil pump	A-95070	1
3	CHAMBER- Carburetor	96224	1	25	"O" RING	96480	1
4	SPRING- Throttle lock	97076	1	26	COVER- Oil pump	94919	1
5	INTERLOCK- Trigger	96213	1	27	SCREW- Plastite #8-16 x 5/8	82380	2
6	COVER- Handle	96225	1	28	RETAINER- Nut	95375	1
7	BUTTON- Oil pump	97072	1	29	SCREW- (10-24 x 1-3/4)	82377	1
8	COVER- Air filter	95089	1	30	GROMMET	96210	1
8A	SCREW- Retaining	97596		31	TRIGGER- Throttle	96209	1
9	SCREW- #10 x 3/4	70771	1	32	CABLE- Control	97096	1
10	NUT- Hex (15/32 x 32)	81266	5	33	PUMP- Manual oil	97081	1
11	NUT- Speed	96576	1	34	TUBING- 6 3/4"	70310-27	2
12	RING- Retaining	58409	1	35	COVER- Air filter	96953	1
13	SPRING- Compression	95020	1	36	SCREW- Retaining	95217	1
14	PIN- Throttle lock	95671	1	37	FILTER- Air	96952	1
15	NUT- Square 10-24	70810	1	38	SCREW- Mach/hex 10-24 x 1 5/8	96176	2
16	RETAINER- Nut	95337	3	39	BASE- Air filter	96953	1
17	LINE- Pulse 3 1/4"	A-96778	2	40	CARBURETOR- (Zama CIS-H8)	A-97167	1
	Includes:		1	41	CARBURETOR- (Walbro WT-19-A)	A-97168-A	1
	SPRING (not shown)	95216		42	NUT- Lock hex (10-24)	81256	1
18	TUBING- (Oil outlet) 4 1/2" (Auto)	70310-18	2	43	ISOLATOR- Shear	96053	1
19	SCREW- Plastic #10 x 5/8	82312	1	44	RING- Vibration isolator	70432-A	2
21	OIL- Pump	A-97523	1	45	ISOLATOR	95868	1
	Includes:			46	SPACER	70433	1
22	BODY- Oil pump	A-97524	1	47	SCREW- Hex (10-24 x 1 1/8)	82218	2
				48	PLATE- Handle bar	96901	1
				49	SLEEVE	97679	1

FIGURE 2

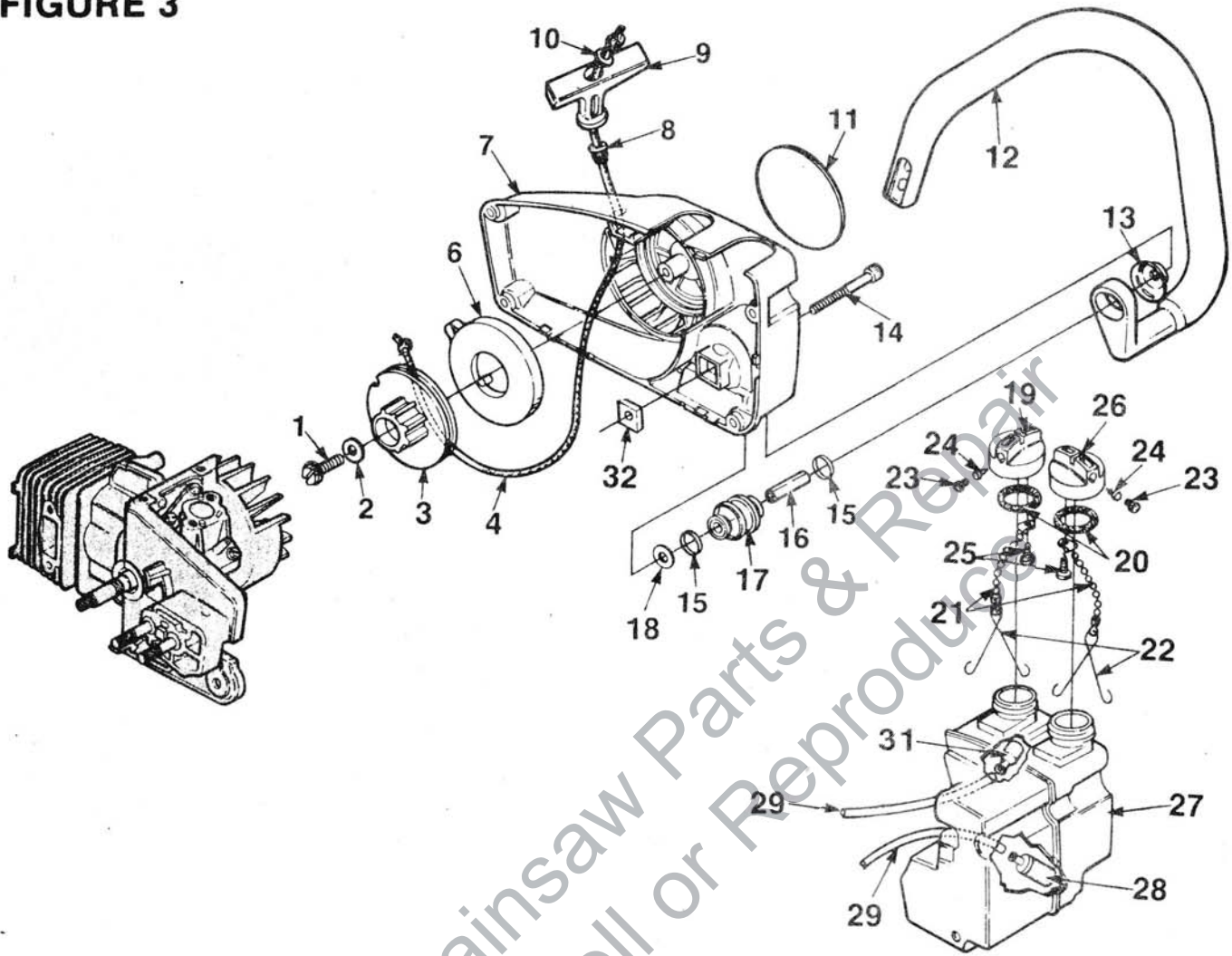


NO.	DESCRIPTION	PART NO.	QTY.	NO.	DESCRIPTION	PART NO.	QTY.
	MUFFLER- Complete	A-96931	1	19	STOP- Chain	95212	1
	Includes:			20	SCREW- Mach. hex 10-24 x 5/8	82298	1
1	SCREW	95005	2	21	PLATE- Guide bar	95390	1
2	CAP- Muffler	94887-1	1			A-79242	1
3	SPACER	93983-08	2	23	CLUTCH- Ass'y		
4	BAFFLE- Muffler	96928	1	Includes:			
5	SCREEN- Spark arrestor	95637-1	1	24	SPRING- Ext.	93638-A	3
6	BAFFLE- Muffler	94888-1	1	25	SHOE- Clutch	79233	3
7	BODY- Muffler	A-96930	1	26	SPIDER- Clutch	79243	1
8	DEFLECTOR- Exhaust	96925	1	28	WASHER- Thrust	95299	1
9	PLATE- Muffler	94889	1	29	SPROCKET & DRUM w/bearing		
10	HOUSING- Engine	94951-A	1	.325P-8T	A79368		1
11	BUTTON- Choke	95050	1	Includes:			
12	BUTTON- Stop switch	95086-A	1	BEARING- Needle	64124		1
13	SCREW- Hex Sems 10-24 x 5/8	88063	3	RACE- Inner	65746-B		1
14	SCREW- 10-24 x .625	88050	1	30	NUT- Lock 5/16-24	81112	1
15	BRACKET- Cable	94864	1	31	COVER- Drivecase	95081-2	1
16	SPRING- Stop switch	95087	1	32	PIN- Guide bar adjusting	69254-1A	1
17	CONTACT- Stop switch	95091	1	33	"E" RING	93574	1
18	NUT- Lock 10-24	81256	1	34	SCREW- Guide bar adjusting	93575	1
				35	NUT- Flange 1/4-20	81258	2

ALWAYS FURNISH MODEL AND SERIAL NUMBER WHEN ORDERING PARTS.

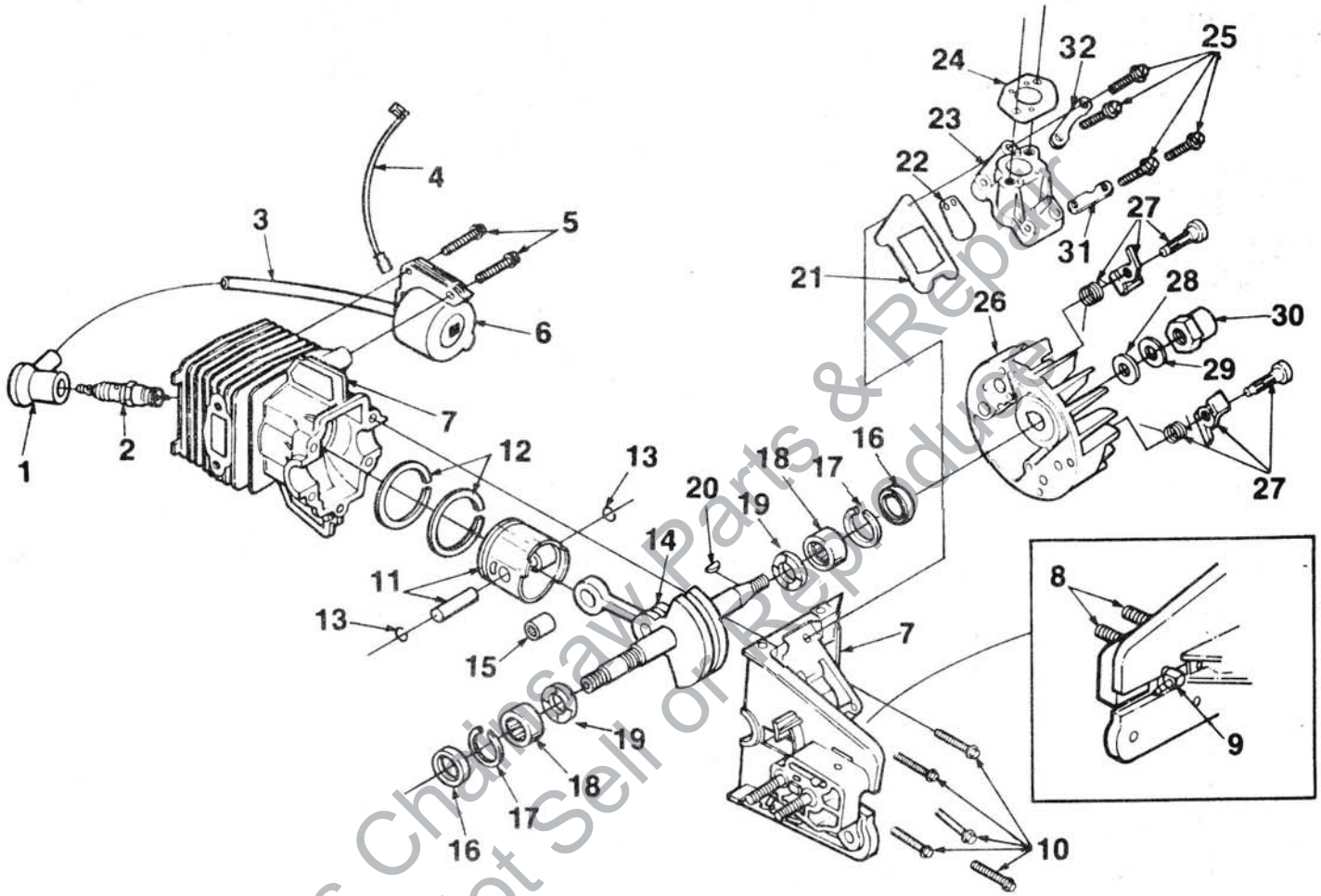
# 245-SL

## FIGURE 3



NO.	DESCRIPTION	PART NO.	QTY.	NO.	DESCRIPTION	PART NO.	QTY.
1	SCREW- #10 x 3/4	70771	1	19	CAP- Oil	A-96957-A	1
2	WASHER- Retainer	94062	1		Includes:		
3	PULLEY- Starter	79298	1	20	GASKET- Filler cap	94494	1
4	ROPE- Starter #4 34"	79256	1	21	BEAD- Chain	69502	1
6	SPRING & CONTAINER	A-95233-A	1	22	RETAINER	96535	1
7	HOUSING- Starter	A-95210-A	1	23	FILTER- Fuel cap	69454	1
8	BUSHING- Starter hsg.	96981-1A	1	24	VALVE	69451	1
9	GRIP- Starter rope	70211	1	25	SCREW- Pan hd.	82256-A	1
10	WASHER- Flat #8	84025	1	26	CAP- Fuel	A-96936	1
11	DECAL- "245"	97052	1		Includes:		
12	HANDLE BAR	95931	1		See Index Numbers 20 thru 25		
13	WASHER- Vibration isolator	70440-A	1	27	TANK- Fuel & oil	A-97141-A	1
14	SCREW- Soc. hd. cap (10-24 x 1 5/8)	96818	1		Includes: Also #19, 26		
15	RING- Vibration isolator	70432-A	2	28	FILTER- Fuel	A-69923	1
16	SPACER	70433	1	29	TUBING- Fuel 6 1/2"	70310-26	2
17	ISOLATOR	95868	1	31	FILTER- Oil	A-68593	1
18	WASHER- Flat	95249	1	32	NUT- Square 10-24	95213	1

FIGURE 4



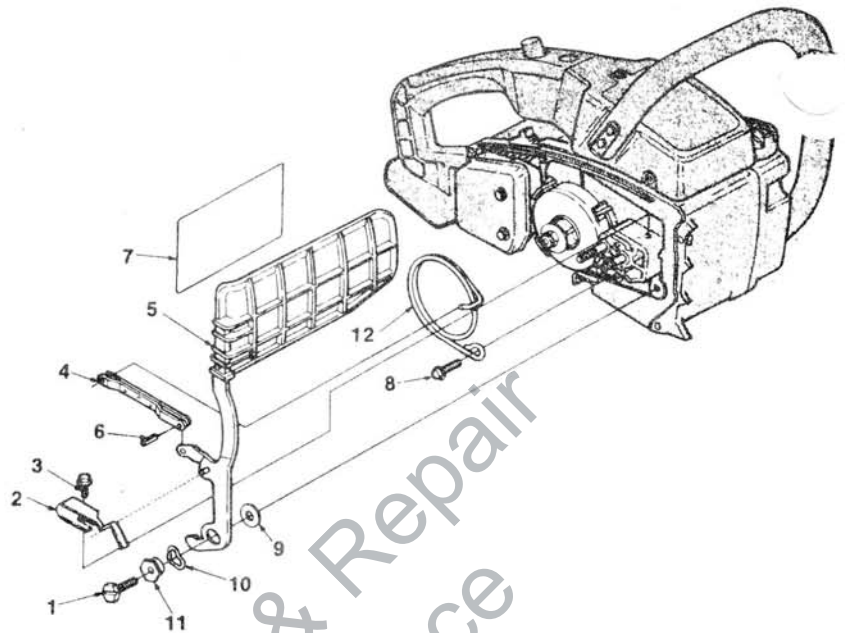
NO.	DESCRIPTION	PART NO.	QTY.	NO.	DESCRIPTION	PART NO.	QTY.
1	TERMINAL- High tension lead	A-94754	1	17	RING- Retaining	68514	2
2	SPARK PLUG (RDJ -7Y)	79252	1	18	BEARING- Needle	12530	2
3	LEAD- High tension (note 1)	69326	1	19	BEARING- Thrust	95492	2
4	LEAD- Ground	A-96378	1	20	KEY- Magneto	69250	1
5	SCREW- Mach., hex hd. 8-32 x 7/8	82430	2	21	GASKET- Manifold	94873	1
6	MODULE- Ignition (Includes items #1 and #3)	94711-A	1	22	REED	95983	1
7	CRANKCASE & CYLINDER Includes:	A-96753-A	1	23	MANIFOLD- Intake	94872-1	1
8	BOLT- Guide bar	96083	2	24	GASKET- Carburetor	95022-A	1
9	FITTING	50558	1	25	SCREW- Hex washer 8-32 x 5/8	82291	4
10	SCREW- 10-24 x 1 1/8	96624	5	26	ROTOR- Magneto	A-96714-A	1
11	PISTON & PIN Includes:	A-96751-A	1	27	PAWL- Starter Kit	A-70285-ID	1
12	PISTON RINGS	94916	2	28	WASHER- Flat 5/16	84065	1
13	RING- Retaining	65261	2	29	WASHER- Lock 5/16	83002	1
14	CRANKSHAFT Includes:	A-96752-A	1	30	NUT- Guide	96255	1
15	BEARING- Needle	97125	1	31	WASHER- Intake manifold	96540	1
16	SEAL- Shaft	94638	2	32	WASHER- Intake manifold	96539	1

NOTE 1: Cut replacement lead to 6 1/2".

# 245-SL

## CHAIN BRAKE

NO.	DESCRIPTION	PART NO.	QTY.
1	SCREW- Hex cap 1/4-20 x 5/8	80048	1
2	CLIP- Retaining	95406	1
3	SCREW- Hex Sems 10-24 x 3/8	88048	1
4	LINK- Pivot	A-70767	1
5	HAND GUARD	A-97179	1
	Includes:		
6	PIN- Roll	95395	1
7	DECAL	96990	1
8	SCREW- Hex Sems 10-24 x 5/8	88050	1
9	WASHER- Thrust	95397	1
10	WASHER- Curved	95486	1
11	CAM- Brake lever	96170	1
12	BAND- Brake	95482	1



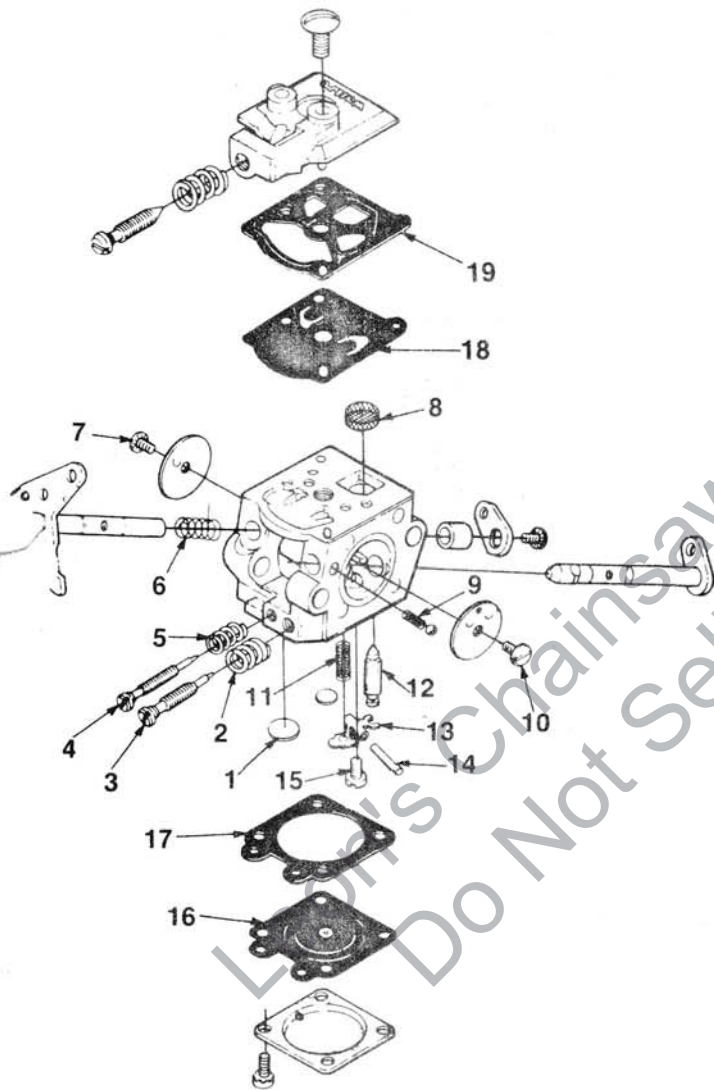
## TOOLS

SILASTIC (Crankcase sealing)	24823
LOCTITE	23488-C
PULLER- Magneto rotor	A-24747-A
Includes:	
BOLT- 5/16-18 x 1 3/4 (1)	80288
NUT- Hex 5/16-18 (2)	81196
WRENCH- Spanner (clutch)	A-93791
Includes:	
PIN- Clutch spanner	23717-A
WRENCH- Combination	A-17705

## ACCESSORIES

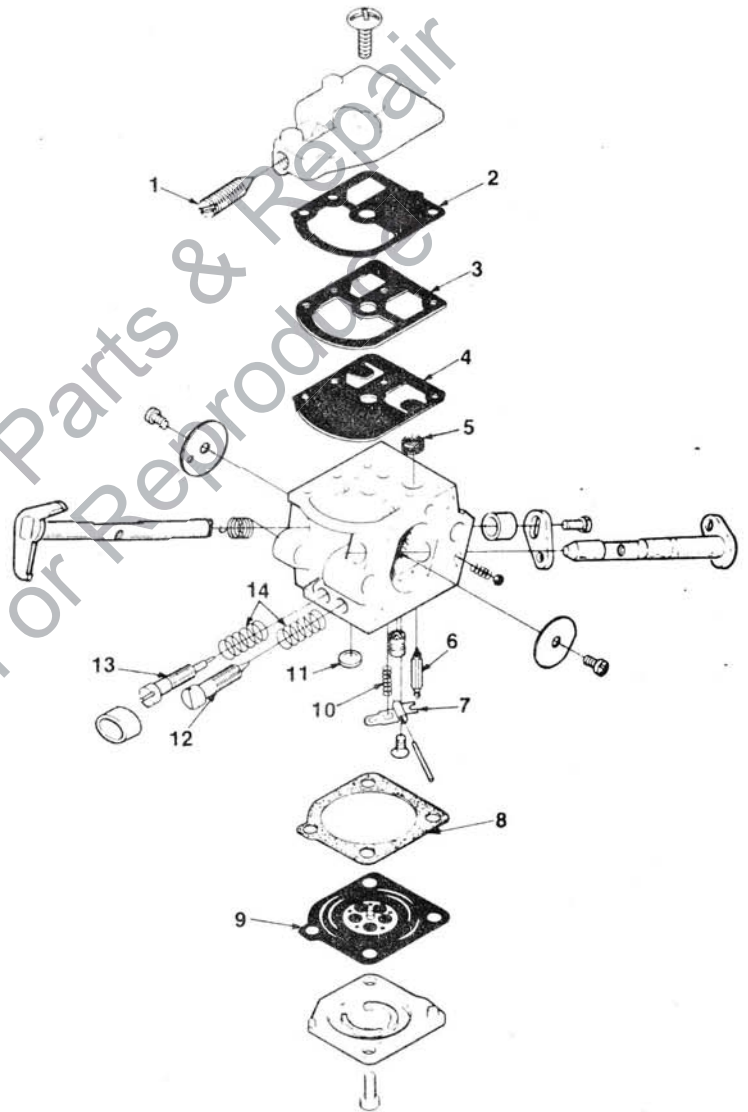
GREASE- Multi use	17193
TUBING- 10 ft. (Fuel & Oil)	70310-99
SAFE•T•TIP- (Standard on units)	A-70776-AT
Includes:	
SCREW- (Special)	93695
TUBING- 10 ft. (pulse line)	95201-99
ROPE- Starter 250 ft. #4	68848
BUMPER- Spiked	A-97046
Includes:	
SCREW- Mach-flat	82415
SCREW- (10-24 x 1/2)	80672
NUT- Locking hex	81256

**CARBURETOR  
A-97168-A  
(Walbro WT-19-A)**



- REPAIR KIT (96986-A) (Includes items 1-19)
- GASKET/DIA-KIT (96944) (Includes items 16-19)
- INLET NEEDLE (96915) (Item # 12)
- LEVER INLET (94547) (Item # 13)
- INLET SCREEN (64243) (Item # 8)
- DIAPHRAGM METERING (94537) (Item # 16)
- GASKET DIAPHRAGM (94536) (Item # 17)
- DIAPHRAGM PUMP (96133) (Item # 18)
- GASKET PUMP (96132) (Item # 19)

**CARBURETOR  
A-97167  
(ZAMA C-1S-H8)**



- REPAIR KIT (96646-A) (Item #1-14)