

CHAIN SAW



PARTS LIST

PRICE .35

PART NO. 24535
REVISION 1

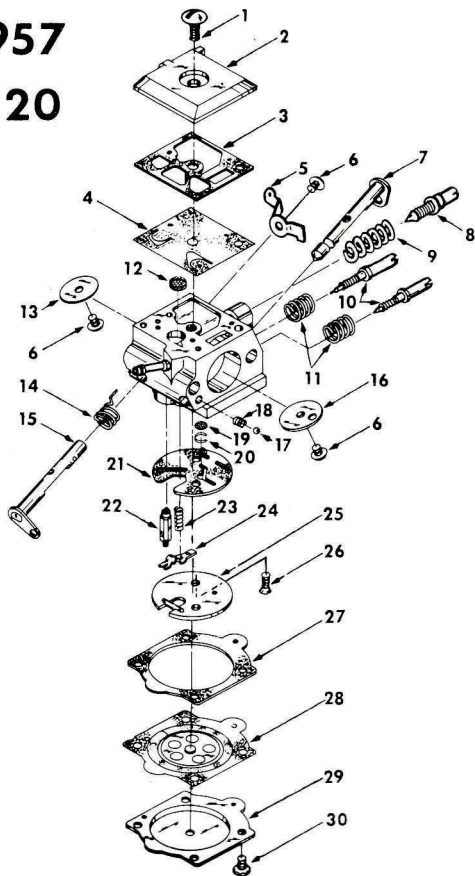
PRINTED IN CANADA

TERRY INDUSTRIES
A DIVISION OF **textron** CANADA LIMITED

180, Labrosse Ave. Pointe-Claire, Que.

A-69957

HDC-20



No.	Description	Part No.	Qty.
1	SCREW-fuel pump cover	67374	1
2	COVER-fuel pump	67361	1
3	GASKET-fuel pump	†67368	1
4	DIAPHRAGM-fuel pump	†67370	1
* 5	STOP-throttle (see note)	69958	1
6	SCREW-valve	†67372	3
7	SHAFT-choke	68632	1
* 8	NEEDLE-idle adjustment (see note)	69959	1
9	SPRING-needle adjustment (idle)	12199	1
10	NEEDLE-mixture adjustment	†68637	2
11	SPRING-needle adjustment	†67377	2
12	SCREEN-fuel inlet	†64243	1
*13	VALVE-throttle (see note)	69961	1
14	SPRING-throttle return	†67376	1
15	SHAFT-throttle	68636	1
16	VALVE-choke	67365	1
17	BALL-choke valve	†60051	1
18	SPRING-choke friction	†64238	1
19	SCREEN-check valve	†67381	1
20	RING-screen retaining	†67360	1
21	GASKET-circuit plate	†67367-A	1
22	NEEDLE-inlet	†64229	1
23	SPRING-metering lever	†12249	1
24	LEVER-metering	†67383	1
25	PLATE-circuit	67382	1
26	SCREW-circuit plate	67375	2
27	GASKET-metering diaphragm	†64231	1
28	DIAPHRAGM-metering	†67371	1
29	COVER-metering diaphragm	64224	1
30	SCREW-metering cover	64689	4
*31	REPAIR KIT (see note)	69960	1
32	GASKET SET	†67369-A	1
	REPAIR KIT-check valve	65386	1

* Denotes new parts
 † Indicates contents of Repair Kit #69960
 ‡ Indicates contents of Gasket Set #67369-A

NOTE:

The following parts are still required on carburetor #A-68536 (HDC-3)

STOP-throttle	68633	VALVE-throttle	67363
NEEDLE-idle adjustment	68631	REPAIR KIT	68634

ACCESSORIES

ARRESTOR-spark	A-68666-1
CAP-muffler - louver type	68547-1
*DECAL SET	A-69048-A
Includes: (four)	
"CHAIN OIL", "ON-OFF", "Starting	
Instructions", and "150 Automatic"	
GREASE-all temp multi purpose	24551
KIT-hand guard	A-69472
Includes:	
LOCKWASHER-internal	83025
SCREW-slotted hex hd., trimmed, 10-24 x 5/8	82249
SPACER	69474
WASHER-cupped spring	69475
KIT-spiked bumper	A-68655
Includes:	
2 NUTS-centerlock hex., 10-32	81206
2 SCREWS-10-32 x 1/2	80648
ROPE-starting, #4 size, 250 ft. reel	68848

PAINT

Paint-black, 12 oz. spray can	22772
Paint-red, 12 oz. spray can	23475
CASE-carrying	A-68936

NOTE: SLEEVE-68617 to be used only on units prior to s/n 42411583

TOOLS

GAGE-feeler (.015 pink plastic)	22486
LOCTITE	23488-B
PLUG-installation bearing	23756
PULLER-magneto rotor	A-24544
Includes:	
4 NUTS-hex centerlock, 10-32	81206
4 SCREWS-hex hd. spinlock, 10-32 x 1-3/8	82162
4 WASHERS-flat, #10	84003-1
SCREWDRIVER	24541
SHIM-(.0125 black plastic)	24306
SPACER-plug	24548
WRENCH-socket	68651
WRENCH-spanner (clutch)	A-23696-A
Includes:	
PIN-clutch spanner	23717-A

NOTE 1 - On cylinder and crankcase A-68643, A-68643-A, and A-68643-B built prior to s/n 42411583, see Branch Service Memo #902CS and Dealer Service Memo #589 for conversion to new design to eliminate use of bumper sleeve 68617 and vent passage.

NOTE 2 - Units prior to s/n 30271001 use: breaker points A-68646 breaker box A-68647

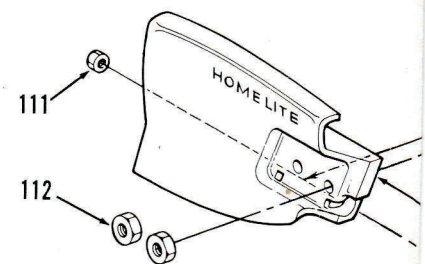
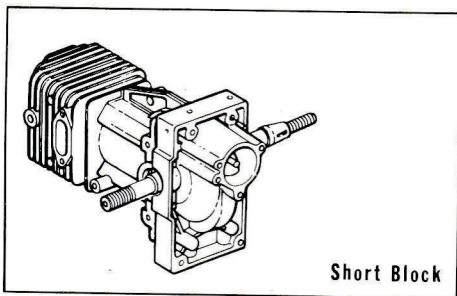
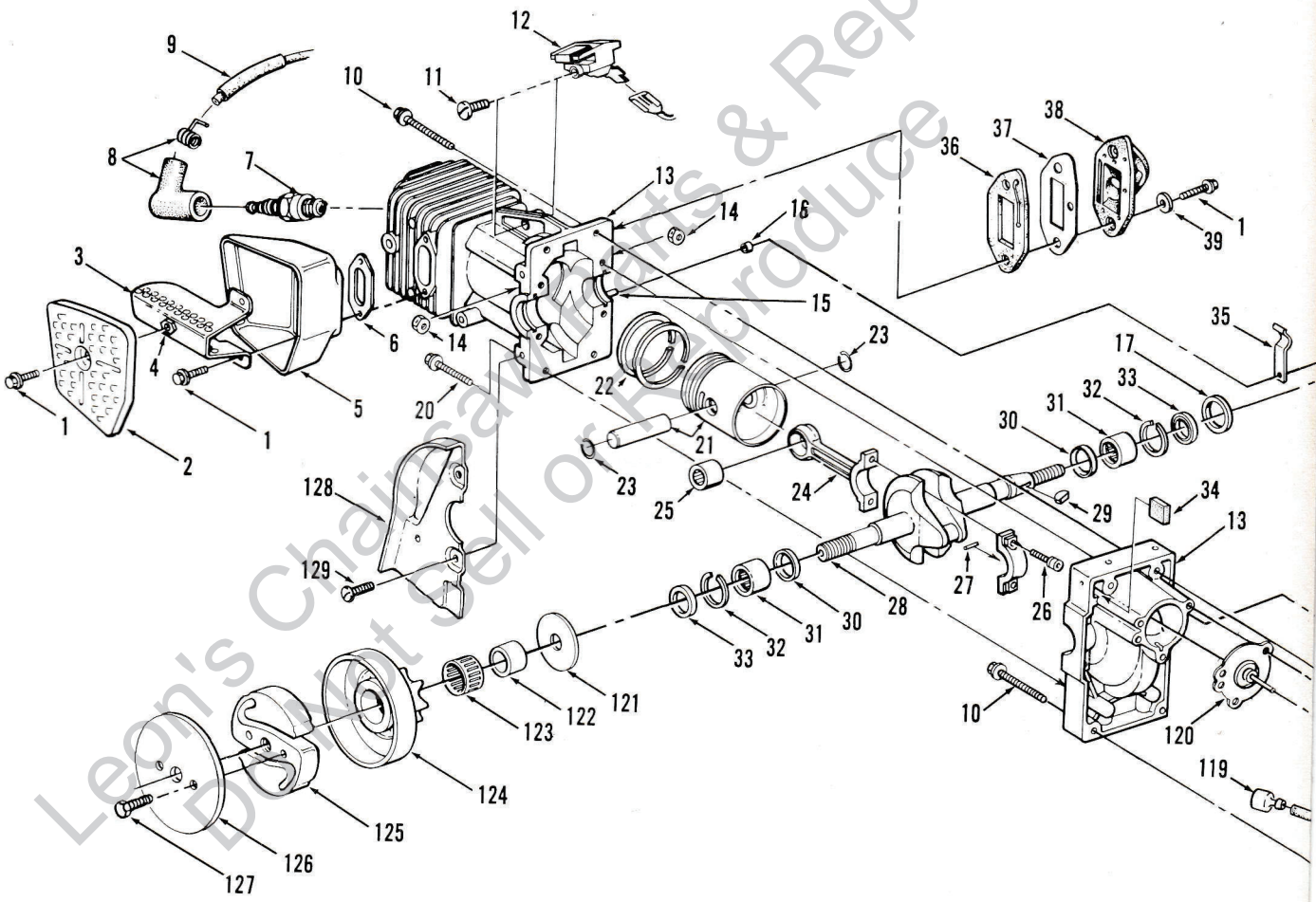
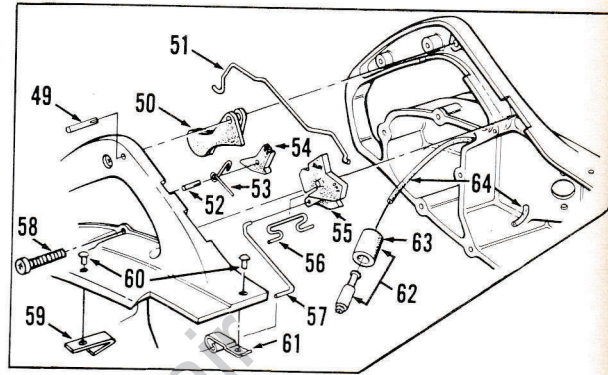
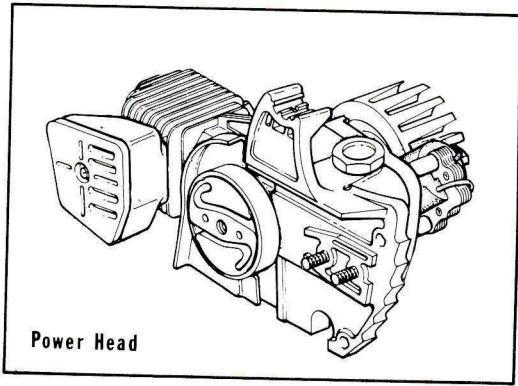
NOTE 3 - Use with washer 64182 only in fuel pick-up A-63920

NOTE 4 - With fuel filler cap A-65283-B use: gasket 68961 and retainer 68751

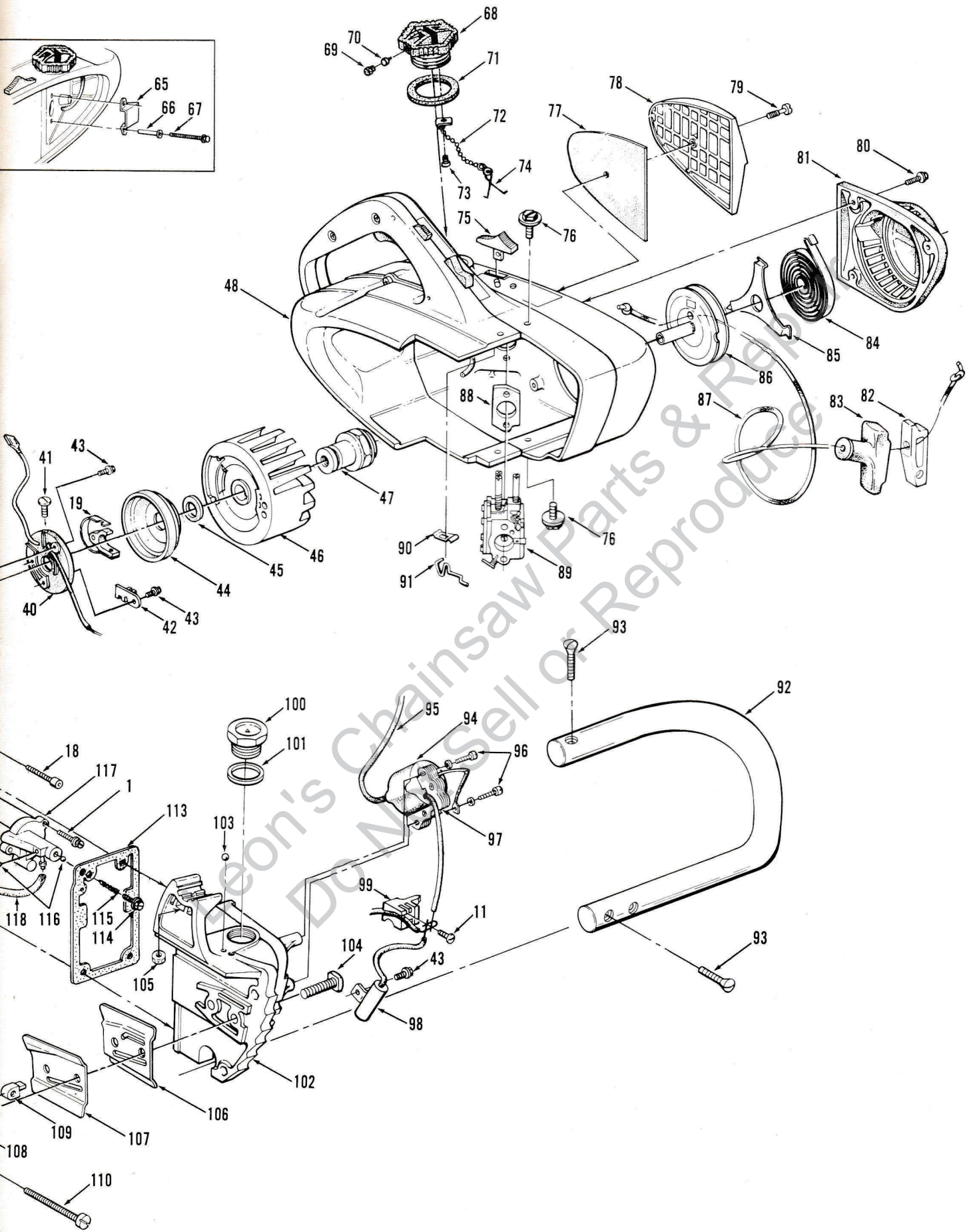
NOTE 5 - Units prior to s/n 23080585 use: screw 82216

NOTE 6 - Units prior to s/n 13350722 use: oil tank A-68609-A

NOTE 7 - Units with oil pump A-68583 and A-68533-A require 2 gaskets 68650-A



150 AUTOMATIC



No.	Description	Part No.	Qty.	No.	Description	Part No.	Qty.
1	SCREW-hex washer hd., 8-32 x 1/2	80983	7	65	DEFLECTOR-air	68534	1
2	CAP-muffler (diffuser type)	68956-1	1	66	BUSHING-flanged	68560	2
	CAP-muffler - accessory - louver type	68547-1	1	67	SCREW-hex washer hd., 10-32 x 2	82224	2
	ARRESTOR-spark (accessory-not shown)	A-68666-1	1	68	CAP-fuel filler	A-69500	1
3	BAFFLER-muffler	A-68564	1		Includes:		
	Includes:			69	FILTER-filler cap	69454	1
4	NUT-clinch, 8 x 32	81224	1	70	VALVE-check	69451	1
5	BODY-muffler	68545-1	1	71	GASKET-fuel filler cap (note 4)	69501	1
6	GASKET-muffler	68542	1	72	CHAIN-bead	69502	1
7	SPARK PLUG	68616-S	1	73	SCREW-pan hd., 6 x 1/4 Plastite	82256	1
8	TERMINAL-high tension lead	A-55373-A	1	74	RETAINER-filler cap (note 4)	69503	1
9	SLEEVE-wire (fibreglass)	68625	1	75	BUTTON-choke	68551	1
10	SCREW-hex washer hd., 8-32 x 1-1/4	82194	4	*76	SCREW-Sems hex hd., slotted, 10-24 x 5/8	69335-A	4
11	SCREW-pan hd., Plastite, 6 x 3/8	82215	2	77	ELEMENT-air filter	68532	1
12	TERMINAL & INSULATION	A-69341	1	78	COVER-air filter	68531-A	1
	SHORT BLOCK	A-68624-C	1	79	SCREW-filter cover retaining	68535	1
	Includes:			80	SCREW-hex washer hd.	80983	3
13	CYLINDER & CRANKCASE (note 1)	A-68643-C	1		STARTER-complete	A-68611-A	1
	Includes:				Includes:		
14	NUT-hex centerlock, 8-32	81223	4	81	HOUSING-starter	A-68523-A	1
15	PIN-dowel	64309	1	*82	INSERT-starting rope	68837-A	1
16	SEAL-post	69445	1	*83	GRIP-starting rope	64155-B	1
*17	SEAL	69973	1	84	SPRING-rewind	65107	1
18	SCREW-Sems hex hd., 8-32 x 1	88021	4	85	RETAINER-rewind spring	68612	1
19	POINTS-breaker (note 2)	A-69483	1	86	PULLEY-starter	A-68645	1
20	SCREW-hex washer hd., 8-32 x 3/4	82248	2	87	ROPE-starter, #4 (42" in length)	68528	1
21	PISTON & PIN	A-68642	1	88	SPACER-carburetor	68537	1
	Includes:			89	CARBURETOR-Walbro HDC 20	A-69957	1
22	RING-piston	68508	2	90	SPRING-choke	68584-A	1
23	RING-retaining	64813	2	91	ROD-choke	68552	1
24	ROD-connecting	A-68518	1	92	HANDLE BAR	A-68599-1	1
	Includes:			93	SCREW-hex washer hd.	82218	3
25	BEARING-needle	68512	1	94	COIL-ignition	A-68649	1
*26	SCREW-cap hex socket hd.	69919	2		Includes:		
27	BEARING-needle (set 18)	A-68511	1	95	LEAD-hi tension	68629	1
28	CRANKSHAFT	68507-1	1		RETAINER-coil (not shown)	68257	1
29	KEY-woodruff	65126	1	96	SCREW-hex washer hd.	82248	2
30	BEARING-thrust	68509	2	97	CORE-coil	A-68648	1
31	BEARING-roller	68513	2		Includes:		
32	RING-retaining	68514	2		RETAINER-coil (not shown)	68257	1
33	SEAL-shaft	68519	2	98	CONDENSER	68543	1
34	COVER-vent	68990	1	99	BLOCK-junction	68613	1
35	CLAMP-hi-tension lead	68623	1	100	CAP-oil filler	A-68557	1
36	GASKET-intake	68464	1		Includes:		
37	COVER-pulse	68671	1	101	GASKET-oil filler cap	68533	1
*38	MANIFOLD-intake	A-68520-1	1	*102	TANK-oil (note 6)	A-68609-2A	1
39	WASHER-flat, 7/16 x 3/16 x 1/16	84103	2		Includes:		
40	BOX-breaker (note 2)	A-69533	1	103	BALL-stainless steel	55217	1
	Includes:			104	BOLT-guide bar, 5/16	58753	2
	SEAL-post (index #16)	69445	1	105	NUT-hex centerlock, 10-24	81208	1
	SEAL (index #17)	69973	1	*106	PLATE-guide bar (inner)	67300-A	1
41	SCREW-pan hd. Plastite, 6 x 3/8	82215	1	*107	PLATE-guide bar (outer)	67299-A	1
42	TERMINAL-ground	68591	1	108	COVER-drivecase	A-68614-1	1
43	SCREW-pan hd., 6-32 x 3/8	80571	3		Includes:		
44	COVER-breaker box	A-68592	1	109	PIN-guide bar adjusting	65112-1	1
	Includes:			110	SCREW-guide bar adjusting	65175-A	1
45	SEAL-breaker box cover	68618-A	1	111	NUT-hex centerlock, 10-32	81206	1
46	ROTOR	68530	1	112	NUT-hex, 5/16-18	81196	2
47	NUT-rotor (left hand thread)	A-68610	1	*113	GASKET-oil tank	68589-B	1
*48	ENGINE COVER	A-68644-1	1	114	SCREW-oiler spring	68619	1
	Includes:			115	SPRING-check valve	68570	1
49	PIN-trigger	68548	1	116	BALL-check valve	60051	2
50	TRIGGER-throttle	68549	1	117	PUMP-automatic oil (note 7)	A-69363	1
51	ROD-throttle	68550	1	118	LINE-oil pick-up	68561	1
52	PIN-trigger latch	68641	1	119	FILTER-oil	A-68593	1
53	SPRING-throttle latch	68626	1	*120	PLUNGER-oil pump (note 7)	A-68583-B	1
54	LATCH-throttle	68635	1	121	WASHER-thrust	65064	1
55	BUTTON-stop switch	68580	1	122	RACE-inner	65746-A	1
56	SPRING-switch	68581	1	123	BEARING-roller	64124	1
57	LINK-grounding switch	68576	1	124	SPROCKET & DRUM	A-65033	1
58	SCREW-fil. hd., 8-32 x 5/8	82146	8	*	CLUTCH & PLATE	A-69953	1
59	CLAMP-hi tension lead	68639	1		Includes:		
60	RIVET-tubular (steel)	85061	2	125	CLUTCH	68362-1A	1
61	CONTACT	68577	1	126	PLATE-clutch	69915	1
*62	FILTER-fuel	A-69923	1	127	SCREW-hex hd., 10-24 x 1/2, stainless steel	82286	2
	Includes:			128	SHIELD-sawdust	68596	1
63	ELEMENT-felt filter (note 3)	64083-1	1	129	SCREW-pan hd., Taptite, 8-32 x 5/16	82195	3
64	LINE-fuel pick-up	68562	1				

* Denotes new parts

Part No.	Description	Qty.	Part No.	Description	Qty.	Part No.	Description	Qty.
12199	Spring-needle	1	68513	Bearing-roller	2	A-68645	Pulley-starter	1
12249	Spring-metering lever	1	68514	Ring-retaining	2	A-68648	Core-coil	1
22486	Gage-feeler	1	A-68518	Rod-connecting	1	A-68649	Coil-ignition	1
22772	Paint-black	1	68519	Seal-shaft	2	68651	Wrench-socket	1
23475	Paint-red	1	*A-68520-1	Manifold-intake	1	A-68655	Kit-spiked bumper	1
23488-B	Loctite	1	A-68523-A	Housing-starter	1	A-68666-1	Arrestor-spark	1
A-23696-A	Wrench-spanner	1	68528	Rope-starter #4	1	68671	Cover-pulse	1
23756	Plug-installation	1	68530	Rotor	1	*68837-A	Insert-starting rope	1
23717-A	Pin-clutch spanner	1	68531-A	Cover-air filter	1	68848	Rope-starting	1
24306	Shim	1	68532	Element-air filter	1	A-68936	Case-carrying	1
24541	Screwdriver	1	68533	Gasket-oil filler cap	1	68956-1	Cap-muffler	1
A-24544	Puller-magneto rotor	1	68534	Deflector-air	1	68990	Cover-vent	1
24548	Spacer-plug	1	68535	Screw-filter cover	1	*A-69048-A	Decal Set	1
24551	Grease	1	68537	Spacer-carburetor	1	A-69341	Terminal & Insulation	1
55217	Ball-stainless steel	1	68542	Gasket-muffler	1	A-69363	Pump-automatic oil	1
A-55373-A	Terminal-high tension	1	68543	Condenser	1	69445	Seal-post	1
58753	Bolt-5/16	2	68545-1	Body-muffler	1	69451	Valve-check	1
60051	Ball-check valve	3	68547-1	Cap-muffler	1	69454	Filter-filler cap	1
64083-1	Element-felt filter	1	68548	Pin-trigger	1	A-69472	Kit-hand guard	1
64124	Bearing-roller	1	68549	Trigger-throttle	1	69474	Spacer	1
*64155-B	Grip-starting rope	1	68550	Rod-throttle	1	69475	Washer-cupped spring	1
64224	Cover-metering	1	68551	Button-choke	1	A-69483	Points-breaker	1
64229	Needle-inlet	1	68581	Spring-switch	1	A-69500	Cap-fuel filler	1
64231	Gasket-metering	1	68584-A	Spring-choke	1	69501	Gasket-fuel filler	1
64238	Spring-choke	1	68552	Rod-choke	1	69502	Chain-bead	1
64243	Screen-fuel inlet	1	A-68557	Cap-oil filler	1	69503	Retainer-filler cap	1
64309	Pin-dowel	1	68560	Bushing-flanged	2	A-69533	Box-breaker	1
64689	Screw-metering cover	4	68561	Line-oil pick-up	1	69915	Plate-clutch	1
64813	Ring-retaining	2	68562	Line-fuel pick-up	1	A-69923	Filter-fuel	1
A-65033	Sprocket & Drum	1	A-68564	Baffle-muffler	1	*A-69953	Clutch & Plate	1
65064	Washer-thrust	1	68570	Spring-check valve	1	A-69957	Carburetor-Walbro	1
65107	Spring-rewind	1	68576	Link-grounding	1	*69958	Stop-throttle	1
65112-1	Pin-guide bar	1	68577	Contact	1	*69959	Needle-idle adjustment	1
65126	Key-woodruff	1	68580	Button-stop switch	1	*69960	Repair Kit	1
65175-A	Screw-guide bar	1	*A-68583-B	Plunger-oil pump	1	*69961	Valve-throttle	1
65386	Repair Kit	1	*68589-B	Gasket-oil tank	1	*69973	Seal	1
65746-A	Race-inner	1	68591	Terminal-ground	1	FASTENING PARTS		
*67299-A	Plate-guide bar	1	A-68592	Cover-breaker box	1	*69335-A	10-24 x 5/8	4
*67300-A	Plate-guide bar	1	A-68593	Filter-oil	1	*69919	Screw-cap socket hd.	2
67360	Ring-screen retaining	1	68596	Shield-saw dust	1	80571	6-32 x 3/8	3
67361	Cover-fuel pump	1	A-68599-1	Handle Bar	1	80648	10-32 x 1/2	2
67365	Valve-choke	1	*A-68609-2A	Tank-oil	1	80983	8-32 x 1/2	10
67367-A	Gasket-circuit plate	1	A-68610	Nut-rotor	1	81196	Nut-5/16-18	2
67368	Gasket-fuel pump	1	A-68611-A	Starter-complete	1	81206	Nut-10-32	7
67369-A	Gasket Set	1	68612	Retainer-rewind	1	81208	Nut-10-24	1
67370	Diaphragm-fuel pump	1	68613	Block-junction	1	81223	Nut-8-32	4
67371	Diaphragm-metering	1	A-68614-1	Cover-drivecase	1	81224	Nut-8-32	1
67372	Screw-valve	3	68616-S	Spark Plug	1	82146	8-32 x 5/8	8
67374	Screw-fuel pump	1	68618-A	Seal-breaker box	1	82162	10-32 x 1-3/8	4
67375	Screw-circuit plate	2	68619	Screw-oiler spring	1	82194	8-32 x 1-1/4	4
67376	Spring-throttle	1	68623	Clamp-hi tension	1	82195	8-32 x 5/16	3
67377	Spring-needle adj.	2	A-68624-C	Short Block	1	82215	6 x 3/8	3
67381	Screen-check valve	1	68625	Sleeve-wire	1	82218	Screw-hex washer hd.	3
67382	Plate-circuit	1	68626	Spring-throttle latch	1	82224	10-32 x 2	2
67383	Lever-metering	1	68629	Lead-hi tension	1	82248	8-32 x 3/4	4
68257	Retainer-coil	1	68632	Shaft-choke	1	82249	10-24 x 5/8	1
68362-1A	Clutch	1	68635	Latch-throttle	1	82256	6 x 1/4	1
68464	Gasket-intake	1	68636	Shaft-throttle	1	82286	10-24 x 1/2	2
68507-1	Crankshaft	1	68637	Needle-mixture	2	83025	Washer-lock	1
68508	Ring-piston	2	68639	Clamp-hi tension lead	1	84003-1	Washer-#10	4
68509	Bearing-thrust	2	68641	Pin-trigger latch	1	84103	7/16 x 3/16 x 1/16	2
A-68511	Bearing-needle	1	A-68642	Piston & Pin	1	85061	Rivet-tubular	2
68512	Bearing-needle	1	A-68643-C	Cylinder & Crankcase	1	88021	8-32 x 1	4
			A-68644-1	Engine Cover	1			

* Denotes new parts